

# RVH8000

TOPMOUNT KITCHEN SINK

**RUVATI**<sup>®</sup>  
SPECIFICATION SHEET

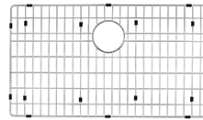
## MATERIAL

True 16 Gauge Thickness  
Premium T304 Grade Stainless Steel  
18/10 Chromium/Nickel Content  
Commercial Brushed Finish



## FEATURES

- Heavy duty sound guard padding and undercoating
- Slanted bottom with elegant drain grooves for easy draining
- Zero radius inside corners



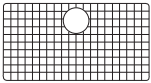
## IN THE BOX



Basket Strainer  
[RVA1025]



Mounting Clips  
[RVA11042]



Rinse Grid  
[RVA68005]



Cut-out  
Template

## NOMINAL DIMENSIONS

**Exterior:** 33" (wide) x 22" (front-to-back)  
**Interior Bowl:** 31" (wide) x 18" (front-to-back)  
**Bowl Depth:** 10"  
**Minimum Cabinet Size:** 36" wide  
**Drain Hole Size:** 3½"

### Installation Type:

Topmount

### Inside Corners:

Zero Radius

### Drain Location:

Rear Center

**RUVATI USA**  
www.ruvati.com

Phone: 1.855.478.8284  
Email: support@ruvati.com

# OPTIONAL ACCESSORIES (SOLD SEPARATELY)

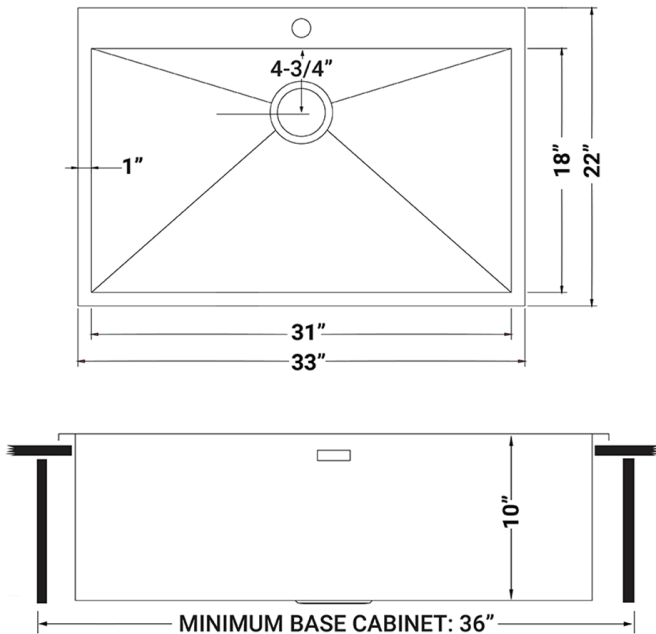


Deep Basket  
Disposal Flange  
[RVA1049ST]



Drain Cover  
[RVA1035]

## DIMENSIONS



Register your product at [www.ruvati.com/register](http://www.ruvati.com/register).