

# Silver Series 180° Area Light 36w



## DESCRIPTION:

Touch-Plate's 180° Area Lights are designed to offer better security, more lumens, and higher cost savings. Our 180° Area Lights can offer energy savings of 70% or greater over traditional metal halide or high pressure sodium lighting. Our LEDs are optimal for retrofitting canopy lights, wall packs and area lights.

## PRODUCT FEATURES:

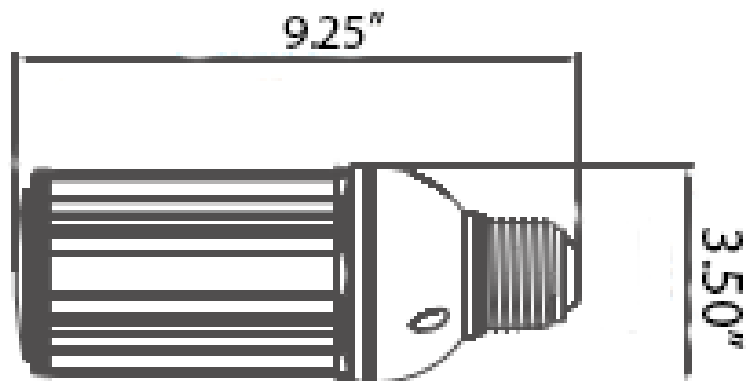
- Cooling heatsink fins
- >6kv surge protection
- Flame retardant material
- Lifetime of 50,000 hrs or greater
- UL Listed (E468797)
- DLC Listed
  - BWHC-36w (E39 Only)
- 5 Year Limited Warranty

## SPECIFICATIONS:

- Wattage: 36w
- Lumens: 4,500lm (approx >125lm/w)
- Lighting Equivalent: 75w-100w (MHL/HPS)
- IP Rating: IP64
- LED Chips: Samsung
- PF: >0.9
- Beam Angle: 180°

## PHYSICAL PARAMETERS:

- Dimensions
  - Diameter: 3.50"
  - Length: 9.25"
- Weight
  - 1.6 lbs





# Silver Series 180° Area Light

## ORDERING GUIDE

LED Type <b>XXX -</b>	Lumens - Wattage <b>XXJ - JJJ -</b>	CCT <b>XX</b>	Voltage <b>X -</b>	Base <b>X</b>
<ul style="list-style-type: none"> <li><b>18A</b> 180° Area Light</li> </ul>	<ul style="list-style-type: none"> <li><b>045-036</b> 4,500lm - 36w</li> </ul>	<ul style="list-style-type: none"> <li><b>35</b> 3500k</li> <li><b>40</b> 4000k</li> <li><b>45</b> 4500k</li> <li><b>50</b> 5000k</li> </ul>	<ul style="list-style-type: none"> <li><b>U</b> 120-277v</li> </ul>	<ul style="list-style-type: none"> <li><b>2</b> 7\$()</li> <li><b>3</b> E39</li> </ul>

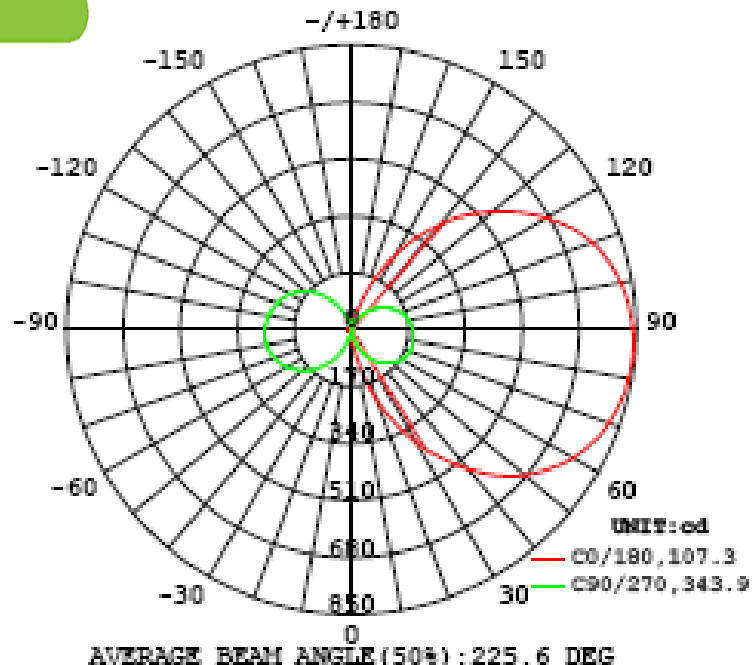
## ADDITIONAL ORDERING OPTIONS

(specified at time of order)

### Lens Options

- Clear Glass (Standard)
- Milky PC

## PHOTOMETRIC



# Silver Series 180° Area Light

## INSTALLATION INFORMATION (WIRING)

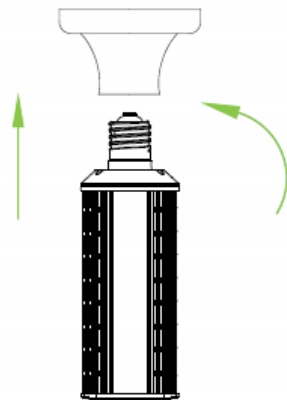
This product must be installed in accordance with National Electrical Code(NEC) and/or applicable local codes, by a qualified electrician.

### **DANGER - RISK OF SHOCK - DISCONNECT POWER BEFORE INSTALLATION**

- Bypass the ballast by making the necessary 'HOT' (Black or Brown) , 'Neutral' ( White or Blue), and 'Ground' (Green) connections in an approved junction box.
- Turn the bulb into the light socket.
- Once tightened adjust the position of the bulb so the light is shining out of the housing.

## INSTALLATION INFORMATION

### Lamp Installation



### Support Stand Installation

