



User Power and Connectivity

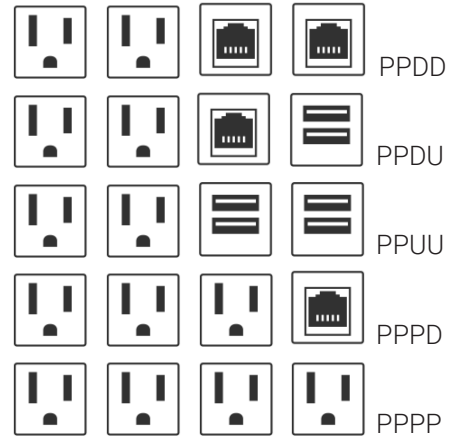
INNOVANT

Flush

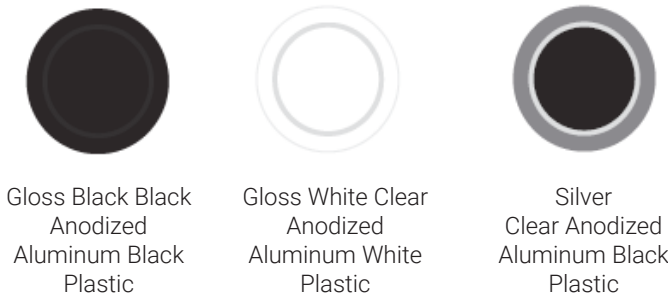


Flush is a flat mount connectivity center that features patented spill proof outlets - a design that delivers a groundbreaking, UL Listed solution parallel to any work surface. Constructed out of anodized aluminum and a painted, steel faceplate, Flush is a robust, scalable and customizable power/data solution.

Standard configurations



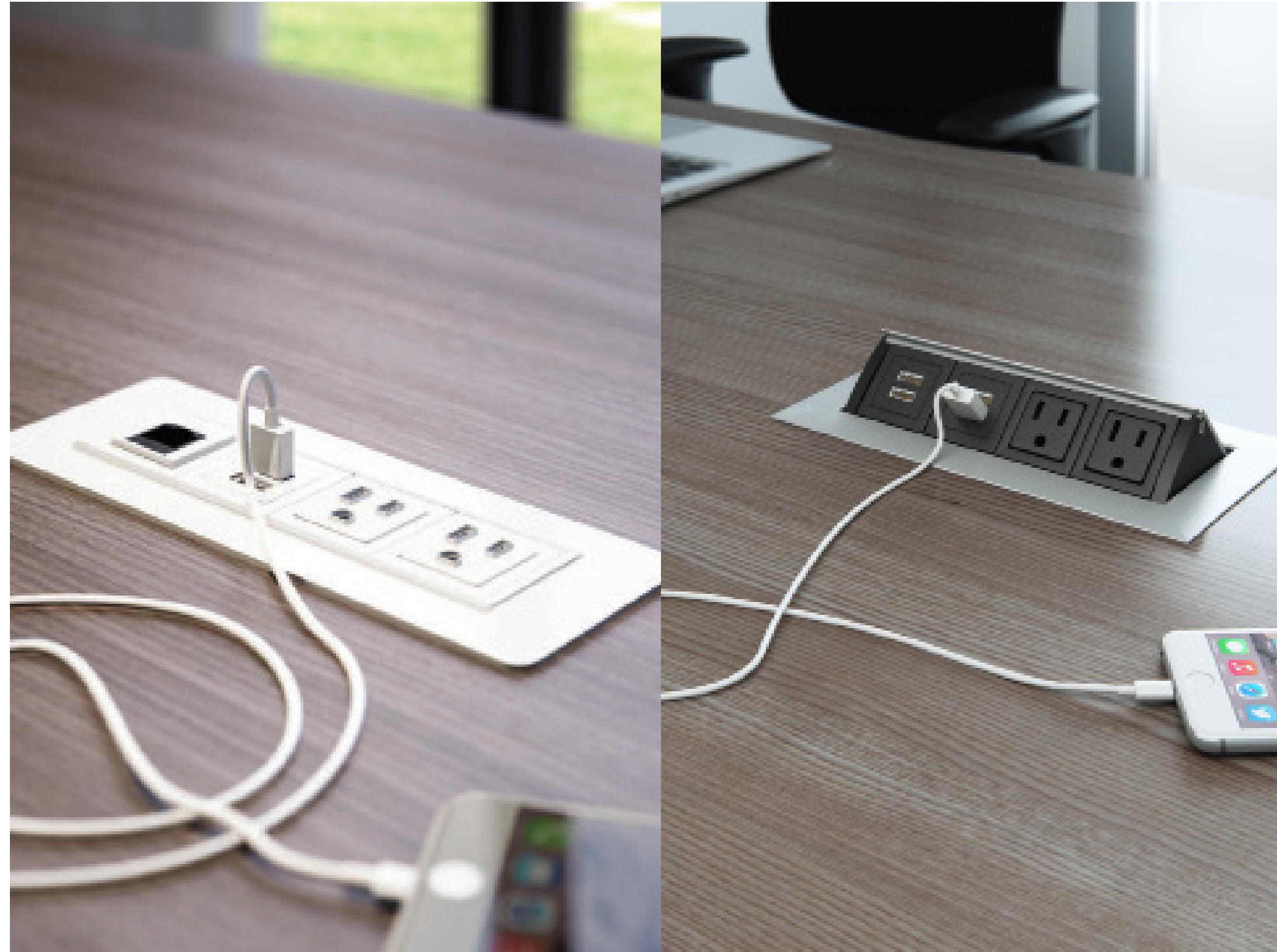
Finish



Gloss Black Black Anodized Aluminum Black Plastic

Gloss White Clear Anodized Aluminum White Plastic

Silver Clear Anodized Aluminum Black Plastic

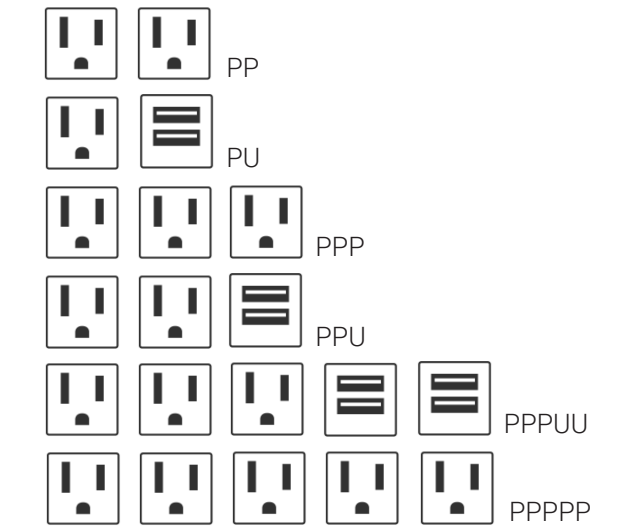


Conceal

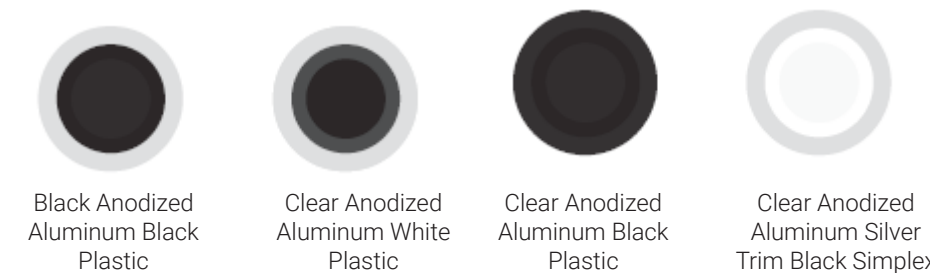


Retractable and durably constructed, Conceal is highly functional with a fluid, one touch door that remains open during use.

Standard configurations



Finish



Black Anodized Aluminum Black Plastic

Clear Anodized Aluminum White Plastic

Clear Anodized Aluminum Black Plastic

Clear Anodized Aluminum Silver Trim Black Simplex

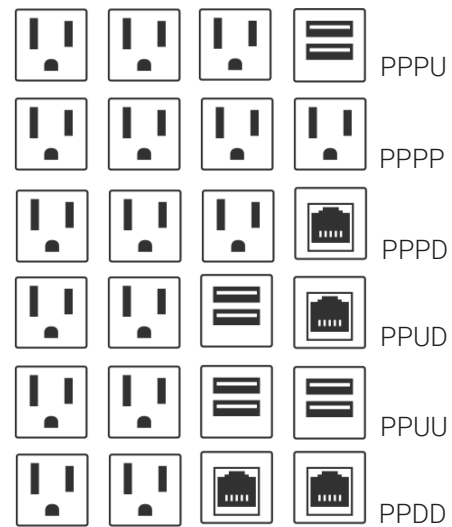
Retract



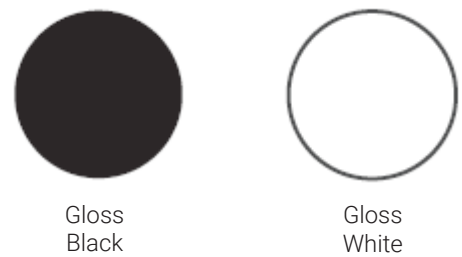
In Surface

From felt to color and pattern, Retract's customizable top - trimmed with a high-gloss plastic finish - is all about creative expression. Retract pops up to reveal a dynamic range of power, data and USB configurations - including the 2 port, 2 AMP per port, USB duplex that allows users to charge tablets or other USB-friendly electronics.

Standard configurations



Finish



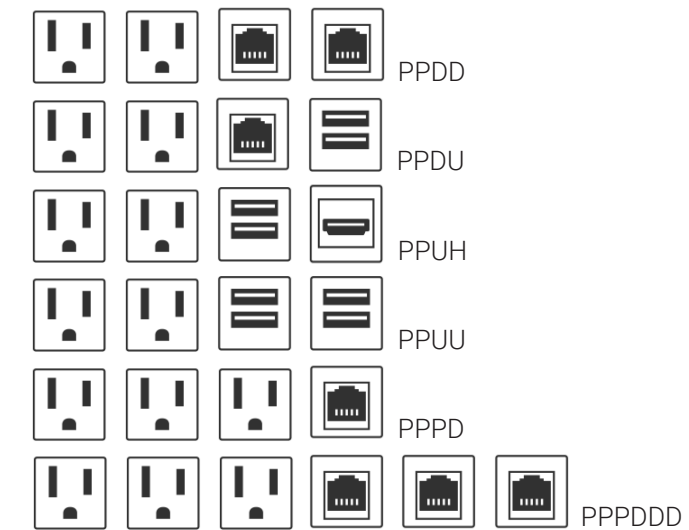
Hatch



In Surface

Hatch is a simple, yet stylish way to bring power and data up to the work surface with anodized aluminum construction. Hatch keeps cable clutter out of sight by allowing use while the lid is shut.

Standard configurations



Finish

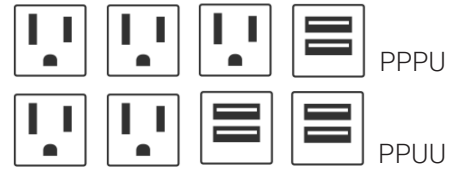


Hatch Qi

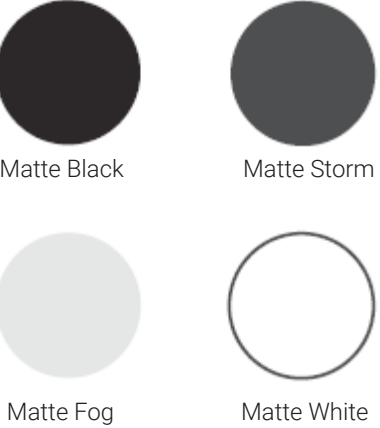


Hatch Qi hides messy cables out of sight and allows wireless charging for up to 3 smart phones at a time. It even features indicator lights so you always know you're getting the power you need. However you work—and who ever joins in—Hatch Qi is one great solution.

Standard configurations



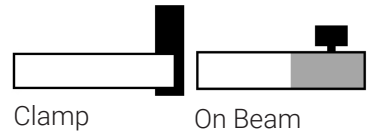
Finish



*Colors listed above are available in a variety of combinations.

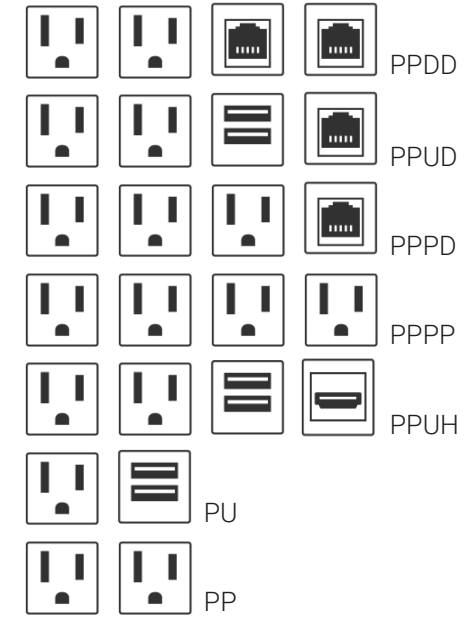


Converge



Converge is Innovant's connectivity product specifically designed for our Accessory Mounting Beam. Converge can be custom configured to offer dozens of combinations of options.

Standard configurations



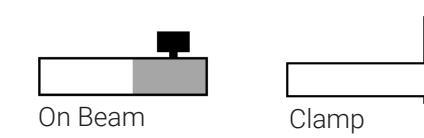
Finish



Silver anodized body with white trim

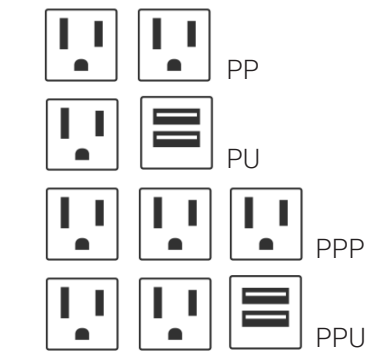


Cube



With a solid faceplate construction and a simple block profile, Cube is charged with clean, modern energy. Cube mounts easily to the edge of your work surface, and is perfect for charging desktop devices. Cube comes standard with options for power, USB, and USB-C in 2, 3, 4, or 5 port configurations.

Standard configurations



Finish



Solo



The Solo simplex features patented Spill Proof Technology and comes in round or square, in a variety of finish options.

Standard configurations



P (ROUND)



U (ROUND)



P (SQUARE)



U (SQUARE)

Finish



Honey



Navy



Poppy



Fog



Black



Storm



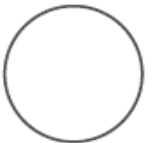
Dusk



Berry



Peacock



White



Duo



Duo's clean, flush mount design is sure to complement a wide range of aesthetics, while its stylish plated, powder-coated, or leather finish, belies a robust, die-cast construction. Duo offers a range of power, data and USB configurations.

Standard configurations



PP



PU



PD

Finish



Parchment



Silver



Midnight



Dark
Bronze



Satin
Nickel



Trivalent
Chrome

*Add Leather on top of any of the finishes above.

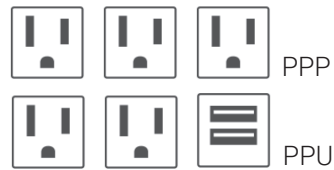
Trio



In Surface

Trio features modern circular simplexes that cleverly rotate to hide away when not in use. Its energetic colors and soft touch finish bring a further hint of play to any fashionable work environment. Three port options. Mounts in surface. With functionality and personality to spare, Trio takes well rounded to a whole new level.

Standard configurations



Finish



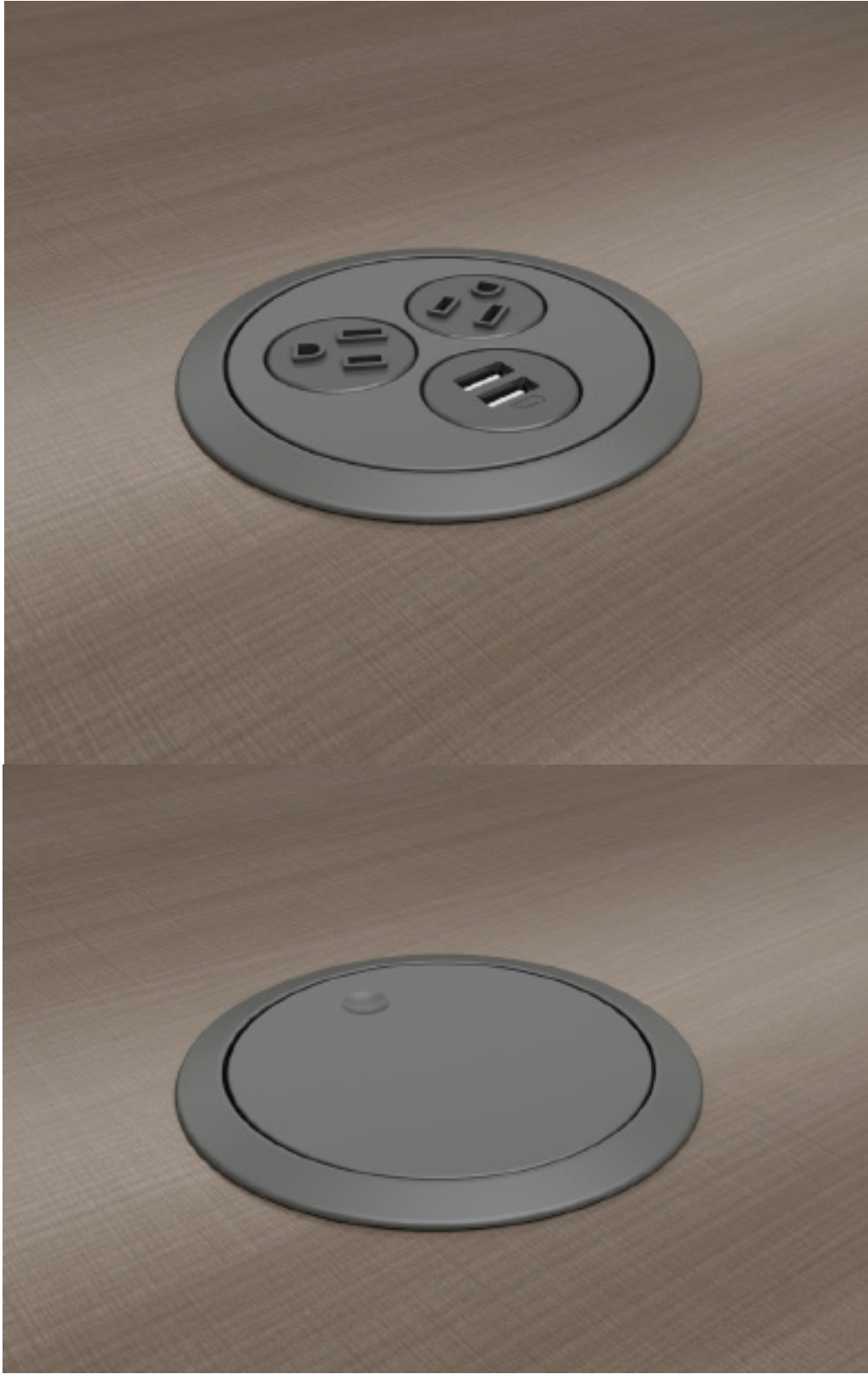
Soft Touch
Black Plastic

Soft Touch
White Plastic



Soft Touch
Green Plastic

Soft Touch
Orange Plastic



INNOVANT

Modern. Intelligent. Tailored.

Innovant provides advanced, integrated design that supports forward looking technology for today's connected workplace.

A recognized leader in the industry, we focus on integrating seamlessly into the overall architecture of a space, optimizing real estate, promoting employee productivity, and ensuring long term value to the client business. Innovant's adaptable open plan workstations, conference solutions, private office designs and specialty furnishings are available to view in showrooms worldwide.

We know that our clients navigate complex decisions when choosing a furniture system. Innovant provides expert guidance along the way, collaborating with client teams to determine optimal product configurations. Where appropriate, we will recommend and engineer tailored solutions based on specific client requirements. Every Innovant product is designed for efficient installation and easy reconfiguration over time as new features are introduced.

Contact

37 West 20th Street
New York, NY 10011
Tel: 212.929.4883
Fax: 212.929.5174
info@innovant.com

www.innovant.com

Innovant_Inc
 Innovant Inc
 Innovant_Inc
 Innovant Inc

*Soft Touch Green and Orange Plastic will have White Power and Data.

Modern. Intelligent. Tailored.