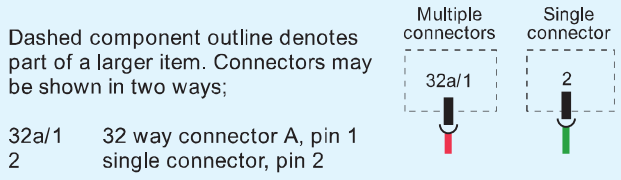
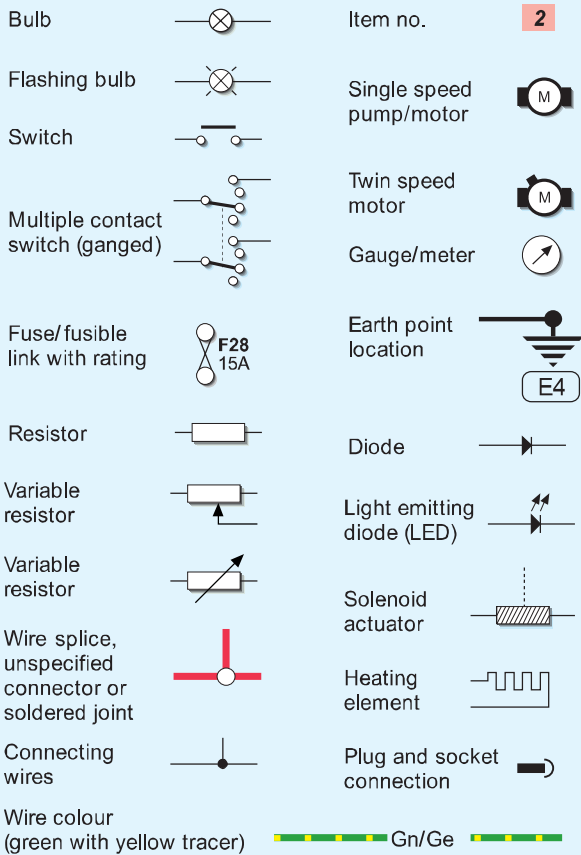


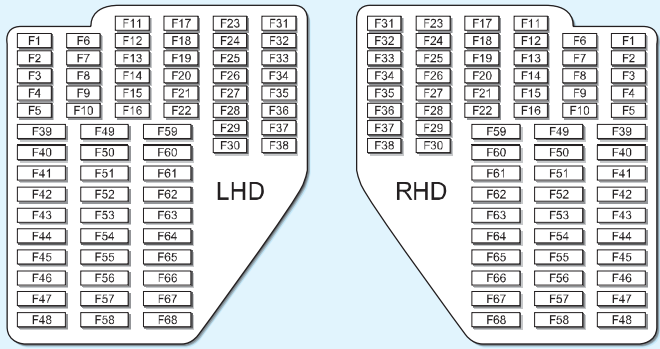
Key to symbols



Earth locations

- E1 Behind battery, on strut tower
- E2 Below battery, on side member
- E3 Under centre console, in front of gearstick
- E4 Behind battery, on strut tower
- E5 At base of LH 'C' pillar

Passenger compartment fusebox **5**



Passenger compartment fusebox **5**

Fuse	Rating	Circuit protected
F1	5A	Instrument cluster, ESP
F2	10A	Stop lights
F3	5A	Diagnostic power supply, air conditioning system
F4	10A	Interior light, glove box light, luggage compartment light
F5	5A	Door warning lights
F6	5A	Headlight levelling
F7	5A	Engine electronics, power steering
F8	-	Not used
F9	10A	Oxygen sensor
F10	5A	'S' contact accessories
F11	5A	Electric mirrors
F12	5A	Fresh/recirculated air flap, air conditioning, navigation, telephone, gas discharge headlights
F13	10A	Reversing lights
F14	10A	Engine control unit
F15	10A	Wash/wipe system
F16	5A	Instrument cluster
F17	5A	Petrol engine control unit
F18	5A	Telephone
F19	10A	Automatic gearbox
F20	5A	Bulb failure warning light
F21	5A	Heated washer jets
F22	-	Not used
F23	10A	RH main beam
F24	10A	Engine electronics
F25	5A	ABS/TCS
F26	10A	ABS/ESP
F27	-	Not used
F28	5A	Stop light switch, clutch pedal switch, engine electronics
F29	5A	Engine control unit
F30	10A	LH main beam, main beam warning light
F31	10A	Tailgate central locking motor
F32	10A	Rear window wiper
F33	5A	RH parking light
F34	5A	LH parking light
F35	10A	Fuel injectors - petrol engines
F36	5A	Number plate lights
F37	7.5A	Rear foglight, rear foglight warning light
F38	5A	Electric mirrors
F39	20A	Heated rear window
F40	20A	Horn
F41	20A	Windscreen wiper
F42	15A	Cigar lighter, power socket
F43	20A	Central control unit, selector lever lock
F44	15A	Direction indicators
F45	20A	Audio system, navigation
F46	25A	Electric windows
F47	-	Not used
F48	30A	Engine control unit
F49	15A	Central locking
F50	15A	RH dip beam, RH gas discharge headlight, RH headlight levelling motor
F51	15A	Power socket in the luggage compartment
F52	15A	Ignition system, petrol engine
F53	25A	Electric windows
F54	15A	LH dip beam, LH gas discharge headlight, LH headlight levelling motor
F55	-	Not used
F56	20A	Engine control unit
F57	25A	Trailer
F58	25A	Electric windows
F59	-	Not used
F60	15A	Alarm
F61	15A	Fuel pump
F62	25A	Sunroof
F63	15A	Heated seats
F64	20A	Headlight washer system
F65	15A	Fog lights
F66	25A	Electric windows
F67	-	Not used
F68	25A	Heater blower

## Wire colours

<b>Bl</b>	Blue	<b>Li</b>	Purple
<b>Br</b>	Brown	<b>Ws</b>	White
<b>Ge</b>	Yellow	<b>Or</b>	Orange
<b>Gr</b>	Grey	<b>Ro</b>	Red
<b>Gn</b>	Green	<b>Sw</b>	Black

## Key to items

- 1 Battery
- 2 Ignition switch
- 3 Starter motor
- 4 Alternator
- 5 Passenger compartment fusebox
- 6 Terminal 30 junction
- 7 Steering wheel clock springs
- 8 Horn switch
- 9 Horn

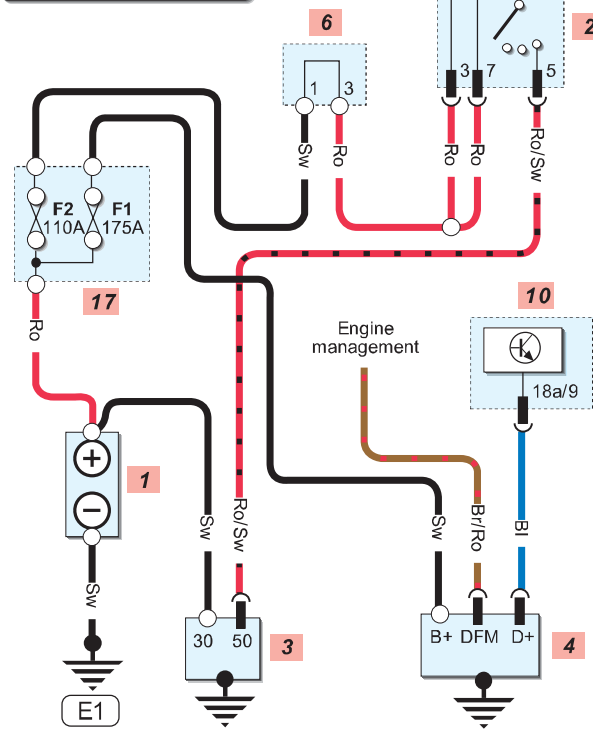
- 10 Electrical system control unit
- 11 Cigar lighter
- 12 Heater blower switch
- a = fresh air/recirc. flap switch
- b = fresh air/recirc. flap warning lamp
- c = switch illumination
- d = heater blower switch
- e = control unit
- 13 Heater blower motor

- 14 Fresh air/recirc. flap motor
- 15 Heater blower resistors
- 16 Ashtray illumination
- 17 Battery fuseholder
- 18 'X' contact relay

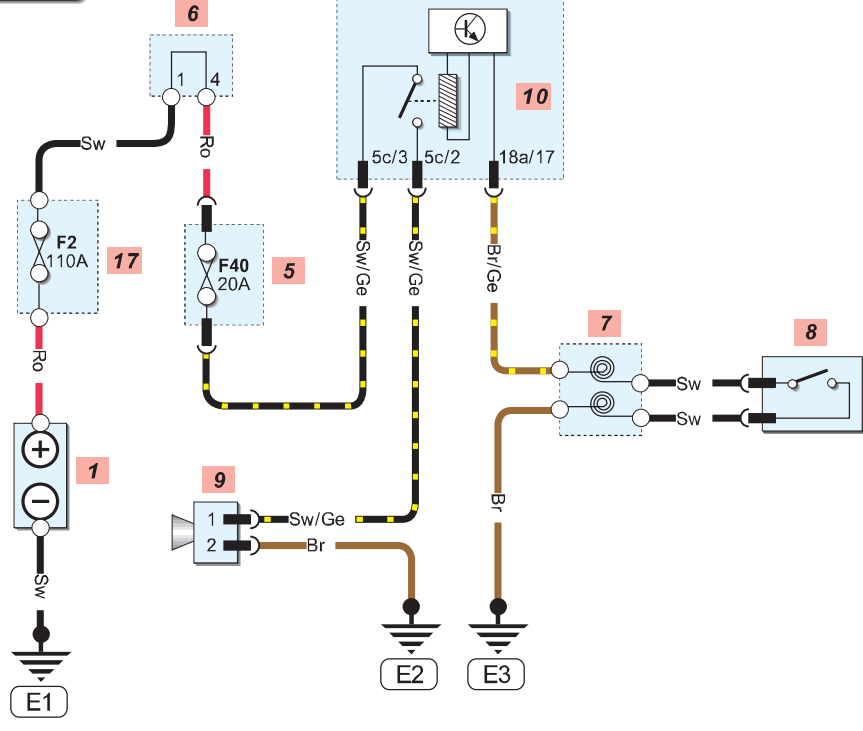
## Diagram 2

H33373

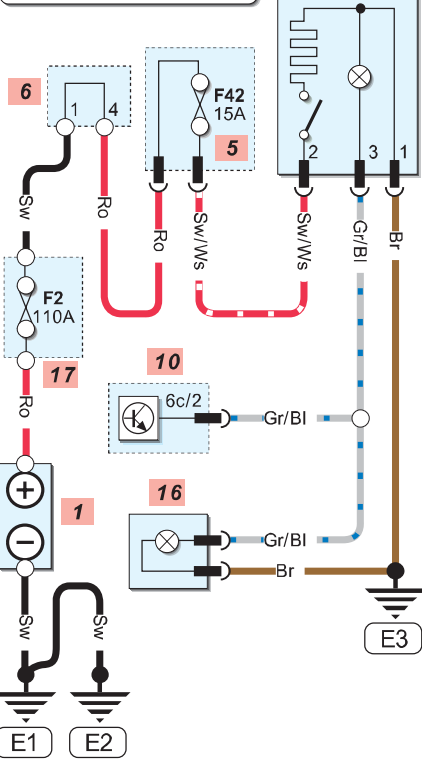
### Starting & charging



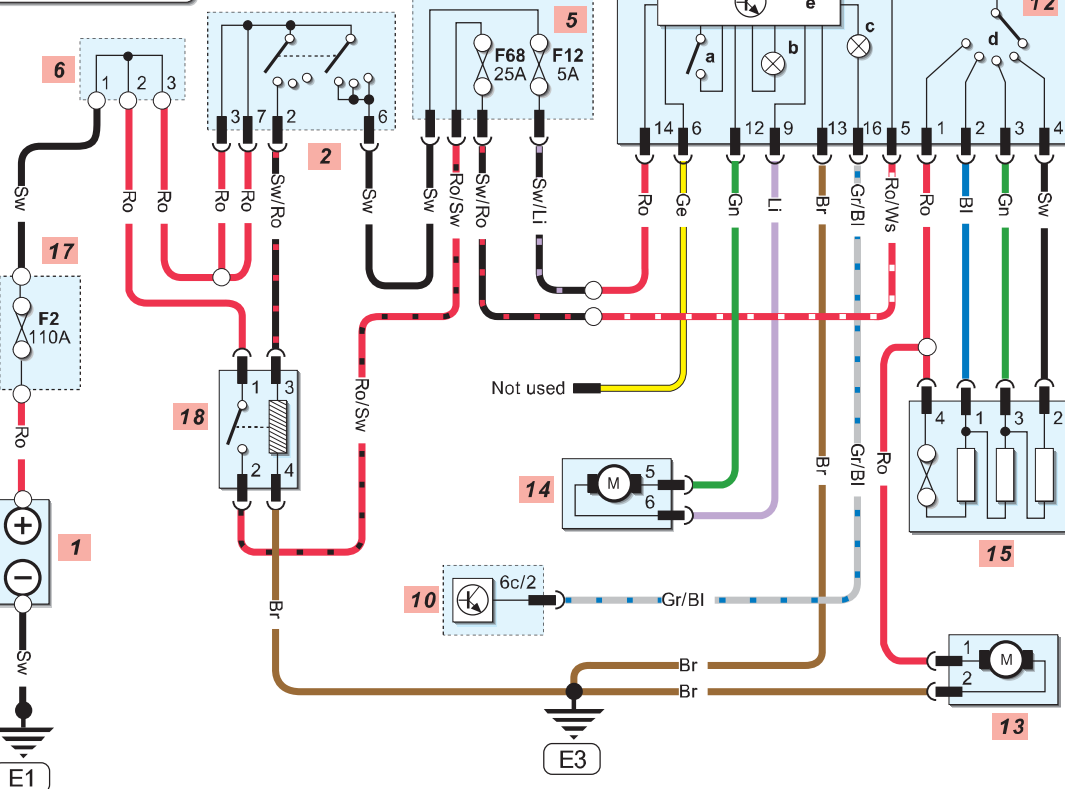
### Horn



### Cigar lighter & ashtray illumination



### Heater blower



Wire colours

<b>Bl</b> Blue	<b>Li</b> Purple
<b>Br</b> Brown	<b>Ws</b> White
<b>Ge</b> Yellow	<b>Or</b> Orange
<b>Gr</b> Grey	<b>Ro</b> Red
<b>Gn</b> Green	<b>Sw</b> Black

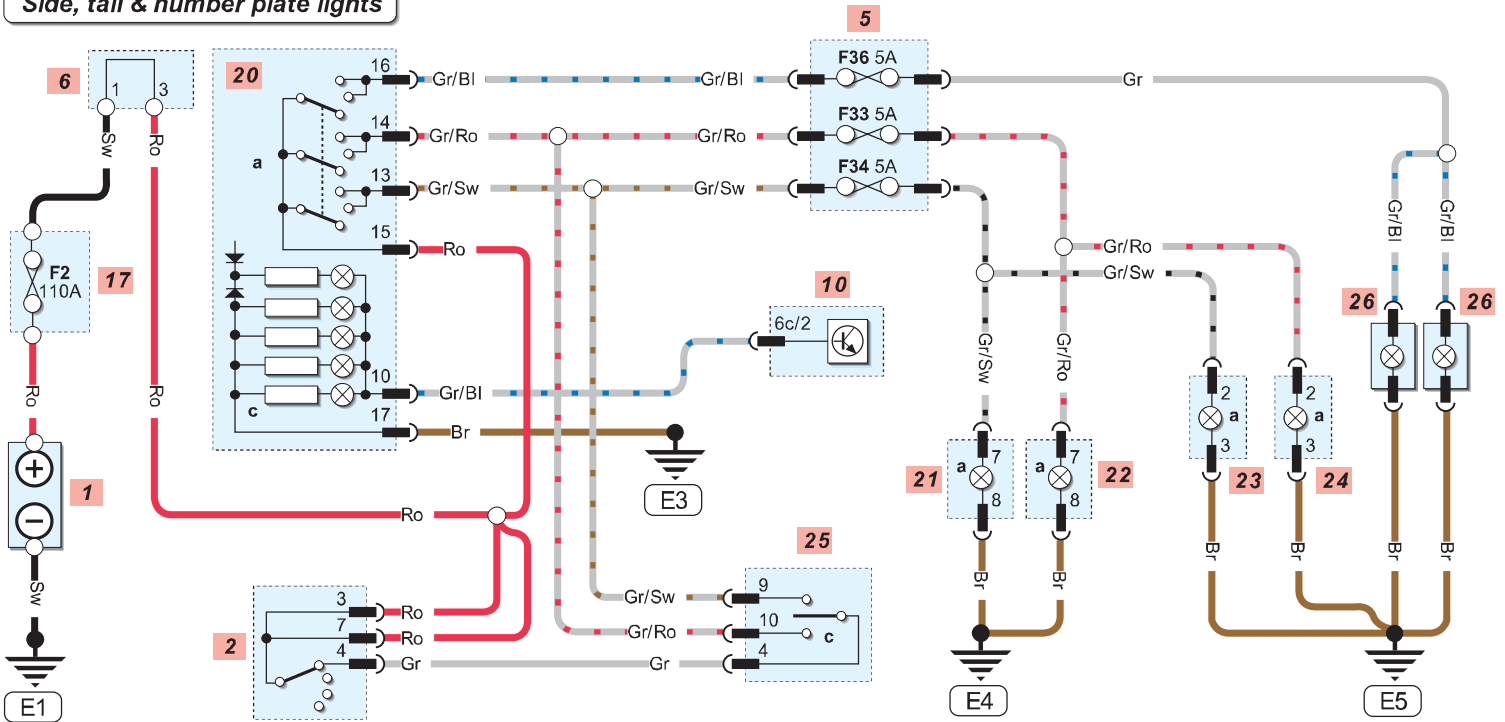
Key to items

- |                                   |  |                           |
|-----------------------------------|--|---------------------------|
| 1 Battery                         | 22 RH headlight unit (as above)              | 26 Number plate light     |
| 2 Ignition switch                 | 23 LH rear light unit                        | 27 Stop light switch      |
| 5 Passenger compartment fusebox   | a = tail light                               | 28 Reversing light switch |
| 6 Terminal 30 junction            | b = stop light                               | 29 High level stop light  |
| 10 Electrical system control unit | c = reversing light                          |                           |
| 17 Battery fuseholder             | 24 RH rear light unit (as above)             |                           |
| 20 Lighting switch                | a = side/headlight                           |                           |
| a = side/headlight                | c = switch illumination                      |                           |
| 21 LH headlight unit              | a = headlight flash                          |                           |
| a = side light                    | b = main/dip switch                          |                           |
| b = main beam                     | c = parking light/direction indicator switch |                           |
| c = dip beam                      |  |                           |

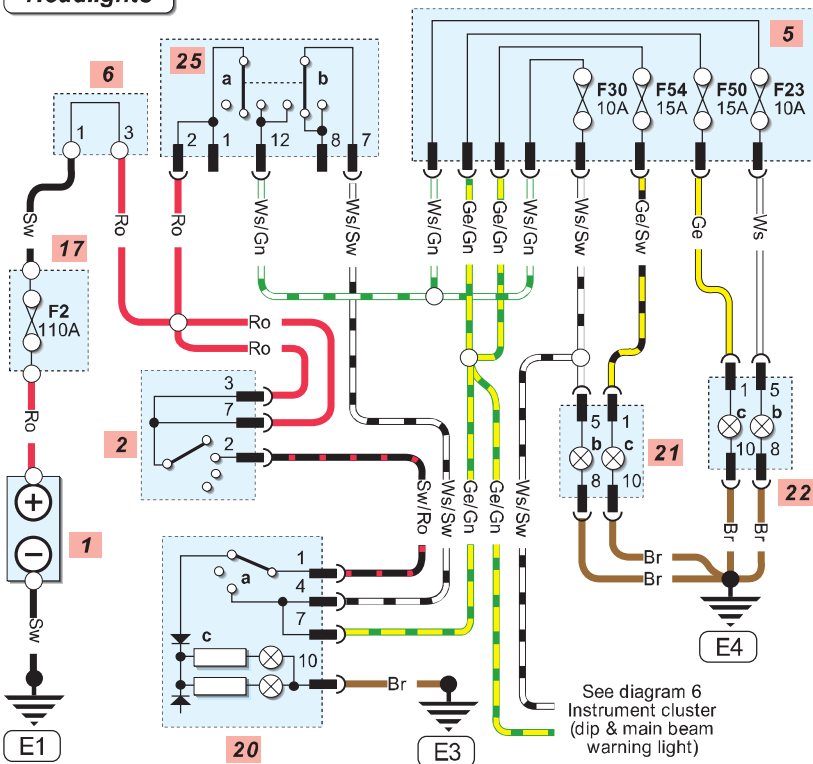
\* Estate models

H33374

Side, tail & number plate lights

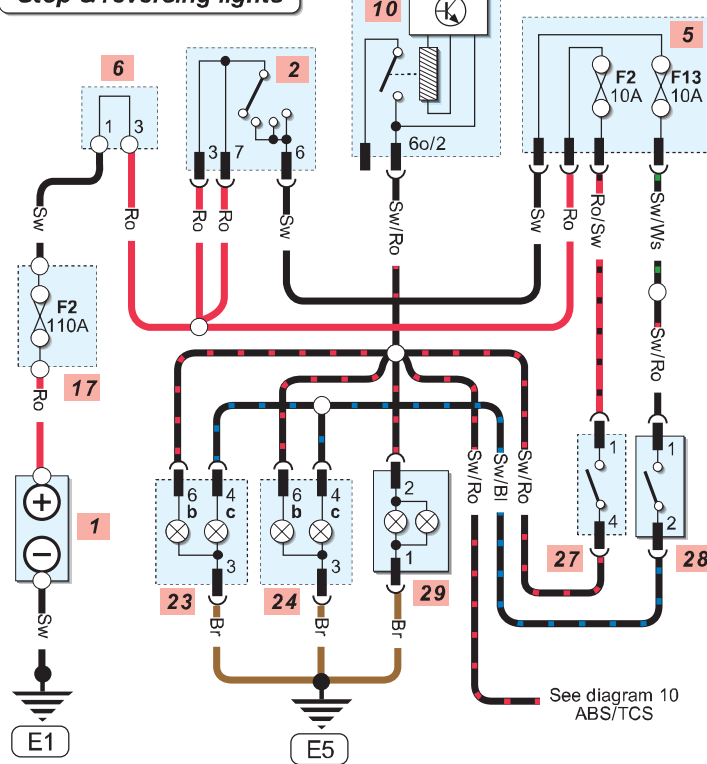


Headlights



See diagram 6  
Instrument cluster  
(dip & main beam  
warning light)

Stop & reversing lights



See diagram 10  
ABS/TCS

## Wire colours

<b>Bl</b>	Blue	<b>Li</b>	Purple
<b>Br</b>	Brown	<b>Ws</b>	White
<b>Ge</b>	Yellow	<b>Or</b>	Orange
<b>Gr</b>	Grey	<b>Ro</b>	Red
<b>Gn</b>	Green	<b>Sw</b>	Black

## Key to items

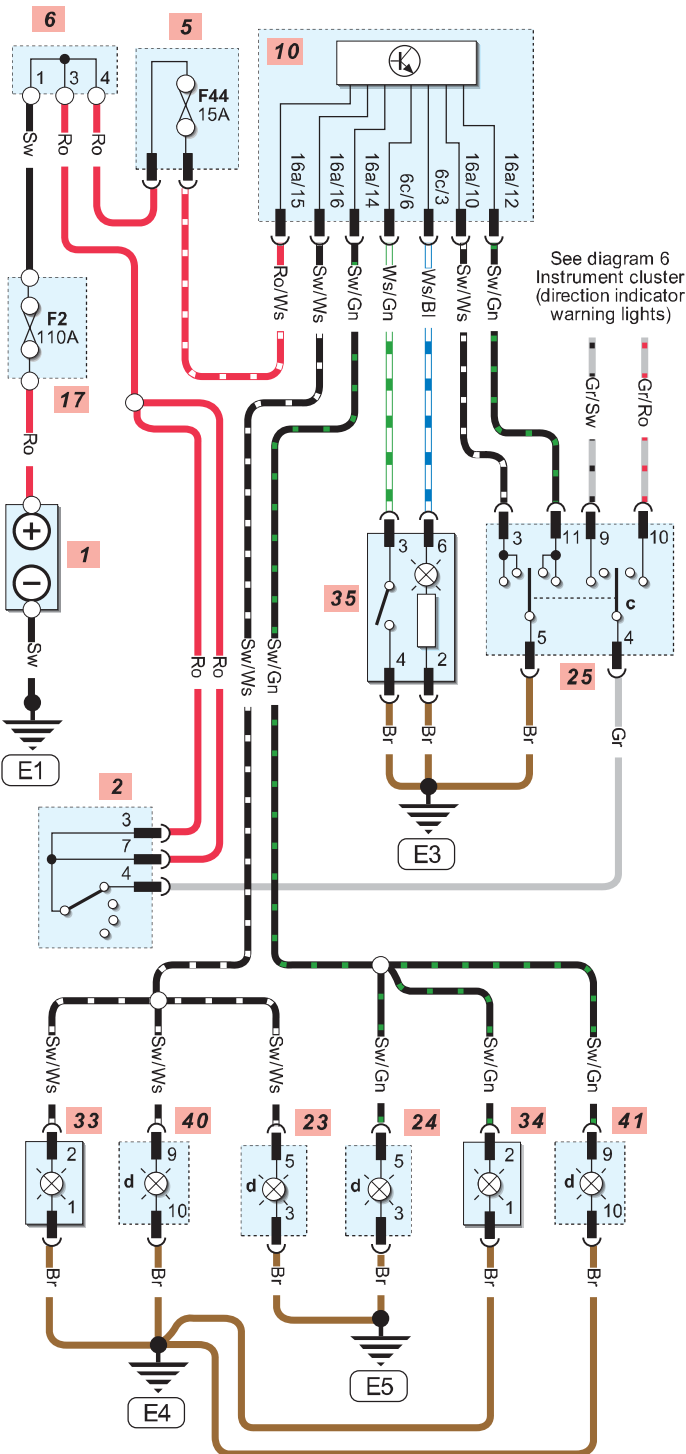
- 1 Battery
- 2 Ignition switch
- 5 Passenger compartment fusebox
- 6 Terminal 30 junction
- 10 Electrical system control unit
- 17 Battery fuseholder
- 18 'X' contact relief relay
- 20 Lighting switch
- 21 LH headlight unit
- 22 RH headlight unit
- e = headlight levelling
- 23 LH rear light unit
- 24 RH rear light unit
- d = direction indicator
- 25 Multi-function switch
- a = side/headlight
- b = front/rear foglight
- c = switch illumination
- 33 LH indicator side repeater
- 34 RH indicator side repeater

## Diagram 4

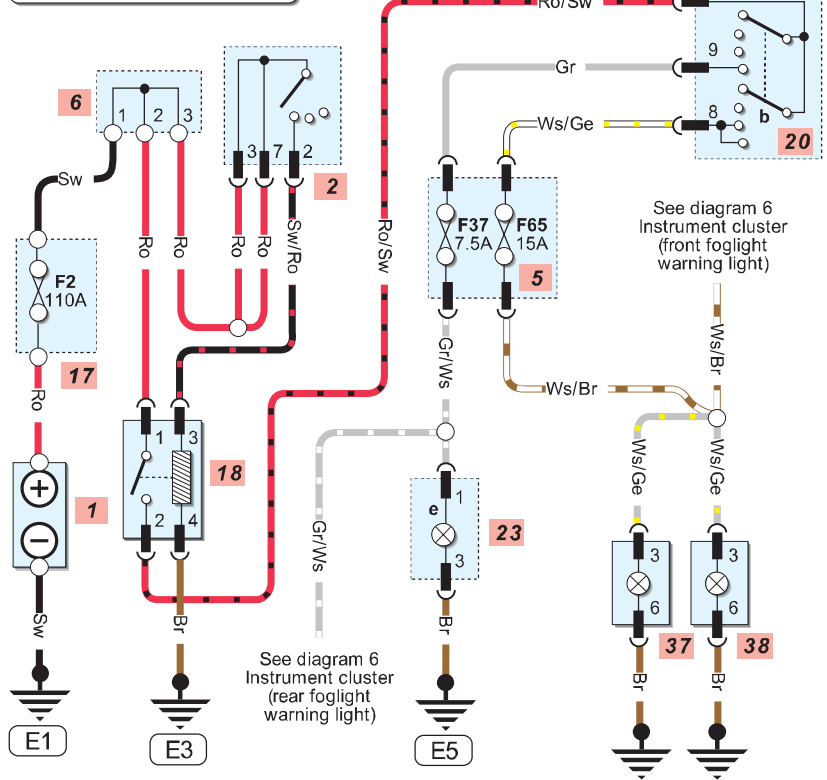
- 35 Hazard warning switch
- 37 LH front foglight
- 38 RH front foglight
- 39 Headlight levelling/lighting rheostat
- 40 LH front indicator
- 41 RH front indicator

H33375

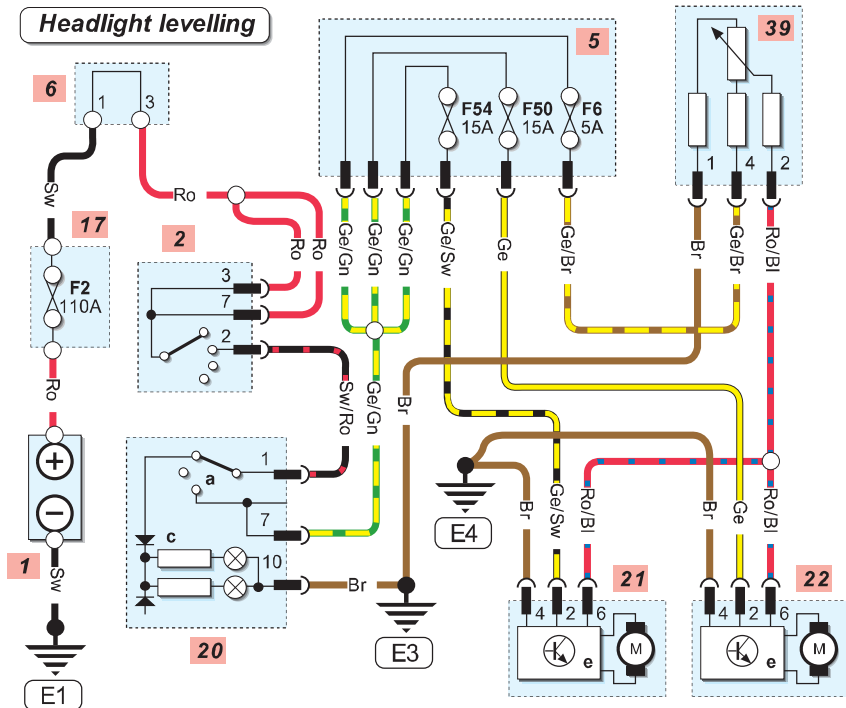
### Direction indicators & hazard warning lights



### Front & rear foglights



### Headlight levelling



## Wire colours

<b>Bl</b>	Blue	<b>Li</b>	Purple
<b>Br</b>	Brown	<b>Ws</b>	White
<b>Ge</b>	Yellow	<b>Or</b>	Orange
<b>Gr</b>	Grey	<b>Ro</b>	Red
<b>Gn</b>	Green	<b>Sw</b>	Black

## Key to items

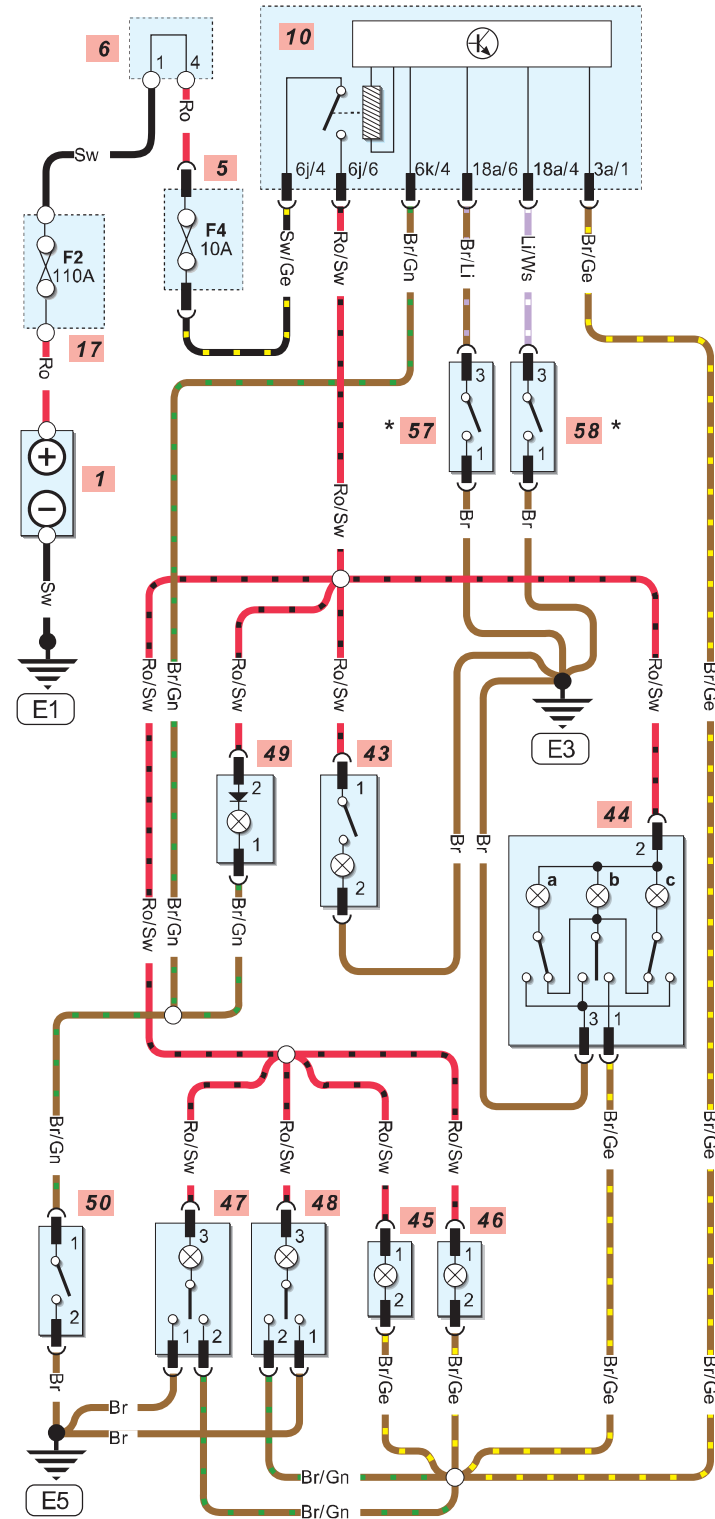
- |    |                                |    |                                  |    |                   |
|----|--------------------------------|----|----------------------------------|----|-------------------|
| 1  | Battery                        | 45 | LH door courtesy light           | 74 | Front wiper motor |
| 2  | Ignition switch                | 46 | RH door courtesy light           | 56 | Rear wiper motor  |
| 5  | Passenger compartment fusebox  | 47 | LH rear interior light           | 57 | LH door switch    |
| 6  | Terminal 30 junction           | 48 | RH rear interior light           | 58 | RH door switch    |
| 10 | Electrical system control unit | 49 | Luggage compartment light        |    |                   |
| 17 | Battery fuseholder             | 50 | Luggage compartment light switch |    |                   |
| 18 | 'X' contact relay              | 51 | Wash/wipe switch                 |    |                   |
| 43 | Glovebox light/switch          | a  | = front wash/wipe                |    |                   |
| 44 | Front interior light           | b  | = rear wash/wipe                 |    |                   |
| a  | = LH reading light             | c  | = intermittent wiper rheostat    |    |                   |
| b  | = interior light               |    |                                  |    |                   |
| c  | = RH reading light             | 53 | Front/rear washer pump           |    |                   |

\* Models without central locking

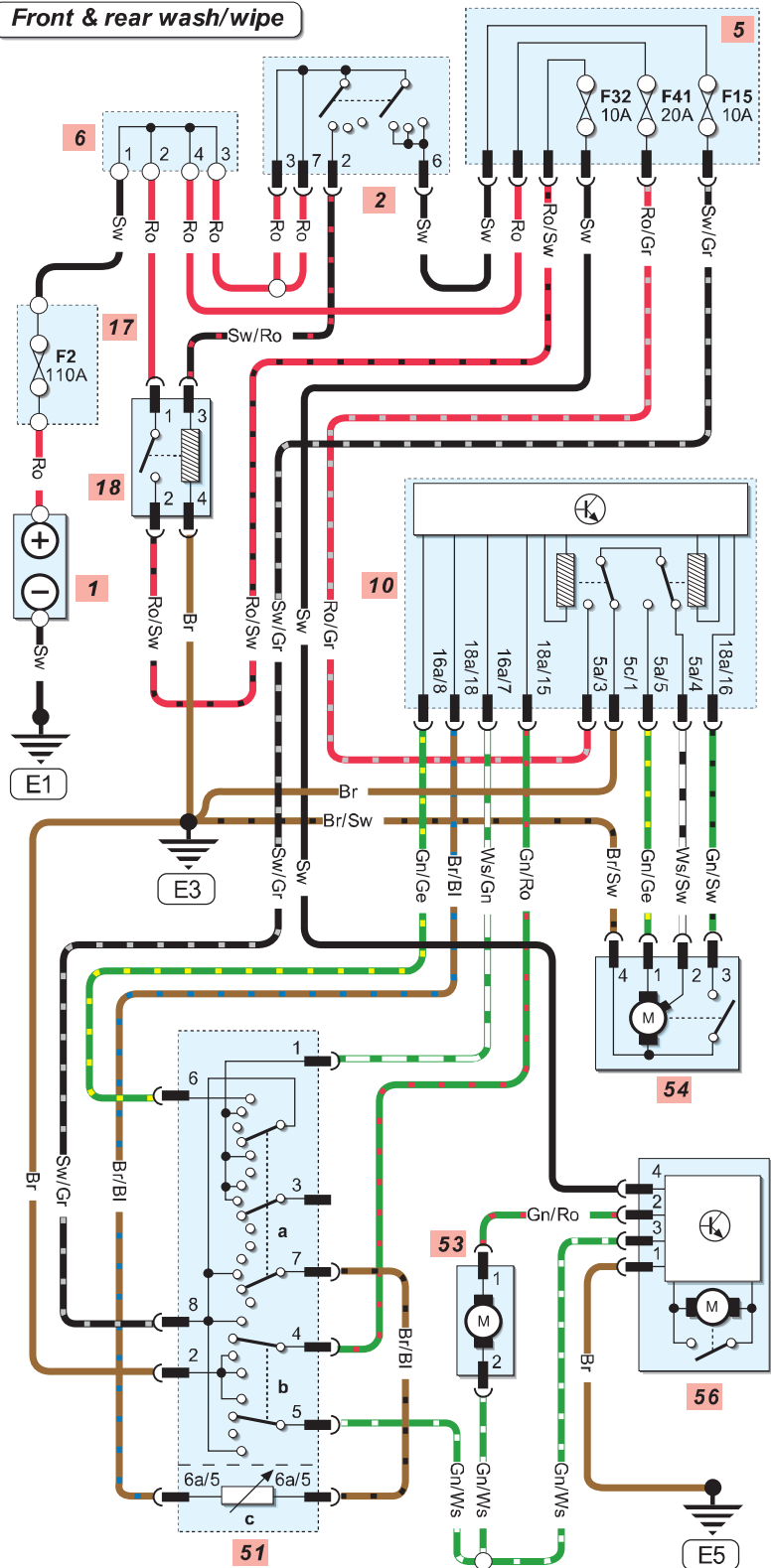
## Diagram 5

H33376

### Interior lighting



### Front & rear wash/wipe



Wire colours

<b>Bl</b> Blue	<b>Li</b> Purple
<b>Br</b> Brown	<b>Ws</b> White
<b>Ge</b> Yellow	<b>Or</b> Orange
<b>Gr</b> Grey	<b>Ro</b> Red
<b>Gn</b> Green	<b>Sw</b> Black

Key to items

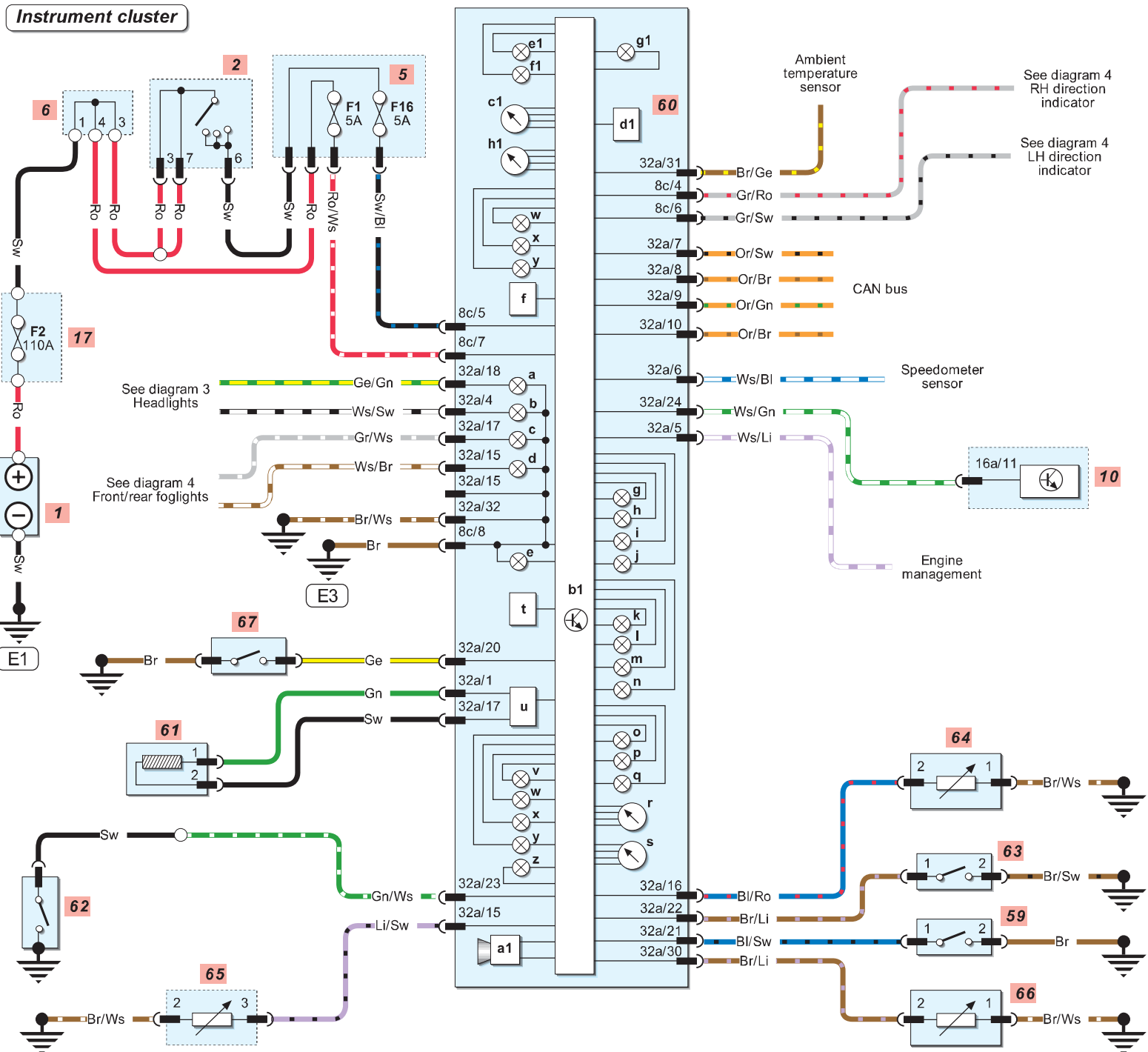
- 1 Battery
- 2 Ignition switch
- 5 Passenger compartment fusebox
- 6 Terminal 30 junction
- 10 Electrical system control unit
- 17 Battery fuseholder
- 59 Handbrake switch
- 60 Instrument cluster
- a = dipped beam warning light
- b = main beam warning light
- c = rear foglight warning light
- d = front foglight warning light
- e = instrument illumination
- f = digital clock
- g = alternator warning light
- h = servotronic warning light
- i = trailer warning light
- j = tailgate unlock warning light

- k = TCS/ESP warning light
- l = ABS warning light
- m = airbag warning light
- n = LH indicator warning light
- o = RH indicator warning light
- p = door ajar warning light
- q = seatbelt warning light
- r = tachometer
- s = coolant temperature gauge
- t = selector lever position sensor
- u = immobilizer control unit
- v = immobilizer warning light
- w = coolant temp/low coolant warning light
- x = brake system/handbrake warning light
- y = low brake fluid warning light
- z = pad wear warning light

- a1 = buzzer
- b1 = instrument cluster control unit
- c1 = speedometer
- d1 = odometer
- e1 = oil pressure warning light
- f1 = low fuel warning light
- g1 = glow plug warning light
- h1 = fuel gauge
- 61 Immobilizer reader coil
- 62 Oil pressure switch
- 63 Low brake fluid switch
- 64 Coolant level sender
- 65 Fuel gauge sender
- 66 Washer fluid level sensor
- 67 Driver's seatbelt switch

H33377

Instrument cluster





## Wire colours

<b>Bl</b>	Blue	<b>Li</b>	Purple
<b>Br</b>	Brown	<b>Ws</b>	White
<b>Ge</b>	Yellow	<b>Or</b>	Orange
<b>Gr</b>	Grey	<b>Ro</b>	Red
<b>Gn</b>	Green	<b>Sw</b>	Black

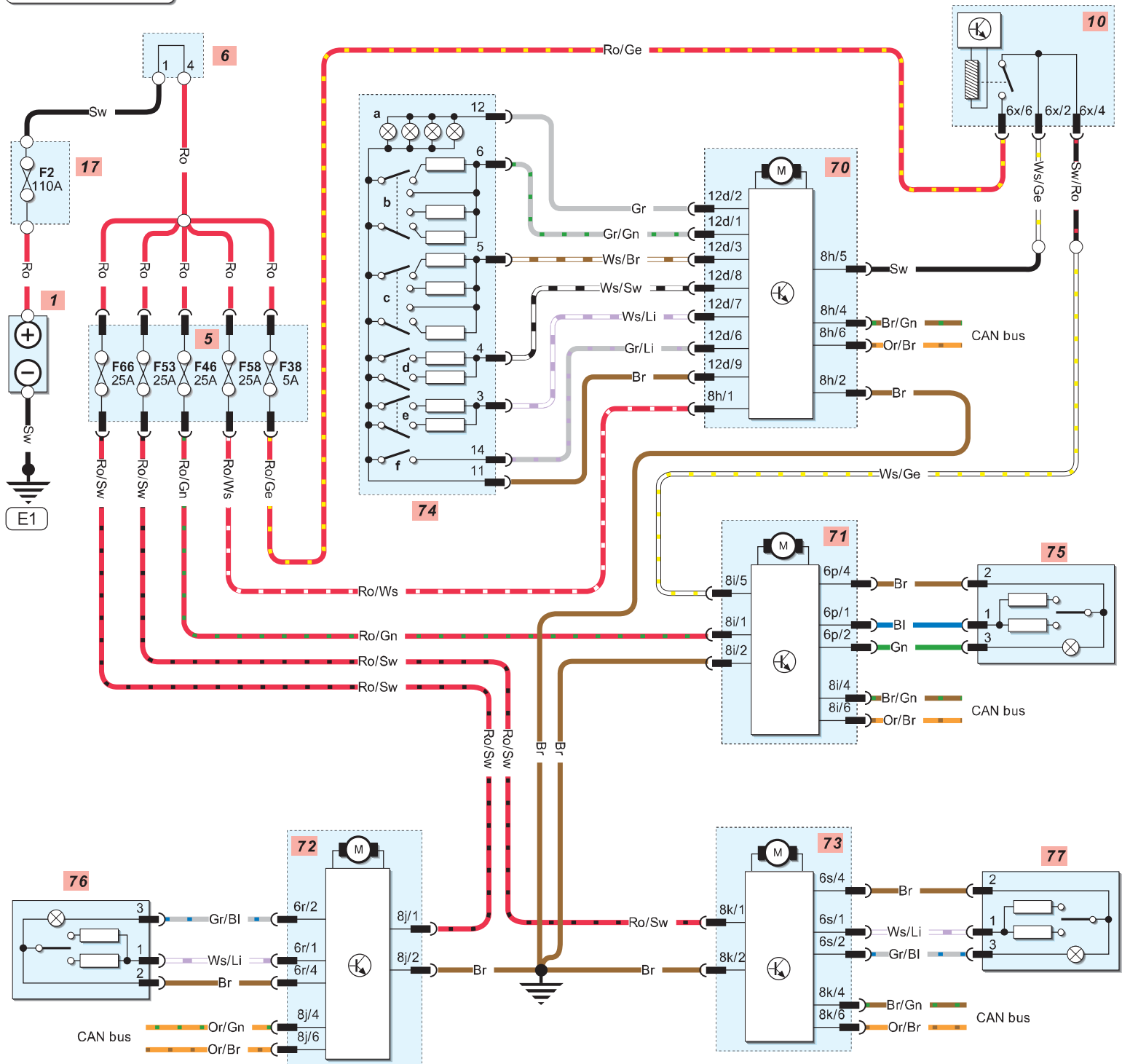
## Key to items

- |    |                                     |    |                                      |
|----|-------------------------------------|----|--------------------------------------|
| 1  | Battery                             | d  | = rear LH window switch              |
| 5  | Passenger compartment fusebox       | e  | = rear RH window switch              |
| 6  | Terminal 30 junction                | f  | = rear window isolation switch       |
| 10 | Electrical system control unit      | 75 | Front passenger's door window switch |
| 17 | Battery fuseholder                  | 76 | LH rear door window switch           |
| 70 | Driver's door control unit          | 77 | RH rear door window switch           |
| 71 | Front passenger's door control unit |    |                                      |
| 72 | LH rear door control unit           |    |                                      |
| 73 | RH rear door control unit           |    |                                      |
| 74 | Driver's door window switch         |    |                                      |
| a  | = switch illumination               |    |                                      |
| b  | = front LH window switch            |    |                                      |
| c  | = front RH window switch            |    |                                      |

## Diagram 7

H33378

### Electric windows



Wire colours

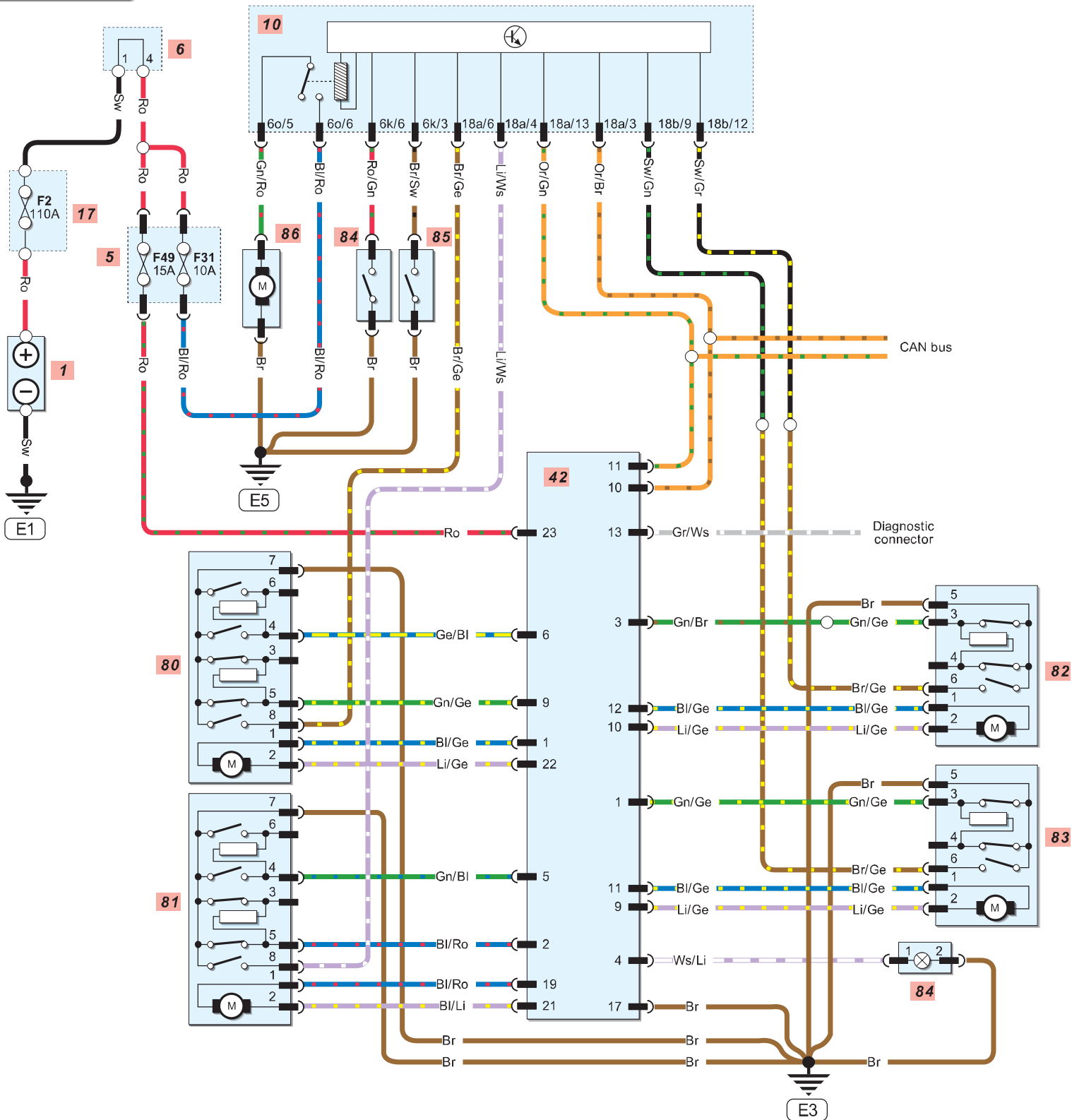
<b>Bl</b>	Blue	<b>Li</b>	Purple
<b>Br</b>	Brown	<b>Ws</b>	White
<b>Ge</b>	Yellow	<b>Or</b>	Orange
<b>Gr</b>	Grey	<b>Ro</b>	Red
<b>Gn</b>	Green	<b>Sw</b>	Black

Key to items

- |    |                                  |    |   |
|----|----------------------------------|----|---|
| 1  | Battery                          | 82 | LH rear door lock unit                    |
| 2  | Ignition switch                  | 83 | RH rear door lock unit                    |
| 5  | Passenger compartment fusebox    | 84 | Tailgate handle release switch            |
| 6  | Terminal 30 junction             | 85 | Central locking switch (in tailgate lock) |
| 10 | Electrical system control unit   | 86 | Tailgate/boot locking motor               |
| 17 | Battery fuseholder               |    |   |
| 42 | Convenience system control unit  |    |   |
| 80 | Driver's door lock unit          |    |   |
| 81 | Front passenger's door lock unit |    |   |

H33379

Central locking





Wire colours

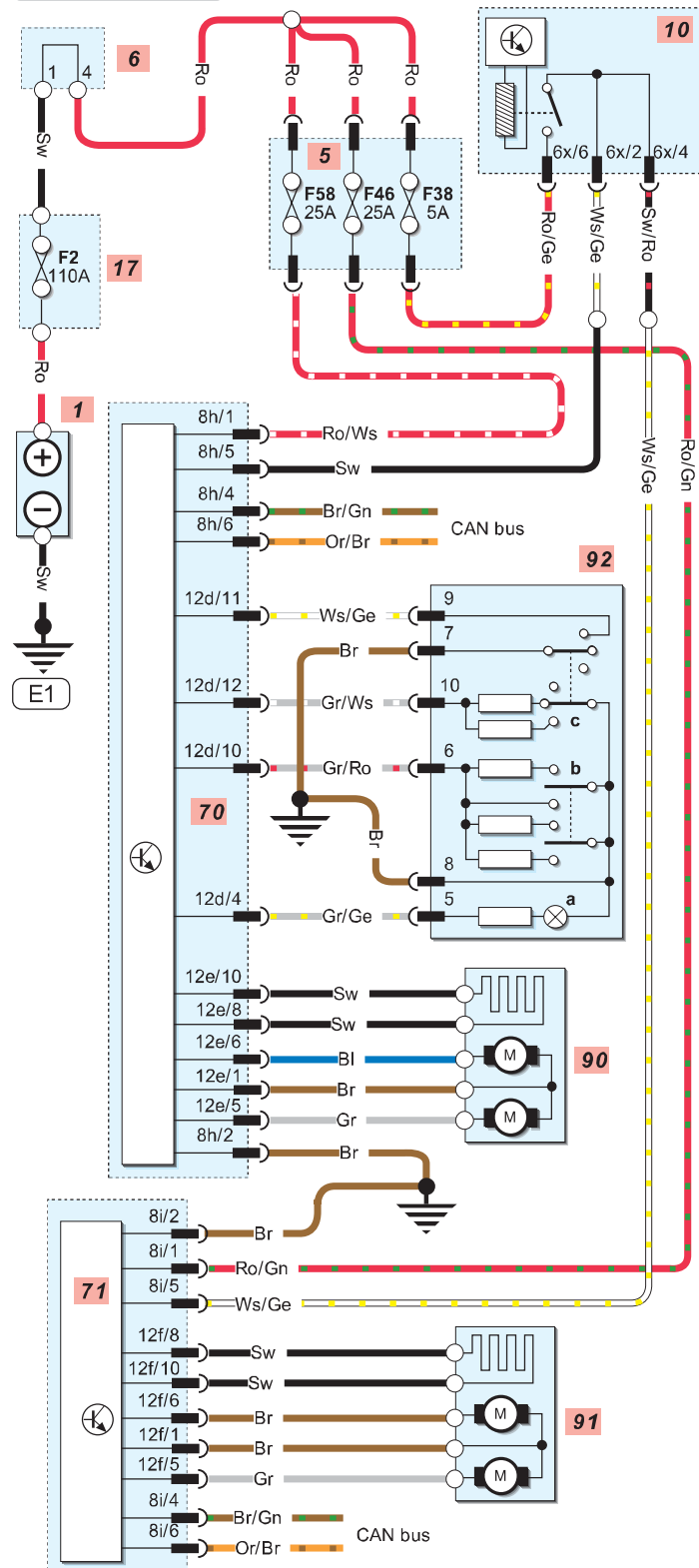
<b>Bl</b> Blue	<b>Li</b> Purple
<b>Br</b> Brown	<b>Ws</b> White
<b>Ge</b> Yellow	<b>Or</b> Orange
<b>Gr</b> Grey	<b>Ro</b> Red
<b>Gn</b> Green	<b>Sw</b> Black

Key to items

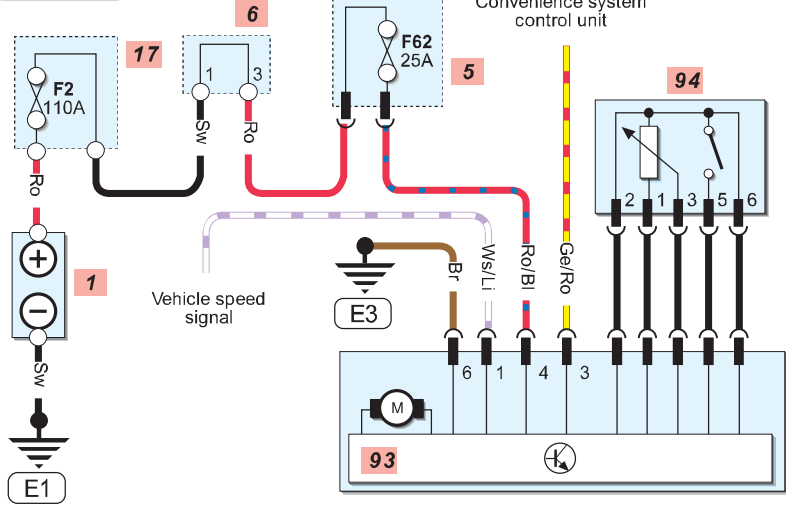
- |  |                                |
|--|--------------------------------|
| 1 Battery                              | 91 Passenger's mirror assembly |
| 2 Ignition switch                      | 92 Mirror control switch       |
| 5 Passenger compartment fusebox        | a = switch illumination        |
| 6 Terminal 30 junction                 | b = adjustment switch          |
| 10 Electrical system control unit      | c = change-over switch         |
| 17 Battery fuseholder                  | 93 Sunroof motor               |
| 70 Driver's door control unit          | 94 Sunroof control switch      |
| 71 Front passenger's door control unit | 95 Heated rear window switch   |
| 90 Driver's mirror assembly            | 96 Heated rear window          |

H33380

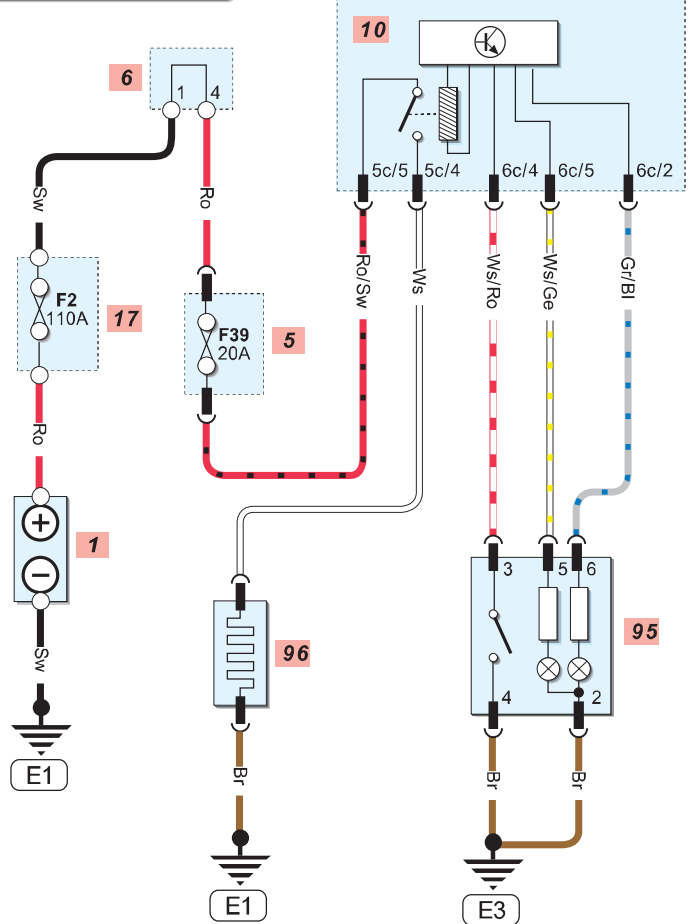
Electric mirrors



Sunroof



Heated rear window



## Wire colours

<b>Bl</b> Blue	<b>Li</b> Purple
<b>Br</b> Brown	<b>Ws</b> White
<b>Ge</b> Yellow	<b>Or</b> Orange
<b>Gr</b> Grey	<b>Ro</b> Red
<b>Gn</b> Green	<b>Sw</b> Black

## Key to items

- 1 Battery
- 2 Ignition switch
- 5 Passenger compartment fusebox
- 6 Terminal 30 junction
- 10 Electrical system control unit
- 17 Battery fuseholder
- 100 Audio unit
- 101 CD changer
- 102 LH front bass speaker
- 103 LH front tweeter
- 104 LH rear bass speaker
- 105 LH rear tweeter
- 106 RH front bass speaker

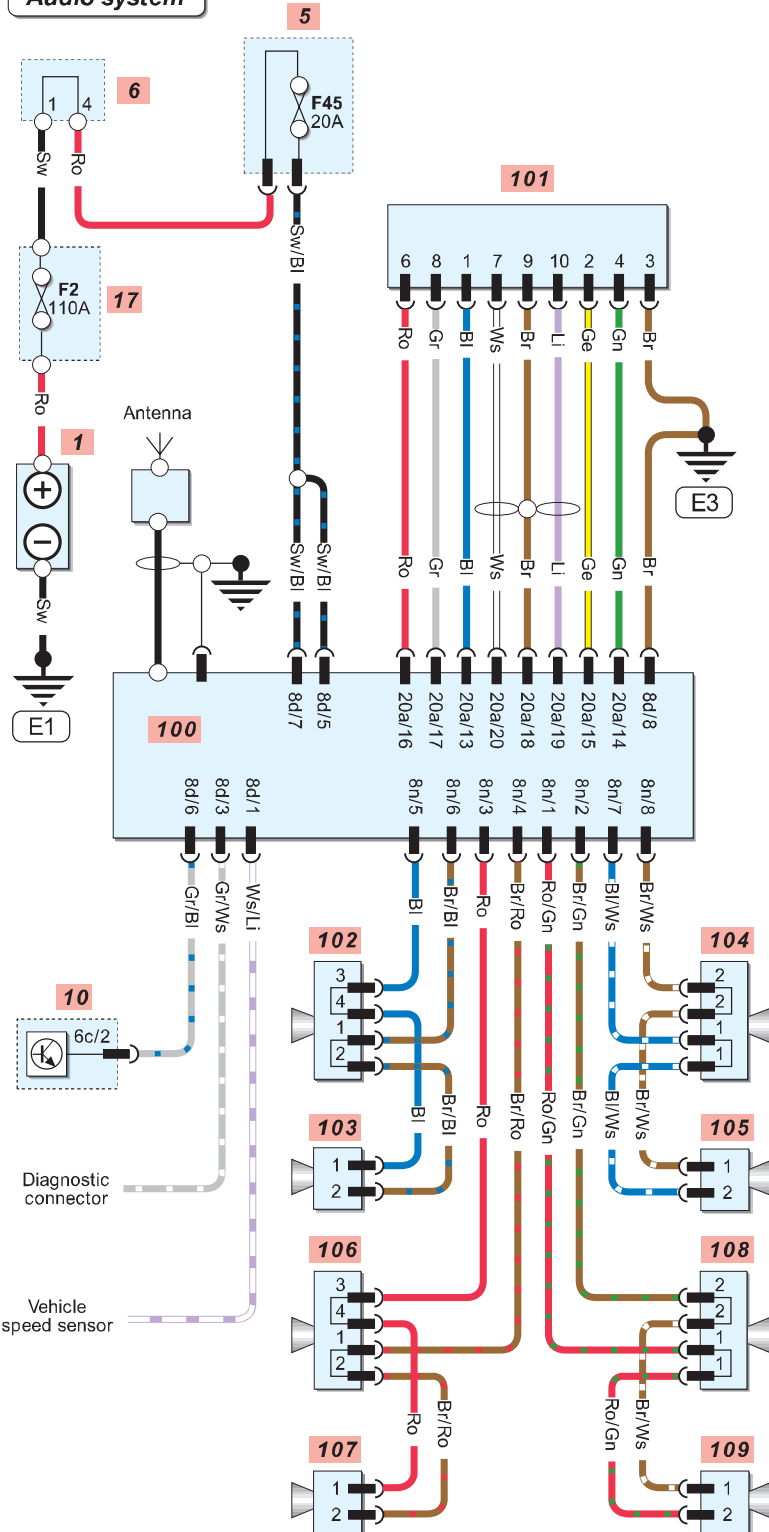
- 107 RH front tweeter
- 108 RH rear bass speaker
- 109 RH rear tweeter
- 110 ABS hydraulic unit
- a = control unit
- b = LH rear outlet valve
- c = LH rear inlet valve
- d = RH rear inlet valve
- e = RH rear outlet valve
- f = RH front inlet valve
- g = RH front outlet
- h = LH front inlet
- i = LH front outlet

- j = LH front EDL outlet
- k = RH front EDL outlet
- l = LH front EDL change over valve
- m = RH front EDL change over valve
- n = ABS solenoid valve relay
- o = return pump relay
- p = return pump
- 111 LH front wheel sensor
- 112 LH rear wheel sensor
- 113 RH front wheel sensor
- 114 RH rear wheel sensor
- 115 TCS switch

## Diagram 10

H33381

### Audio system



### ABS/TCS system

