

SIRMAN PPJ10 POTATO PEELERS

41001002F



Main Features

- AISI Stainless steel body
- Transmission system with self-tensioning belt Poli - V
- High efficiency ventilated motors for continuous operation
- Stainless Steel peeling disc
- Patented removable dishwashing safe container and bottom peeling disc (no tools required).
- Easy to replace abrasive surface
- PP abrasive walls with easily replaceable mantle by the operator
- Stainless steel outlet opening with quick and sealed locking
- Microswitch on the lid
- Microswitch on outlet opening
- S/S trestle and sieve for filter catchment
- Easy service and easy access to the Components
- Automatic unloading system
- Fast water inlet connection
- Adjustable S/S feet can be fixed to the floor



SPECIFICATIONS

Voltage	220 - 240 V
Power	735 Watts, 1HP, Single Phase
Speed	320 RPM
Weight	51 kg
Plug Supplied	Yes 10 amp plug
Capacity	10 kg
Volume	20 L
Production	170 kg/hr
Warranty	4 Year Warranty (2 yr Labour 4 yr Parts)



PPJ 2V 24 Pin motor



Vegetable filter basket



Fast connection of water entry



Optional mantle with steel

ACCESSORIES

Vegetable Basket Dryer

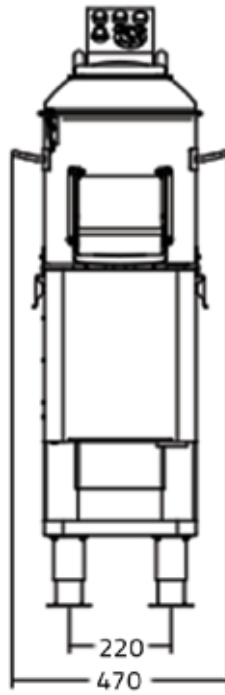
DIMENSIONS

External Width	470mm
External Depth	775mm
External Height	1050/1310mm

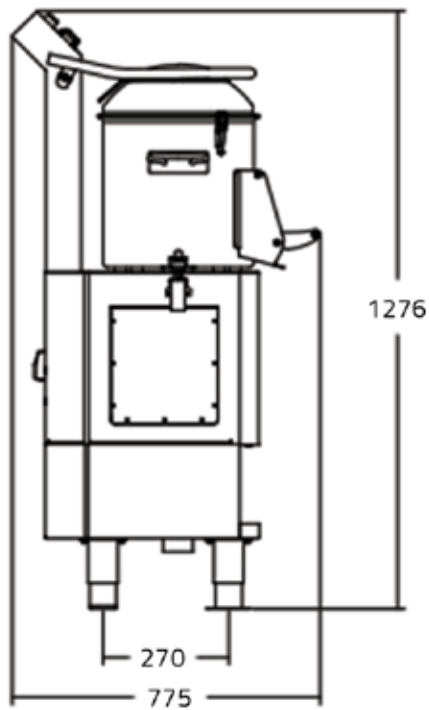


Phone: 1800 183 818 Email: support@thegoodlady.com.au
Website: www.thegoodlady.com.au

FRONT



SIDE



We reserve the right to alter specifications without notice.



Phone: 1800 183 818 Email: support@thegoodlady.com.au
Website: www.thegoodlady.com.au