

Basic Parameters

Product model:DK67 V2
Keyboard interface:USB TYPE-C
System compatibility: Windows/Mac/IOS/Android
Input:5V = 1A
Battery capacity: 3000mAh (different version,different capacities)

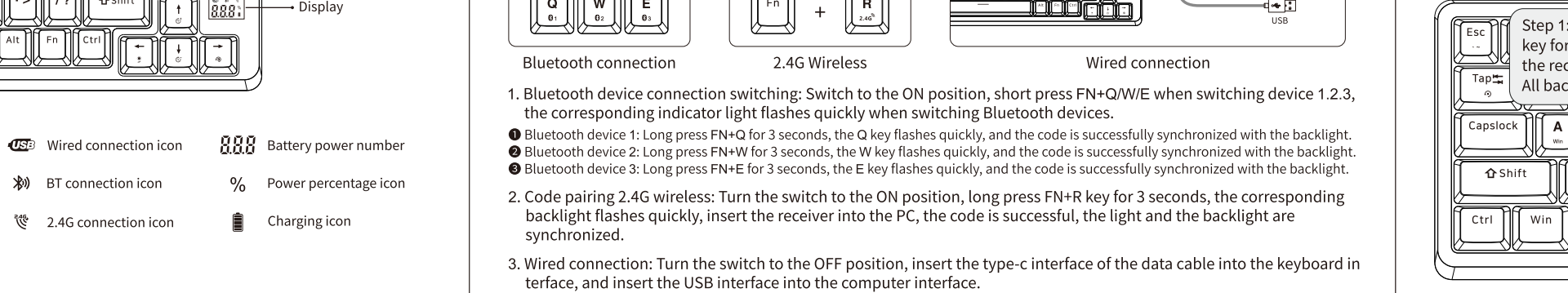
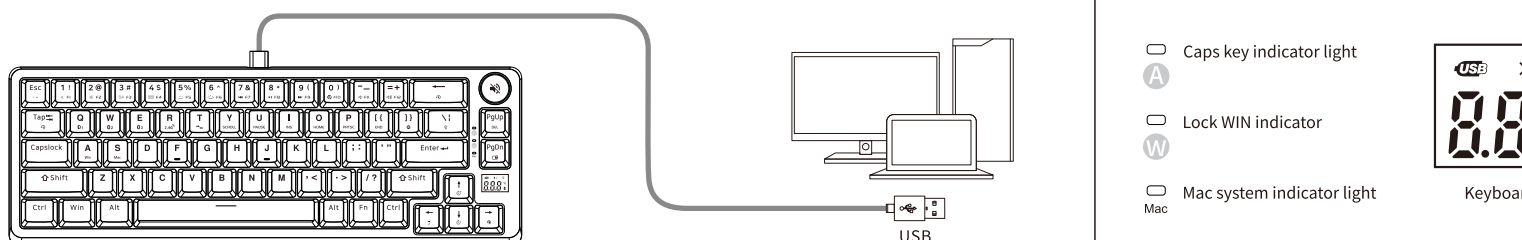
Knob/Indicator/Display

Connection method:Tri-mode connection
Bluetooth name:DK67 V2 BT3.0/DK67 V2 BT5.0
Backlight color: Full color RGB/Monochrome
Product size: 32.7×11.4×3.9CM
Package contents: Keyboard/Data cable/
Instruction manual/Receiver

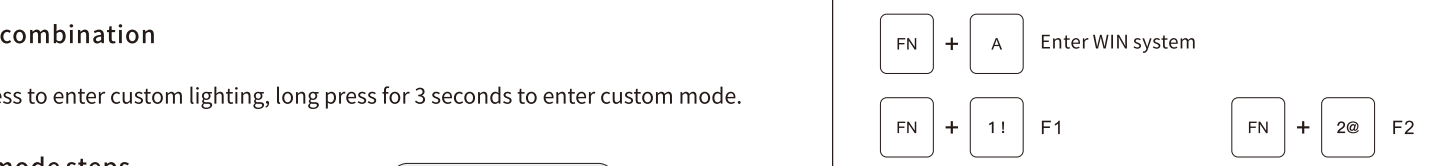
Turn the bottom switch to OFF and insert the type-c data cable. The wired icon and charging icon on the display screen will light up, and the battery power number will change to dynamic effect. The fully charged number is 100.

Charging Indication

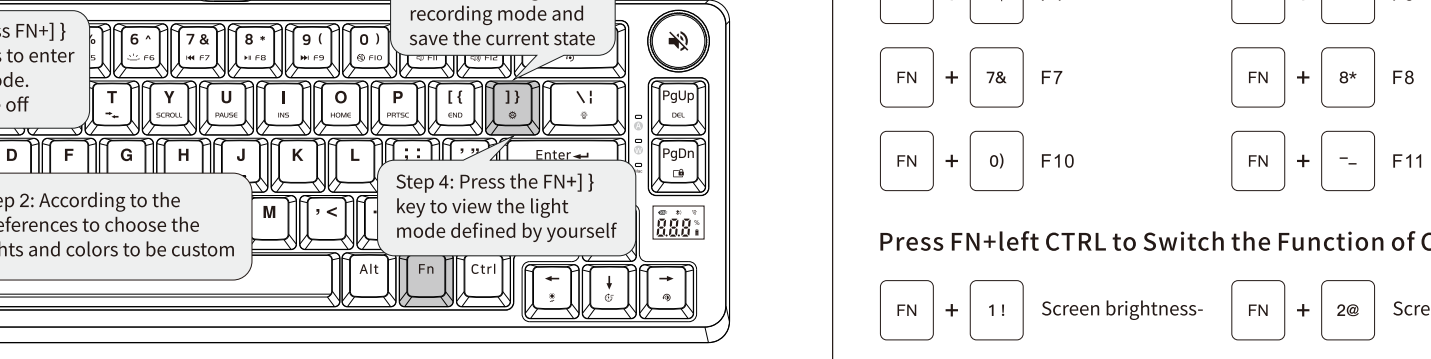
Note*: Do not expose the battery to the sun, **and the input voltage is limited to 5V (overvoltage may cause damage to the product and cannot enjoy warranty service).**



Bluetooth/2.4G Connection/Wired Connection



Keyboard Backlight Recording Method



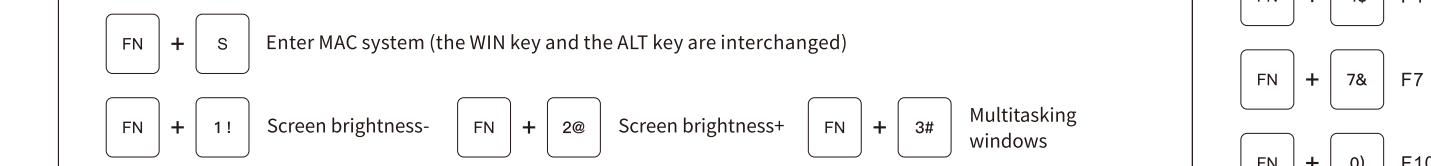
WIN System Shortcut Keys

FN + A	Enter WIN system	FN + 2@	F2	FN + 3#	F3
FN + 1!	F1	FN + 5%	F5	FN + 6^	F6
FN + 4\$	F4	FN + 8*	F8	FN + 9(F9
FN + 7&	F7	FN + --	F11	FN + +=	F12
FN + 0)	F10				

MAC System Shortcut Keys

FN + S	Enter MAC system (the WIN key and the ALT key are interchanged)	FN + 2@	Screen brightness+	FN + 3#	Multitasking windows
FN + 1!	Screen brightness-	FN + 5%	Keyboard backlight brightness-	FN + 6^	Keyboard backlight brightness+
FN + 4\$	Program list	FN + 8*	Pause/Play	FN + 9(Next track
FN + 7&	Previous	FN + --	Volume-	FN + +=	Volume+
FN + 0)	Mute				

Keyboard Backlight Recording Method



WIN System Shortcut Keys

FN + A	Enter WIN system	FN + 2@	Screen brightness+	FN + 3#	Multitasking windows
FN + 1!	Screen brightness-	FN + 5%	Keyboard backlight brightness-	FN + 6^	Keyboard backlight brightness+
FN + 4\$	Program list	FN + 8*	Pause/Play	FN + 9(Next track
FN + 7&	Previous	FN + --	Volume-	FN + +=	Volume+
FN + 0)	Mute				

MAC System Shortcut Keys

FN + S	Enter MAC system (the WIN key and the ALT key are interchanged)	FN + 2@	Screen brightness+	FN + 3#	Multitasking windows
FN + 1!	Screen brightness-	FN + 5%	Keyboard backlight brightness-	FN + 6^	Keyboard backlight brightness+
FN + 4\$	Program list	FN + 8*	Pause/Play	FN + 9(Next track
FN + 7&	Previous	FN + --	Volume-	FN + +=	Volume+
FN + 0)	Mute				

Special Shortcut Keys

FN + PGDN	Turn off the display	FN + T	Display wireless pairing channel
FN + ←	Press and hold for 3 seconds to restore factory settings		

Display Screen Description

Bluetooth connection: The Bluetooth icon in the display lights up, the battery power number lights up, and the power percentage icon lights up.
2.4G connection: The 2.4G icon in the display lights up, the battery power number lights up, and the power percentage icon lights up.
Wired connection: The wired icon in the display lights up, the battery power number becomes a dynamic effect, the power percentage icon turns off, the charging icon turns on, and the battery power number is 100 when fully charged.

Backlight Shortcut Keys

FN + Tab	Backlight mode switching	FN + \	Turn off/on backlight
FN + ↑	Backlight speed+	FN + ←	Dynamic backlight direction switching
FN + ↓	Backlight speed-	FN + →	Backlight monochrome switching (monochrome keyboard without this function)