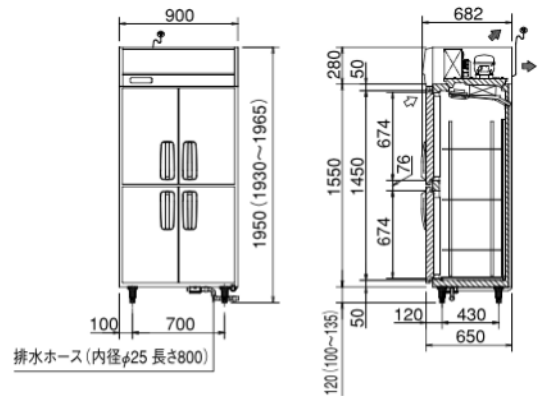




**Panasonic**  
BUSINESS

Refrigerator and Freezer  
STAINLESS STEEL UPRIGHT



棚寸法/幅774、奥行472、3枚 調節ピッチ/12.5

| Model                         | Temperature   | Dimension                                    | Volume | Weight | Refrigerant | Power   |
|-------------------------------|---------------|--|--------|--------|-------------|---|
| <b>SRR-K961S</b><br>(CHILLER) | -6°C ~ +12°C  | Ext: W900xD650xH1950<br>Int: W800xD550xH1450 | 611 L  | 94kg   | R134a       | <b>Cooling:</b><br>100V / 179/179W (50/60Hz)<br><b>Defrosting:</b><br>100V / 324/324W (50/60Hz) |
| <b>SRF-K961S</b><br>(FREEZER) | -25°C ~ -15°C | Ext: W900xD650xH1950<br>Int: W800xD550xH1450 | 605 L  | 100kg  | R404A       | <b>Cooling:</b><br>100V / 380/380W (50/60Hz)<br><b>Defrosting:</b><br>100V / 556/556W (50/60Hz) |
| <b>SRR-K981S</b><br>(CHILLER) | -6°C ~ +12°C  | Ext: W900xD800xH1950<br>Int: W800xD700xH1450 | 803 L  | 102kg  | R134a       | <b>Cooling:</b><br>100V / 179/179W (50/60Hz)<br><b>Defrosting:</b><br>100V / 324/324W (50/60Hz) |
| <b>SRF-K981</b><br>(FREEZER)  | -25°C ~ -15°C | Ext: W900xD800xH1950<br>Int: W800xD700xH1450 | 797 L  | 110kg  | R404A       | <b>Cooling:</b><br>100V / 380/380W (50/60Hz)<br><b>Defrosting:</b><br>100V / 556/556W (50/60Hz) |

**High energy saving performance**

- Inverter compressor
- Automatic frame heater duty optimization
- Automatic condensing fan speed control



Ty Innovations Pte Ltd  
2017.09  
Tel: +65 67794500  
Email: sales@tyinnovations.com

