

# Gold Series PLC Horizontal Bulb 12w



## DESCRIPTION:

Touch-Plate's PLC Horizontal Bulbs were designed to offer better security, more lumens, and higher cost savings. Our PLC Horizontal Bulb Lights can offer energy savings of 70% or greater over traditional PLC Compact Fluorescents. Our LEDs are optimal for retrofit installations.

## PRODUCT FEATURES:

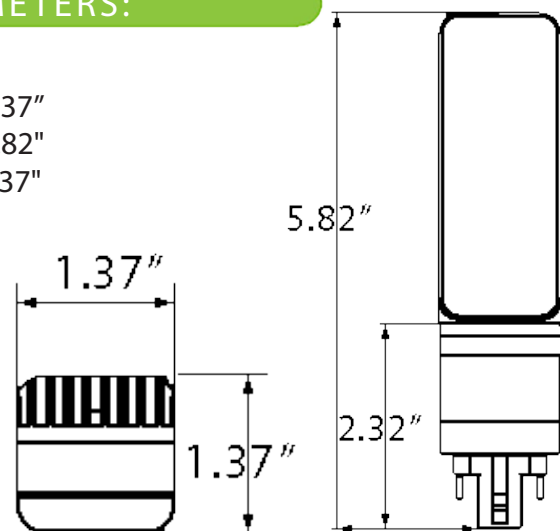
- Instant start: No flickering or humming
- Uniform light
- 160° rotation
- Built-in thermal detector
- Die cast aluminum heatsink
- Lifetime of 50,000 hrs or greater
- UL Listed (E476876)
- DLC Listed
  - 12PL03HG24QLED40/A
- 5 Year Limited Warranty

## SPECIFICATIONS:

- Wattage: 12w
- Lumens: 1,100 (approx > 91lm/w)
- Equivalence: 25w Compact Fluorescent
- Beam Angle: 180°
- IP Rating: IP64
- LED Chips: N/A
- PF: >0.90

## PHYSICAL PARAMETERS:

- Dimensions
  - Diameter: 1.37"
  - Height: 5.82"
  - Width: 1.37"
- Weight
  - 0.20 lbs





# Gold Series PLC Horizontal Bulb

## ORDERING GUIDE

LED Type XXX -	Lumens - Wattage XXX - XXX-	CCT XX	Voltage X -	Type X	Base X
<ul style="list-style-type: none"> <li><b>PLC</b> PLC Horizontal Bulb</li> </ul>	<ul style="list-style-type: none"> <li><b>011-012</b> 1,100lm -12w</li> </ul>	<ul style="list-style-type: none"> <li><b>30</b> 3000k</li> <li><b>40</b> 4000k</li> <li><b>50</b> 5000k</li> </ul>	<ul style="list-style-type: none"> <li><b>U</b> 120-277v</li> </ul>	<ul style="list-style-type: none"> <li><b>B</b> Ballast Bypass</li> <li><b>C</b> Ballast Compatible</li> </ul>	<ul style="list-style-type: none"> <li><b>4</b> G24Q</li> <li><b>5</b> GX24Q</li> <li><b>6</b> G23</li> <li><b>7</b> GX23</li> <li><b>8</b> G24D</li> </ul>

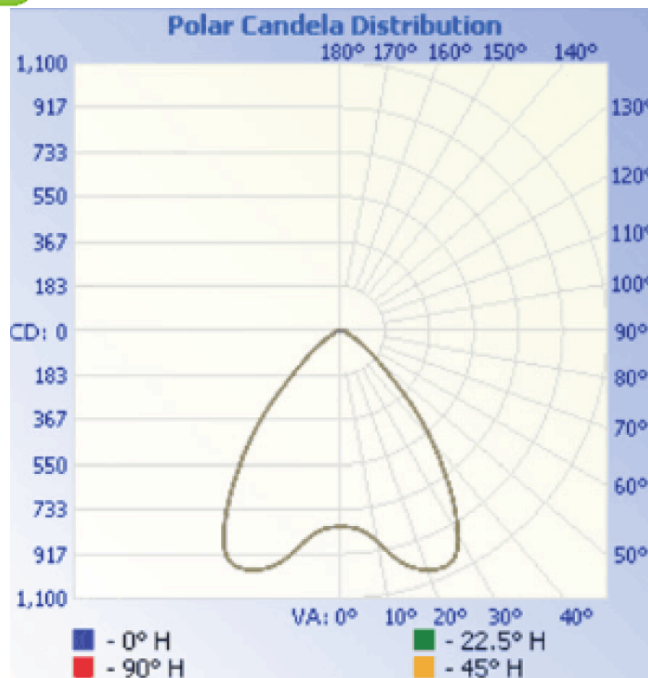
## ADDITIONAL ORDERING OPTIONS

(specified at time of order)

### Lens Options

- Clear Glass (TP Standard)
- Milky Glass

## PHOTOMETRIC



# Gold Series PLC Horizontal Bulb

## INSTALLATION INFORMATION (WIRING)

This product must be installed in accordance with National Electrical Code(NEC) and/or applicable local codes, by a qualified electrician.

**DANGER - RISK OF SHOCK - DISCONNECT POWER BEFORE INSTALLATION**

- Remove the old ballast or disconnect the ballast from the existing lamp holder.
- Reconnect the wiring directly to the existing lamp holder.
- Install the new LED.

