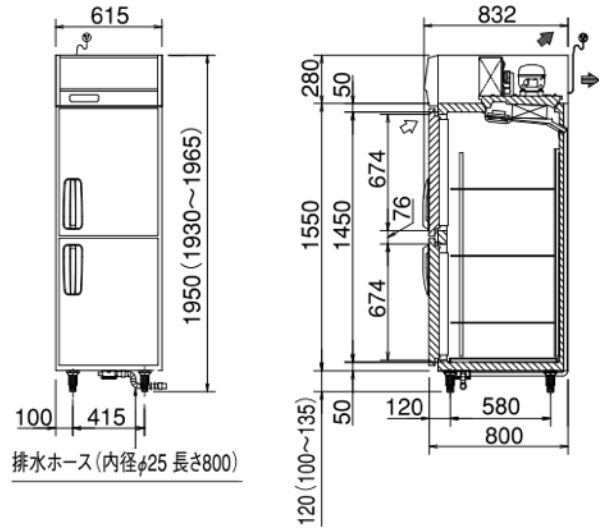




**Panasonic**  
BUSINESS

Refrigerator and Freezer  
STAINLESS STEEL UPRIGHT



Model	Temperature	Dimension	Volume	Weight	Refrigerant	Power
<b>SRR-K661</b> (CHILLER)	-6°C ~ +12°C	Ext: W615xD650xH1950 Int: W515xD550xH1450	393 L	71kg	R134a	<b>Cooling:</b> 100V / 161/161W (50/60Hz) <b>Defrosting:</b> 100V / 306/306W (50/60Hz)
<b>SRF-K661</b> (FREEZER)	-25°C ~ -15°C	Ext: W615xD650xH1950 Int: W515xD550xH1450	393 L	71kg	R134a	<b>Cooling:</b> 100V / 193/193W (50/60Hz) <b>Defrosting:</b> 100V / 325/325W (50/60Hz)
<b>SRR-K681</b> (CHILLER)	-6°C ~ +12°C	Ext: W615xD800xH1950 Int: W515xD700xH1450	505 L	78kg	R134a	<b>Cooling:</b> 100V / 161/161W (50/60Hz) <b>Defrosting:</b> 100V / 306/306W (50/60Hz)
<b>SRF-K681</b> (FREEZER)	-25°C ~ -15°C	Ext: W615xD800xH1950 Int: W515xD700xH1450	505 L	78kg	R134a	<b>Cooling:</b> 100V / 193/193W (50/60Hz) <b>Defrosting:</b> 100V / 325/325W (50/60Hz)

### High energy saving performance

- Inverter compressor
- Automatic frame heater duty optimization
- Automatic condensing fan speed control

ECONAVI



Ty Innovations Pte Ltd  
2017.09  
Tel: +65 67794500  
Email: sales@tyinnovations.com

