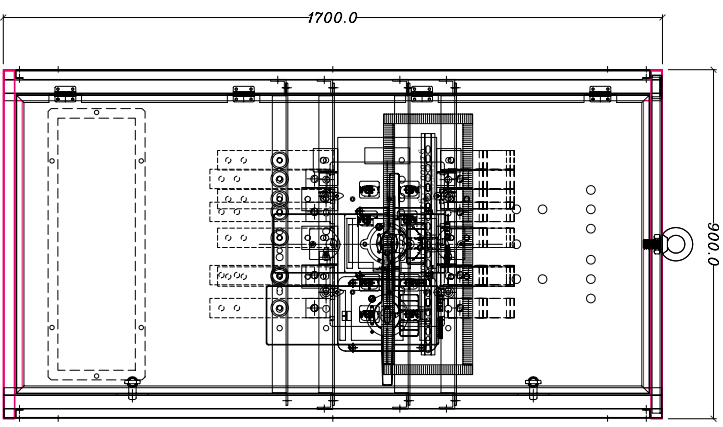
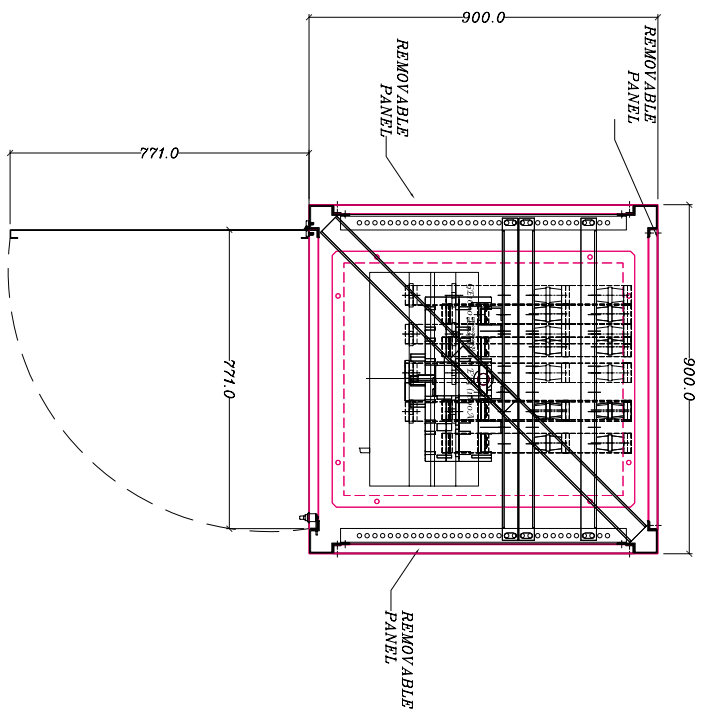
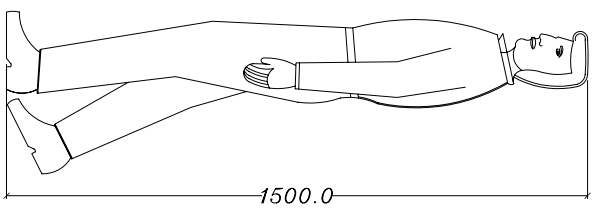
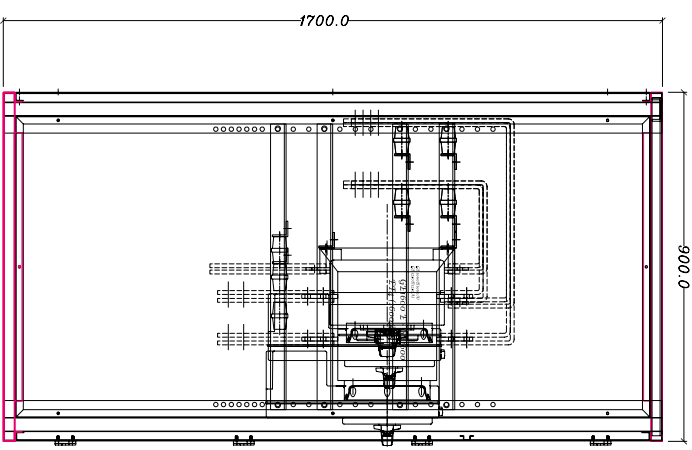
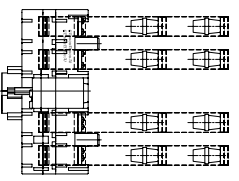
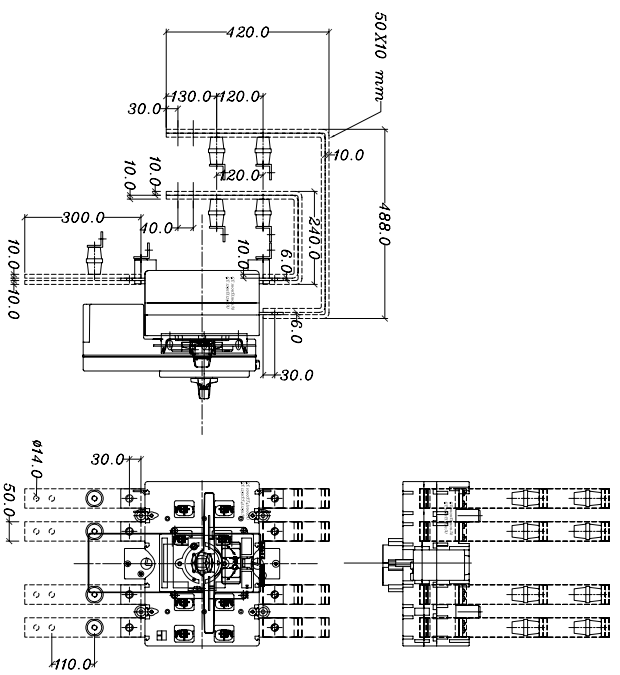
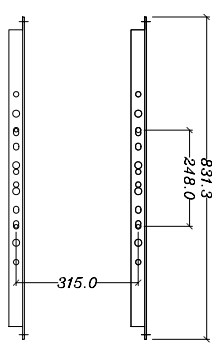


GEI250 E - GEI250 ET4
Motorised Control Unit - TYPE GEX69 3



GEI250 E - GEI250 ET4
FIXING HOLE DETAILS



DO NOT SCALE PRINT	PRECISION INDUSTRIES®	
SCALE 1:1	TITLE ENCLOSURE OUTLINE	
DATE 27/05/2012		
REV# 00		
30-60-P25		
1		
A3		