

SYNTHESIS 08/50 ELECTRIC CONVEYOR OVEN

2SV4404A



SPECIFICATIONS

Voltage	Trifase, 400 Vac 50-60 Hz Current at 400V 3N~ 24.4 Amp	
Max Power	14200 Watts	
Weight	180 kg	
Plug Supplied	No, lead only	
Noise level	<70 Decibel	
Conveyor Width	20" (500mm)	
Conveyor Length	1670mm	
Chamber Length	850mm	
Chamber Height	100mm	
Cable Length	2m	
Time Range	1:45 minutes - 30 minutes (or complete halt)	
Thermostat	320°C	
Ambient Temp	0 - 40°C	
Max Humidity	95% Humidity without condensation	
Warranty	4 Year Warranty (2 yr Labour 4 yr Parts)	



Main Features

- Made entirely from stainless steel
- Double glazed full width inspection door
- Easy access for thorough cleaning
- Cooling system for contact parts
- Omnidirectional wheels with breaks
- Conveyor belt with variable speed down to a complete halt
- 100 mm high cooking chamber
- Fine tuning of the ventilation flow jets of hot air completely wrap the product as it moves along the wire mesh conveyer giving an evenly cooked result time after time
- All Synthesis ovens are stackable so you can step up your productivity to meet peak demand
- Total control of Top heating % Power and Bottom Heating % Power allowing total control
- Management of 6 cooking programs: for each program you can set the cooking time, temperature and min/max adjustments to the power % of top / bottom Elements.
- Economy function keeps the oven at a lower temperature if it doesn't need to be operated at full working temperature
- Timer for programmed start, digital clock and self diagnostics

DIMENSIONS

External Width	1750mm	Internal Width	850mm
External Depth	1260mm	Internal Depth	500mm
External Height	490mm	Internal Height	100mm

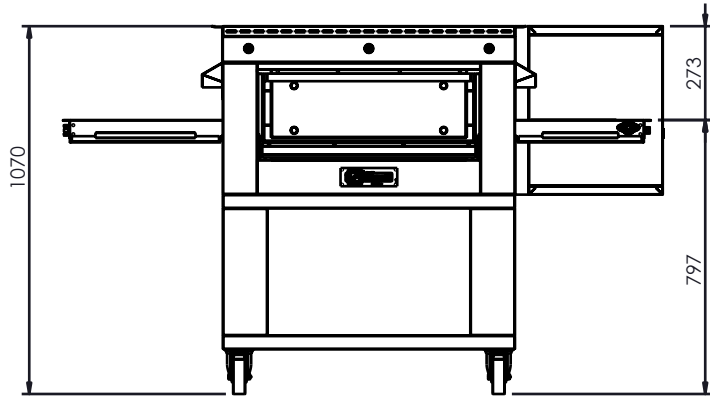


Phone: 1800 183 818 Email: support@thegoodlady.com.au
Website: www.thegoodlady.com.au

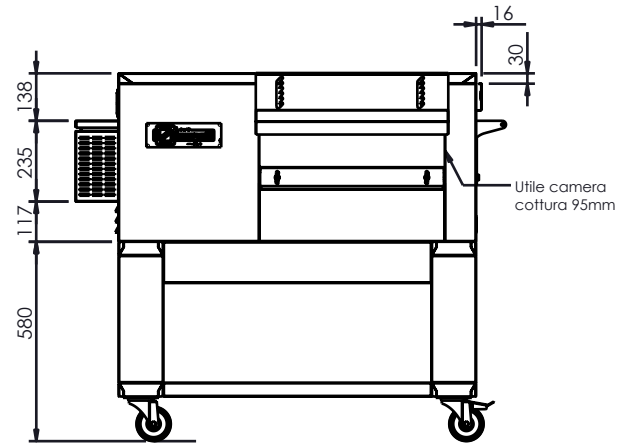
SYNTHESIS 08/50 SINGLE STACK CONVEYOR



FRONT

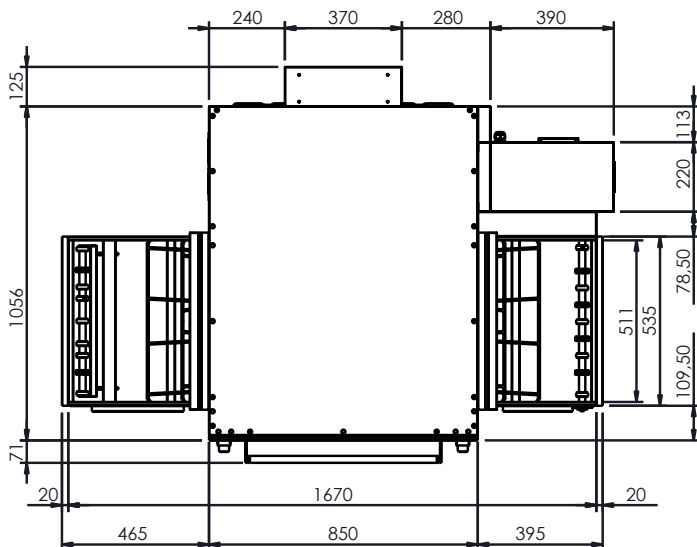


SIDE

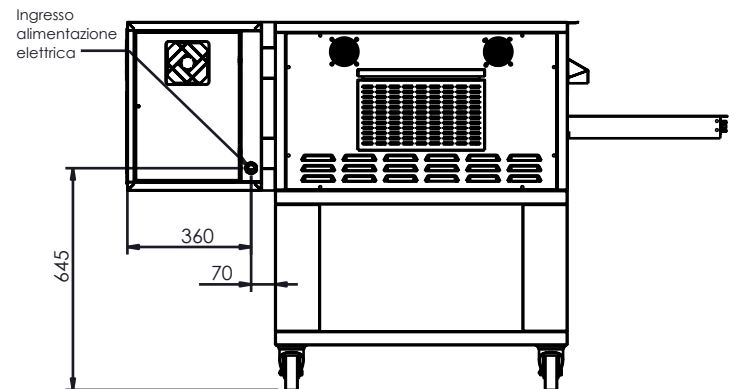


Num. articolo	Quantità	Descrizione	Potenza el
11		0SV2A05	
21		2SV4404	13.8+0.44Kw Power

TOP



REAR



We reserve the right to alter specifications without notice.



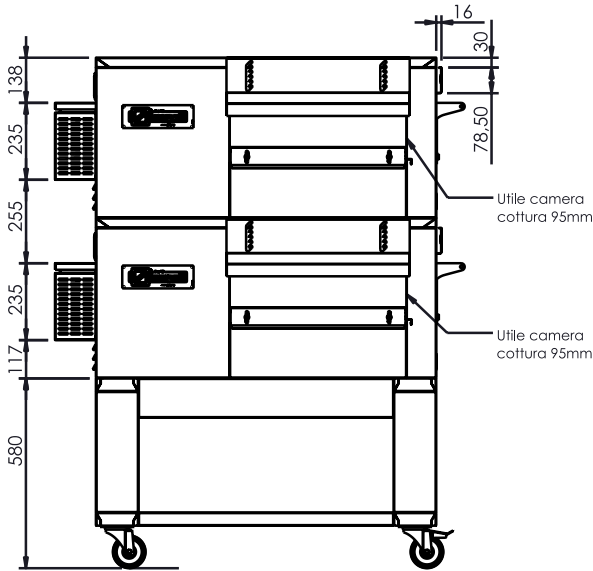
THE
GOOD
LADY

Phone: 1800 183 818 Email: support@thegoodlady.com.au
Website: www.thegoodlady.com.au

SYNTHESIS 08/50 DOUBLE STACK CONVEYOR

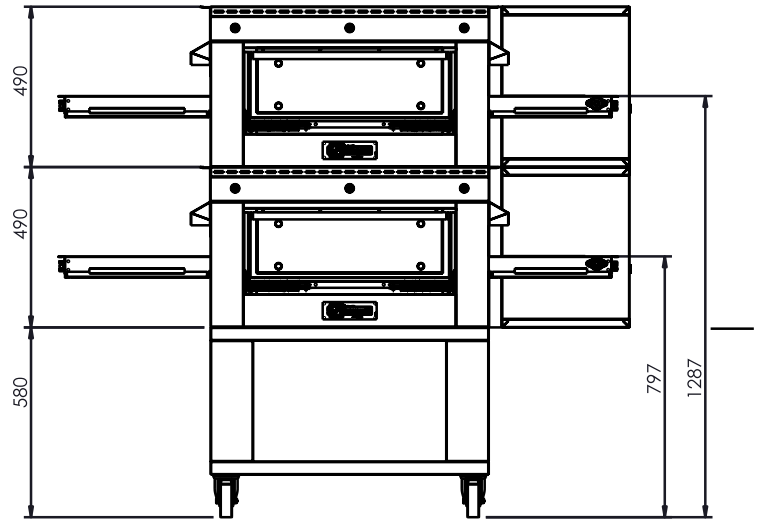


FRONT

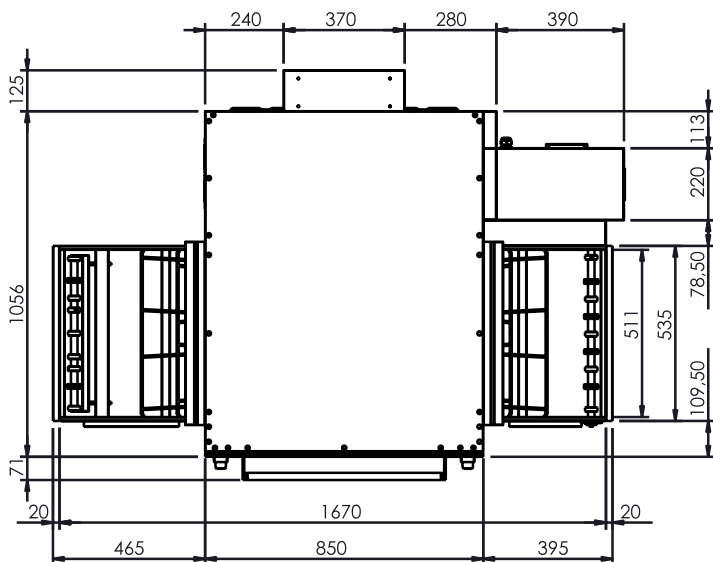


Num. articolo	Quantità	Descrizione	Potenza el
1	1	OSV2A05	
2	2	2SV4404	27.6+0.88Kw Power

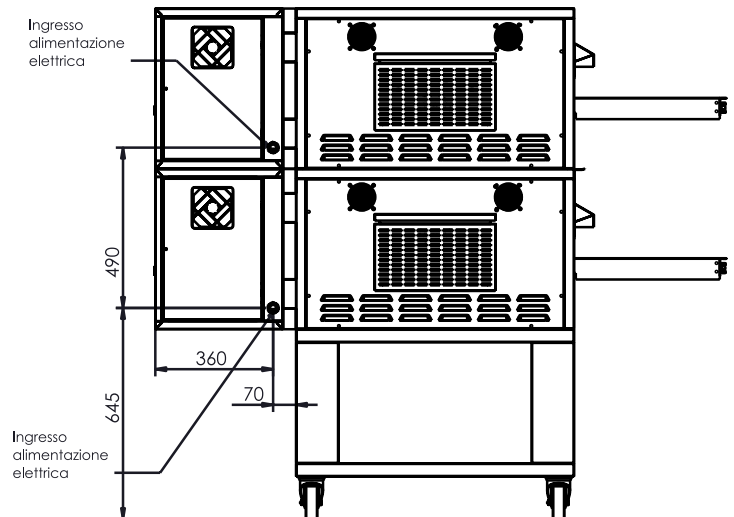
SIDE



TOP



REAR



We reserve the right to alter specifications without notice.

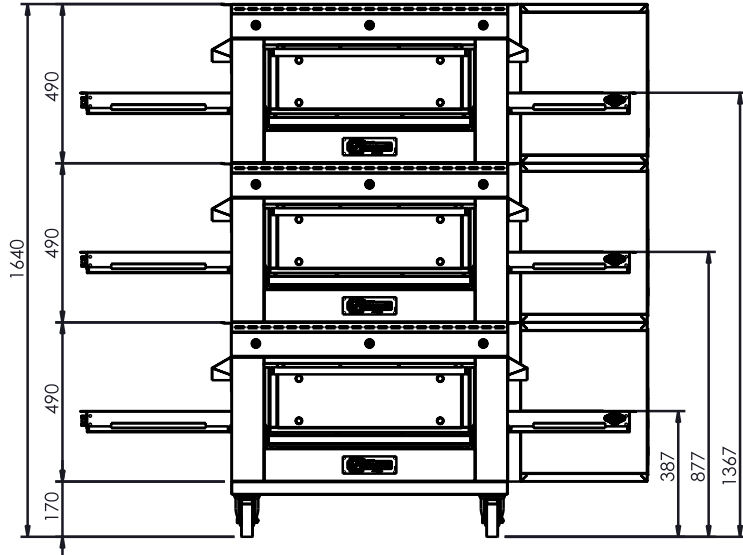


Phone: 1800 183 818 Email: support@thegoodlady.com.au
 Website: www.thegoodlady.com.au

SYNTHESIS 08/50 TRIPLE STACK CONVEYOR

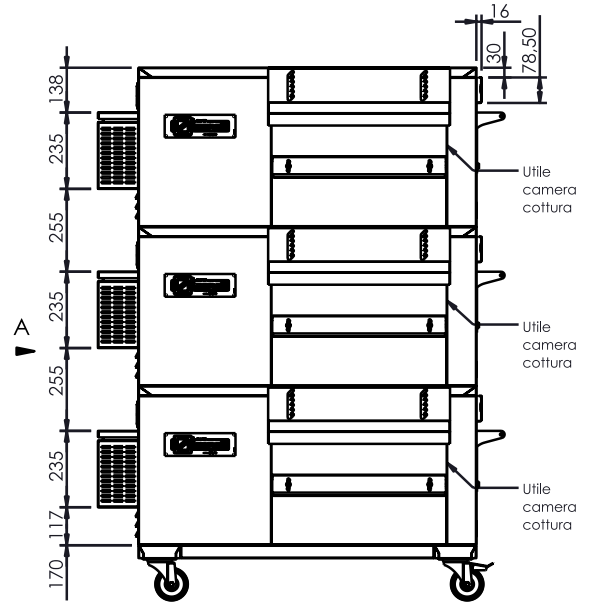


FRONT

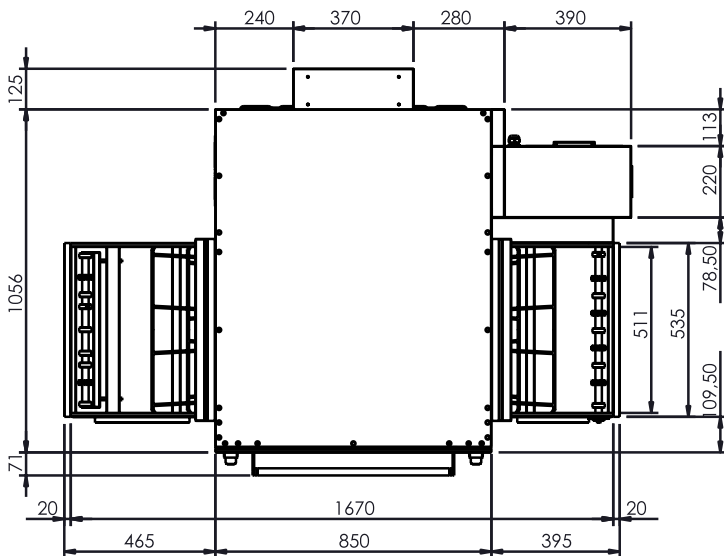


Num. articolo	Quantità	Descrizione	Potenza el
1	1	OSV2A08	
2	3	2SV4404	41.4+1.32Kw Power

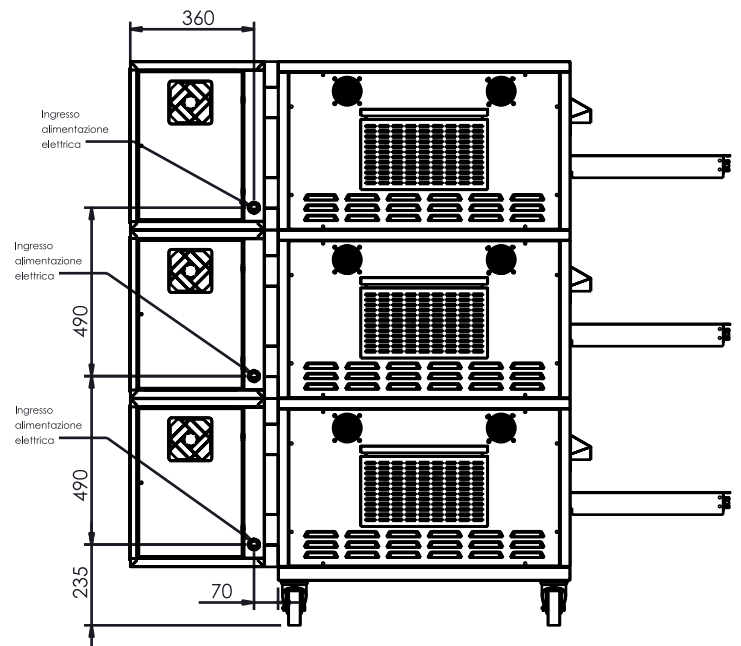
SIDE



TOP



REAR



We reserve the right to alter specifications without notice.



Phone: 1800 183 818 Email: support@thegoodlady.com.au
 Website: www.thegoodlady.com.au