



info@ionups.com.au  
www.ionups.com.au

P: 1300 700 805

# F-SCSX

## Split Current Sensor

100A / 200A / 500A

---



The ION F-SCSX is a split core current sensor that comes in three options ranging from 100A, 200A and 500A. Designed to work with the SP12B sensor pod for easy integration and plug and play setup. The F-SCSX is a bi-directional sensor that measures both AC and DC current and comes with an RJ45 input connector. The F-SCSX communicates via RS485. The split core configuration means that the sensor can be retrofitted to existing installation without the need for re-cabling.



---

## F-SCSX FEATURES

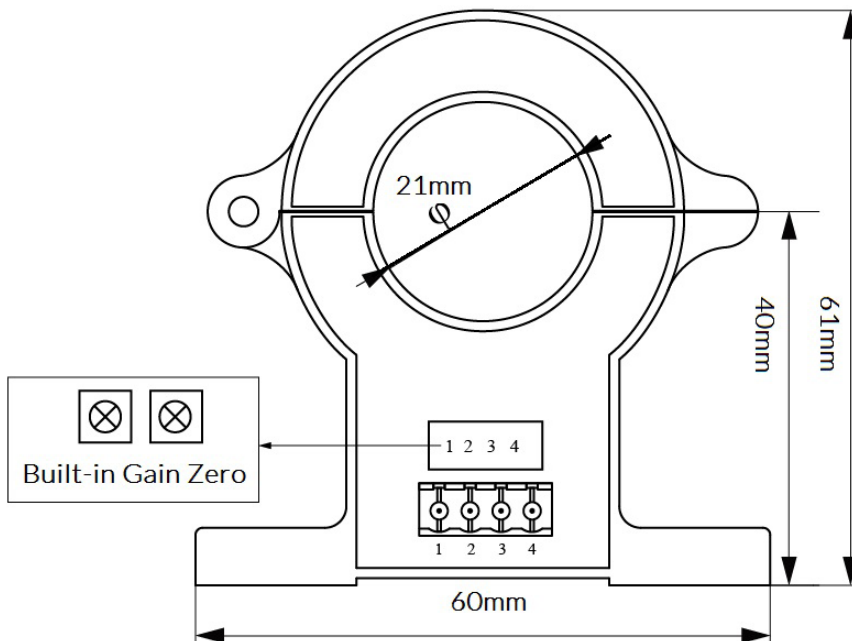
- 2 Year Warranty
- 100A, 200A and 500A options
- Split core enabling simple retrofits
- RJ45 Input connector
- RS485 Communications
- Easy Integration and Setup
- Measures both AC and DC currents
- Bi-Directional

# F-SCSX

## Split Current Sensor

### Specifications

	F-SC1	F-SC2	F-SC3
Rated Input	±100A	±200A	± 500A
Accuracy	1%		
Linearity	< 0.1%		
Supply Voltage ( +5%)	12V		
Current Consumption (Max Watts)	2		
Communications	RS485		
Response Time	< 3 μs		
Flame resistance	UL94-V0		
Working Temperature	-10 / +70° C		
Storage Temperature	-40 / +85° C		
Bandwidth	DC / 25kHz		
Dielectric Strength	2.5KV 50Hz 1 min		
Dimensions: (mm)	W60 x D16 x H61, Weight 72g		
Warranty	2 Year Warranty		



\*Product specifications are subject to change without further notice.  
\*2 Year Warranty please refer to the ION website for more information.