

Beltor QDS Spherical Tow Point

The Beltor QDS Spherical Tow Coupling is a unique product which allows for increased articulation and better towing. With the ability to move in any direction, the coupling adapts to changes in floor conditions and grades without compromising the integrity of the tow point. It is possible to have a better than 90deg articulation when manoeuvring towed equipment.

The coupling is designed for to be used with the QDS in a 'crowded' position to minimise crush points, allow easy visibility from the LDH.

Features :

- Extended Tow Hitch
- Able to Pivot 180 Deg Horizontal
- Able to Pivot 30 Deg Vertical
- Design R.A and Engineers Certificates

Specification :

- Size – 1130mm Wide x 1210mm High x 1305mm Long
- Mass – 745 Kg
- Direct Pull Load – 20T
- Compliance Plate and Plant No. attached.

All Beltor products are **FULLY WELDED**, unless noted otherwise. A fully welded product means no water traps between members and plates that may encourage premature rust and reduce life of implement.



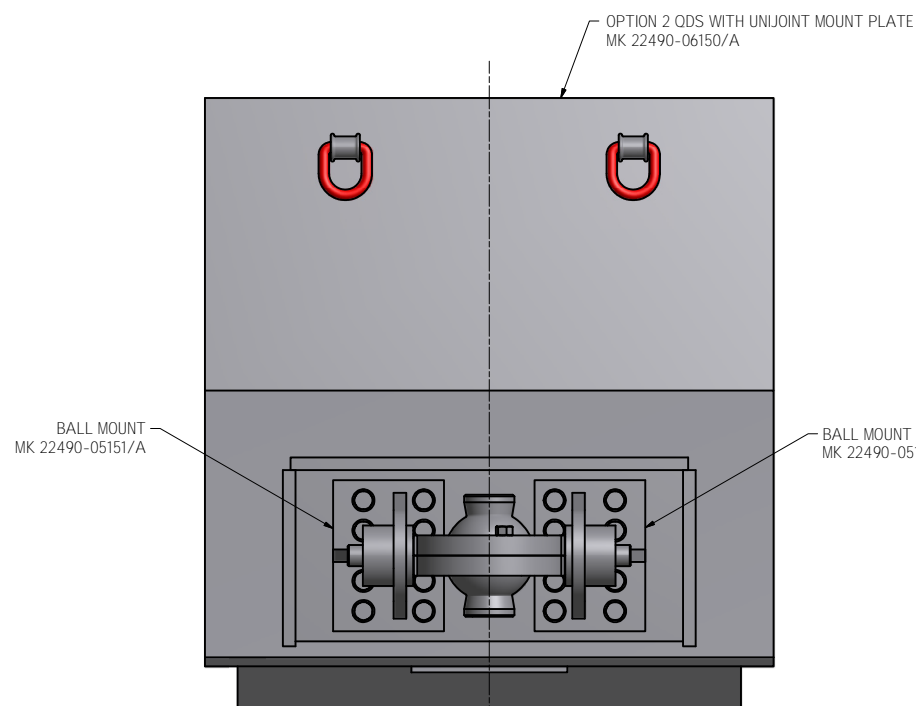
A Heavy Duty Spherical Tow Attachment designed for mine conditions

1	2
MK NUMBER	DESCRIPTION
MK 22490-06150/A	OPTION 2 QDS WITH UNJOINT MOUNT PLATE
MK 22490-05151/A	BALL MOUNT
MK 22490-05151/B	BALL
MK 22490-05151/C	BALL TOP PLATE
MK 22490-05151/D	BALL BOTTOM PLATE

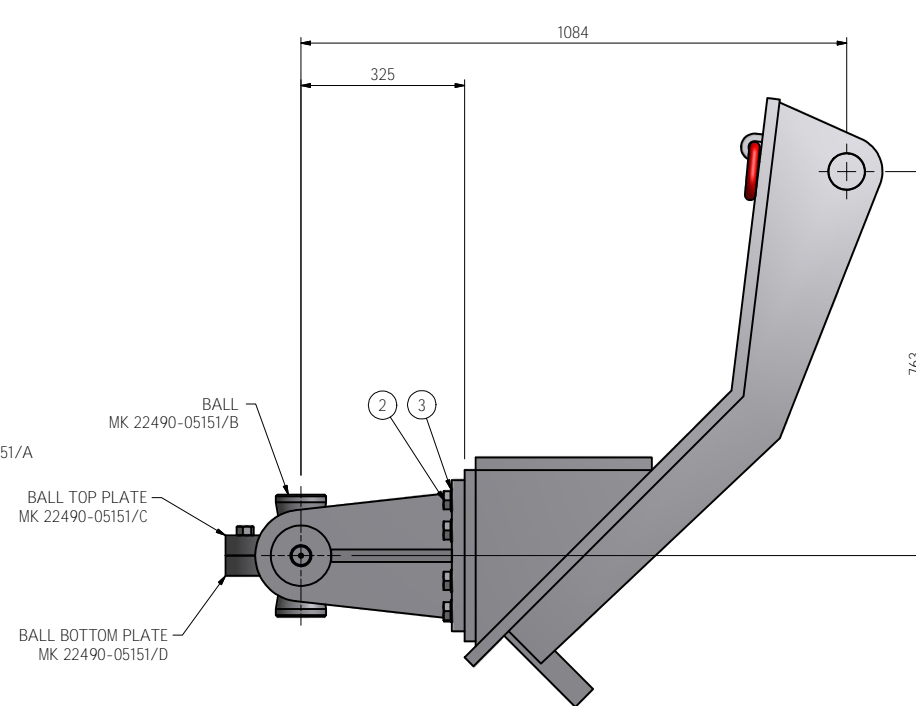
* IF IN DOUBT ASK *

10	11	12			
ITEM	QTY	DESCRIPTION	LENGTH	GRADE	MASS(kg)
1	12	M20x60 SOCKET HEAD CAP SCREW	-	-	0.2
2	16	M24x55 HEX HEAD BOLT	-	-	0.3
3	16	M24 WASHER	-	-	0.1

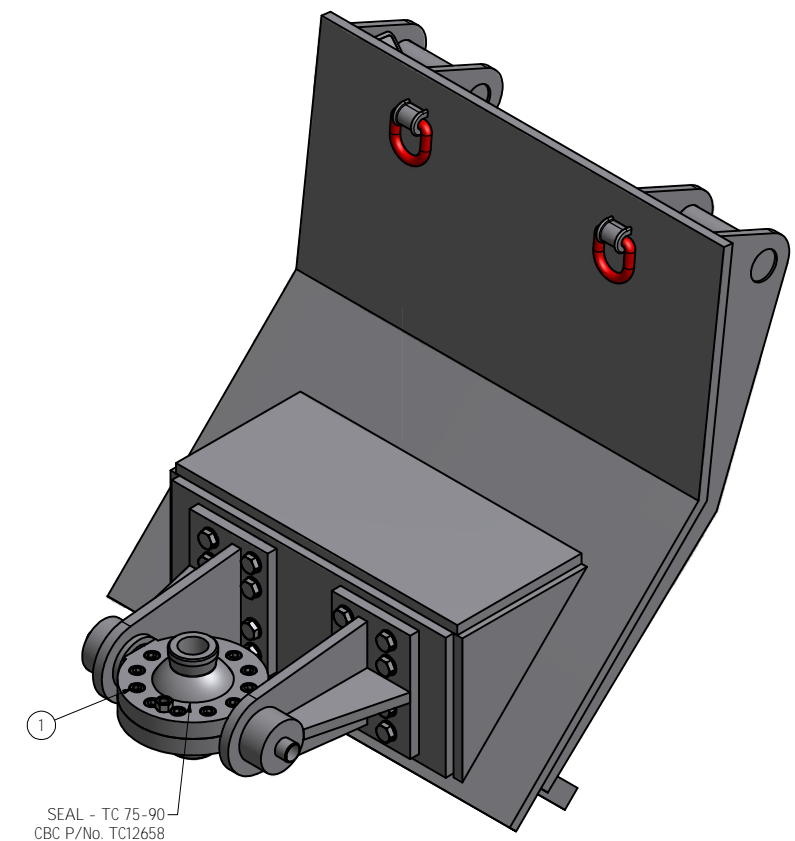
APPROX. TOTAL MASS = 745.0 kg
 APPROX. O/A LENGTH = 1305 mm
 APPROX. O/A WIDTH = 1130 mm
 APPROX. O/A HEIGHT = 1210 mm



ELEVATION
 OPTION 2 QDS WITH UNJOINT MOUNT PLATE & COUPLING BALL -
 MK 22490-06000/A
 SCALE 1:7.5



R/H ELEVATION



ISOMETRIC
 SCALE 1:7.5

FOR APPROVAL

* IF IN DOUBT ASK *

REV	DATE	DESCRIPTION	DRAWN	REF DRAWING	REFERENCE DRAWING TITLE
D	23/3/11	REVISED - O/A BLOCK & DIMENSIONS ADDED	M.BYRNES		
C	18/6/10	REVISED - SEAL ADDED	M.BYRNES	22490-02001	OPTION 2 QDS & TOW GENERAL ARRANGEMENT
B	1/8/08	ISSUED FOR APPROVAL	M.BYRNES	22490-05151	STANDARD QDS COUPLING DETAILS
A	21/7/08	FIRST DRAWN	M.BYRNES	22490-06150	OPTION 2 QDS WITH UNJOINT MOUNT PLATE GENERAL ARRANGEMENT

DO NOT SCALE
 UNLESS OTHERWISE NOTED

ALL
 DIMENSIONS IN MILLIMETRES

MCKAJ JOB No.
 22490

McKajj Services Pty Ltd
 Project Management - Engineering - Drafting
 19 Herbert Street, BELMONT. NSW. 2280
 PO Box 84, Warners Bay, NSW. 2282
 Ph: (02) 49454111 Fx: (02) 49451070
 Email: office@mckajj.com.au Web: www.mckajj.com.au

This information contained in this document is the copyright of the nominated Client or Supplier. It is intended for the use of the individual(s) or company(s) named. Copying of this information or distribution to third parties is strictly prohibited without the written consent of the Client or Supplier.

PO BOX 4187 Edgeworth NSW Australia 2285
 Office & Works The Broadway Killingworth
 Ph: 02 4953 2444 02 4953 2445 Fax: 02 4953 3140
 website: www.beltorengineering.com.au

CLIENT		PROJECT		DRAWING TITLE	
BELTOR ENGINEERING		STANDARD QDS		OPTION 2 QDS WITH UNJOINT MOUNT PLATE & COUPLING BALL GENERAL ARRANGEMENT	
FIRST DRAWN	SCALE	DRAWING No.	REV	SHEET	
21/7/08	1:7.5	22490-06000	D	A1	