

Silver Series Canopy Light 45w



DESCRIPTION:

Touch-Plate's Canopy Parking Garage Lights were designed to offer better security, more lumens, and higher cost savings. Our Canopy Parking Garage Lights can offer energy savings of 70% or greater over traditional metal halide or high pressure sodium lighting. Our LEDs are optimal for new construction and retrofit installations.

PRODUCT FEATURES:

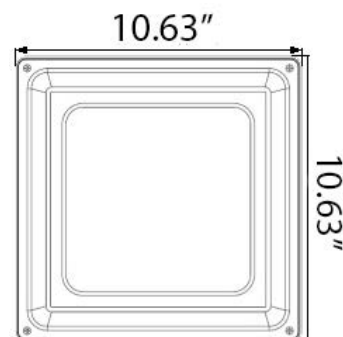
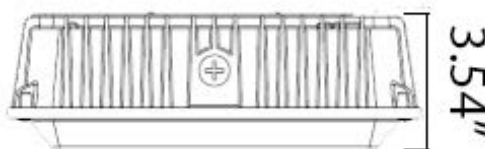
- Instant Start: no flickering or humming
- UV and IR free
- Die cast aluminum housing
- Lifetime of 50,000 hrs or greater
- UL Listed (E468128)
- DLC Listed
 - SNC- CP-45W-2111-1601
- 5 Year Limited Warranty

SPECIFICATIONS:

- Wattage: 45w
- Lumens: 4,800 (approx > 110lm/w)
- Equivalence: 70W CFL / 150W MHL/HPS/HID
- IP Rating: IP65
- LED Chips: Philips Lumileds 3030 2D
- PF: >0.90
- Lens: Milky Glass
- Beam Angle: 120°
- Color : White

PHYSICAL PARAMETERS:

- Dimensions
 - Width: 10.63"
 - Depth: 3.54"
 - Length: 10.63"
- Weight
 - 7.48 lbs



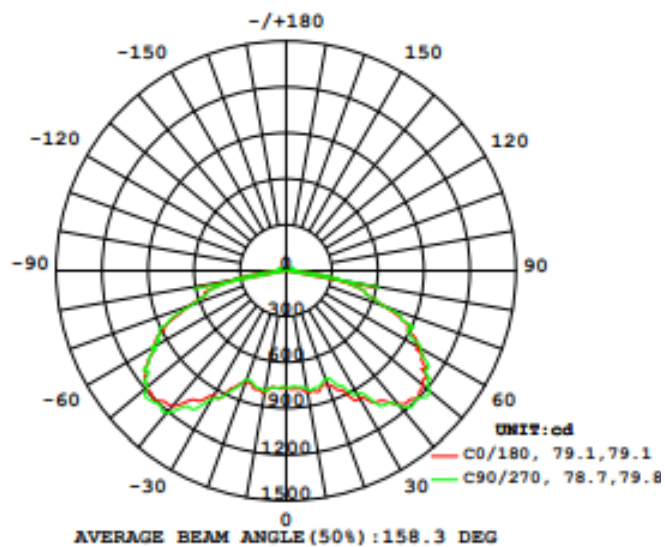


Silver Series Canopy Light

ORDERING GUIDE

LED Type XXX -	Lumens - Wattage XXJ - JJJ	CCT -XX	Voltage X
<ul style="list-style-type: none"> CPG Canopy Parking Garage 	<ul style="list-style-type: none"> 048 - 045 4,800lm - 45w 	<ul style="list-style-type: none"> 40 4000k 50 5000k 57 5700k 	<ul style="list-style-type: none"> U 100-277v

PHOTOMETRIC



Silver Series Canopy Light

INSTALLATION INFORMATION (WIRING)

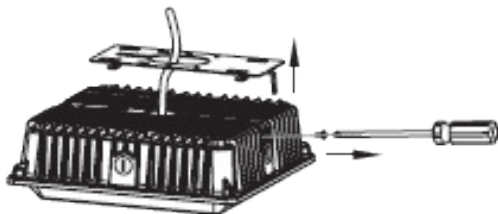
This product must be installed in accordance with National Electrical Code(NEC) and/or applicable local codes, by a qualified electrician.

DANGER - RISK OF SHOCK - DISCONNECT POWER BEFORE INSTALLATION

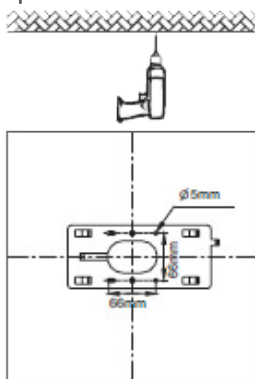
- Make the necessary 'HOT' (Black or Brown) , 'Neutral' (White or Blue) , and 'Ground' (Green) connections in an approved junction box.

INSTALLATION INFORMATION

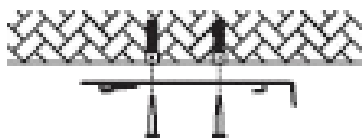
1. Remove the plate from the LED fixture.



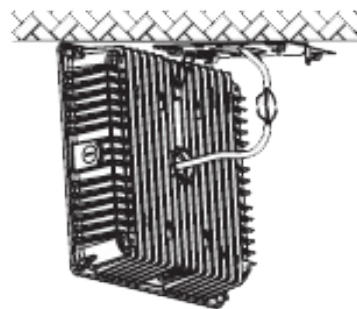
2. Drill holes in the ceiling based on the plate.



3. Place the plastic wall anchors in the holes. Affix the plate to the ceiling with screws and/or washers.



4. Hang the fixture by the plate, then make the wire connections: Black/ Brown (Line), White/Blue (Neutral), & Green/Yellow- Green (Ground).



5. Install the fixture by fastening the screws on both sides of the fixture.

