

# RVU6421

## TOPMOUNT LAUNDRY SINK

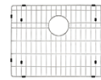
**RUVATI**<sup>®</sup>  
SPECIFICATION SHEET

### MATERIAL

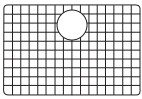
True 16 Gauge Thickness  
Premium T304 Grade Stainless Steel  
18/10 Chromium/Nickel Content  
Commercial Brushed Finish

### FEATURES

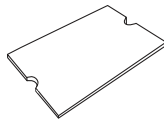
- Heavy duty sound guard padding and undercoating
- Slanted bottom with elegant drain grooves for easy draining
- Single-Tier Ledge for Accessories



### IN THE BOX



Rinse Grid  
[RVA68221]



Cutting Board  
[RVA1221]



Basket Strainer  
[RVA1025]



Mounting Clips  
[RVA11042]



Cut-out  
Template

### NOMINAL DIMENSIONS

Exterior: 21" (wide) x 20" (front-to-back)  
Interior Bowl: 19" (wide) x 14-5/8" (front-to-back)  
Bowl Depth: 12"  
Minimum Cabinet Size: 24" wide  
Drain Hole Size: 3-1/2"

Installation Type:  
Topmount

Inside Corners:  
Zero Radius

Drain Location:  
Rear Center

**RUVATI USA**

www.ruvati.com

Phone: 1.855.478.8284  
Email: support@ruvati.com

# OPTIONAL ACCESSORIES (SOLD SEPARATELY)

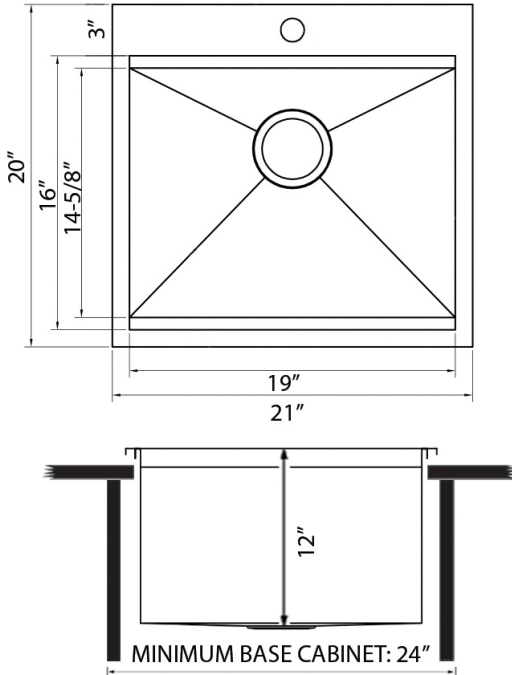


Deep Basket  
Disposal Flange  
[RVA1049ST]



Drain Cover  
[RVA1035]

## DIMENSIONS



Register your product at [www.ruvati.com/register](http://www.ruvati.com/register).