



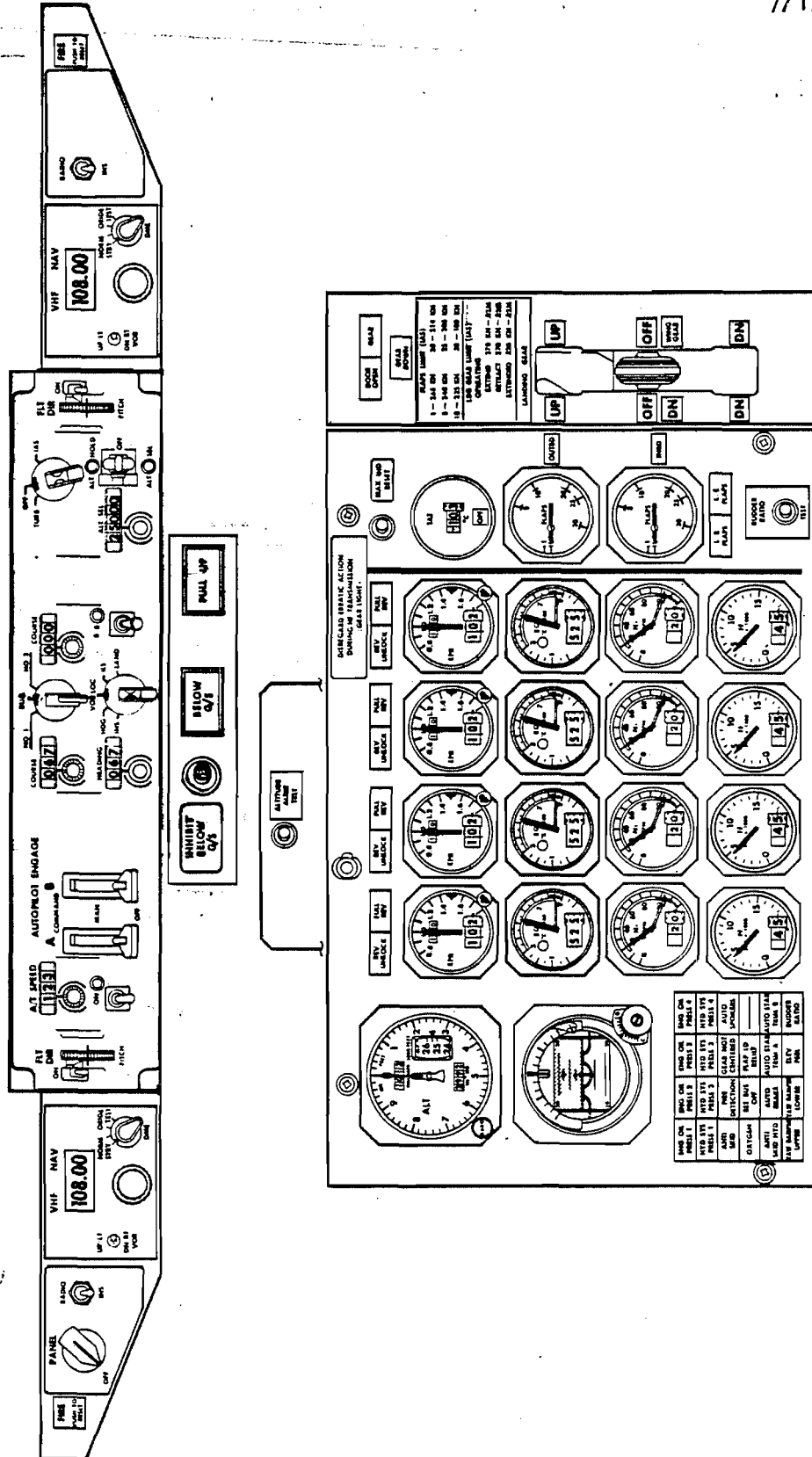
FLYING TIGERS

747 Operating Manual

6/15/76

7/1/76

PILOTS' CENTER INSTRUMENT PANEL & LIGHTSHIELD





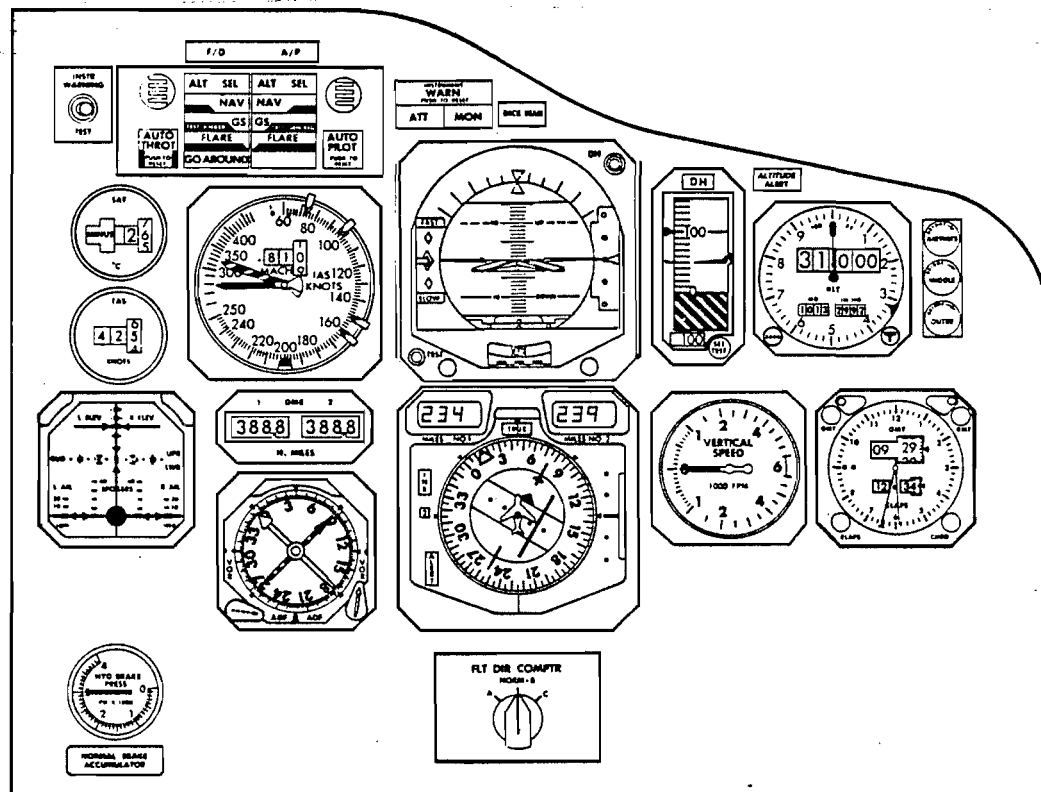
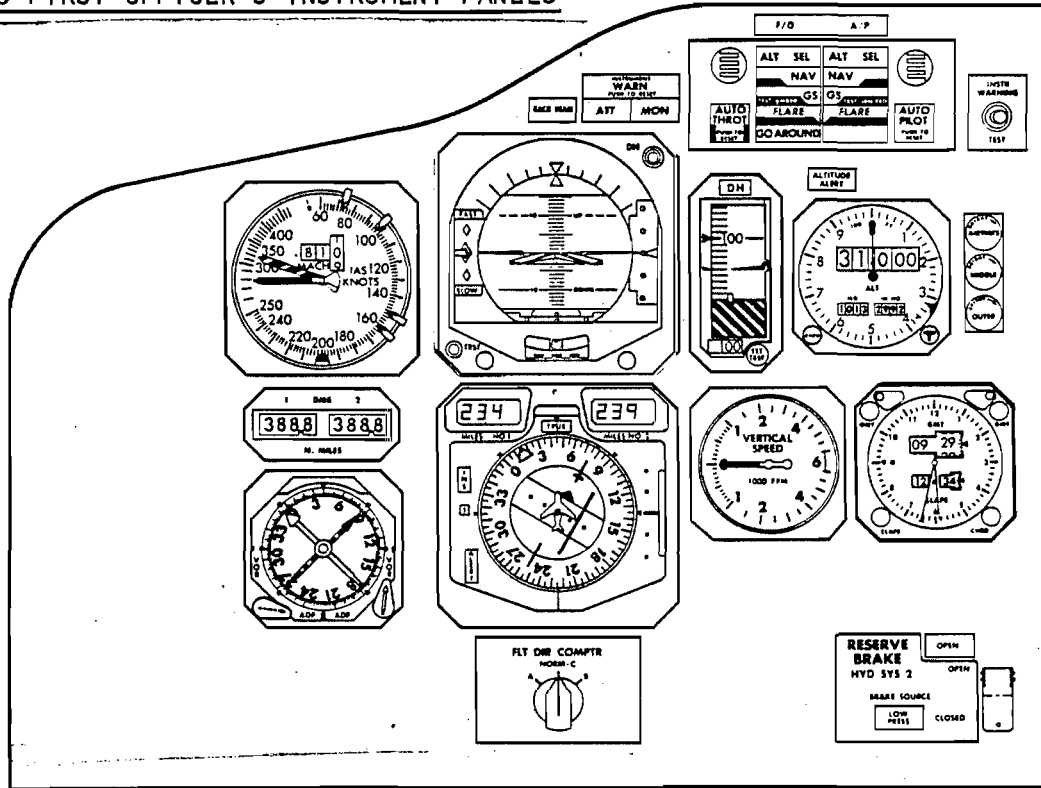
FLYING TIGERS

747 Operating Manual

6/15/76

9/1/77

CAPTAIN'S & FIRST OFFICER'S INSTRUMENT PANELS



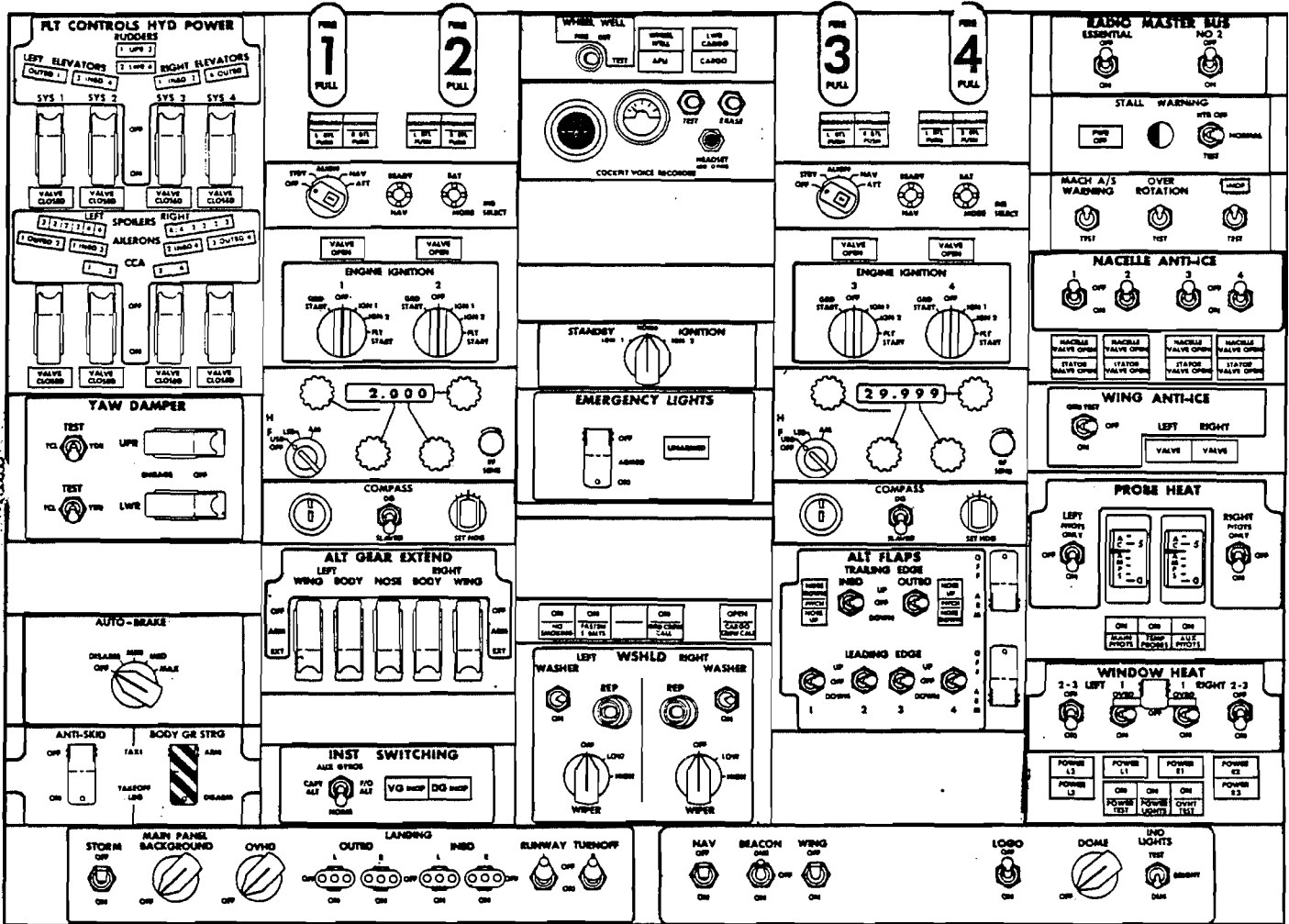
FLYING TIGERS

747 Operating Manual

6/15/76

7/1/76

PILOTS' OVERHEAD PANEL





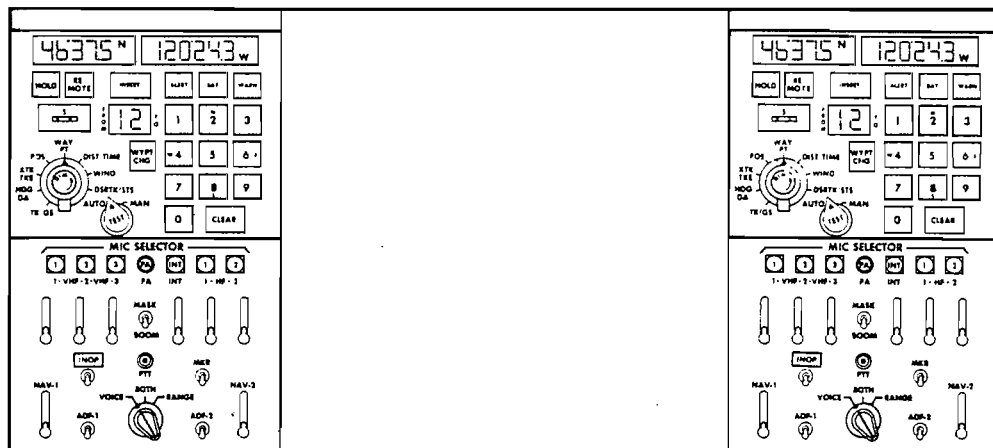
FLYING TIGERS

747 Operating Manual

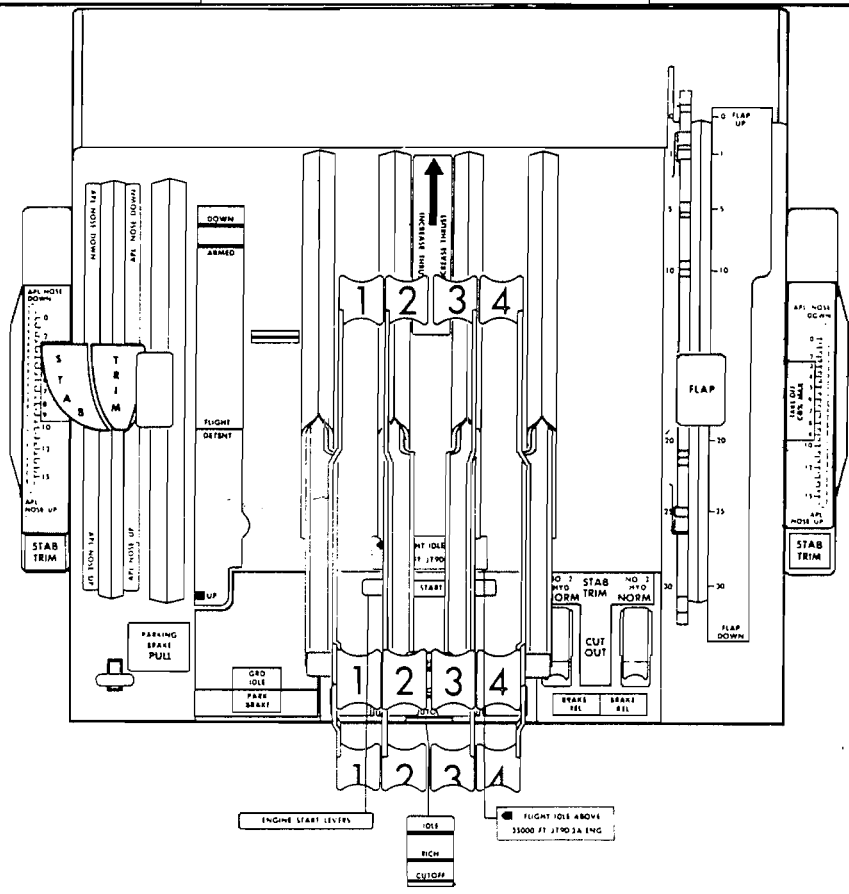
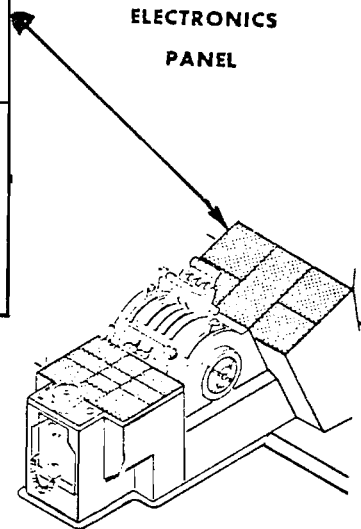
6/15/76

7/1/76

PILOTS' CONTROL STAND



FORWARD
ELECTRONICS
PANEL



FLYING TIGERS

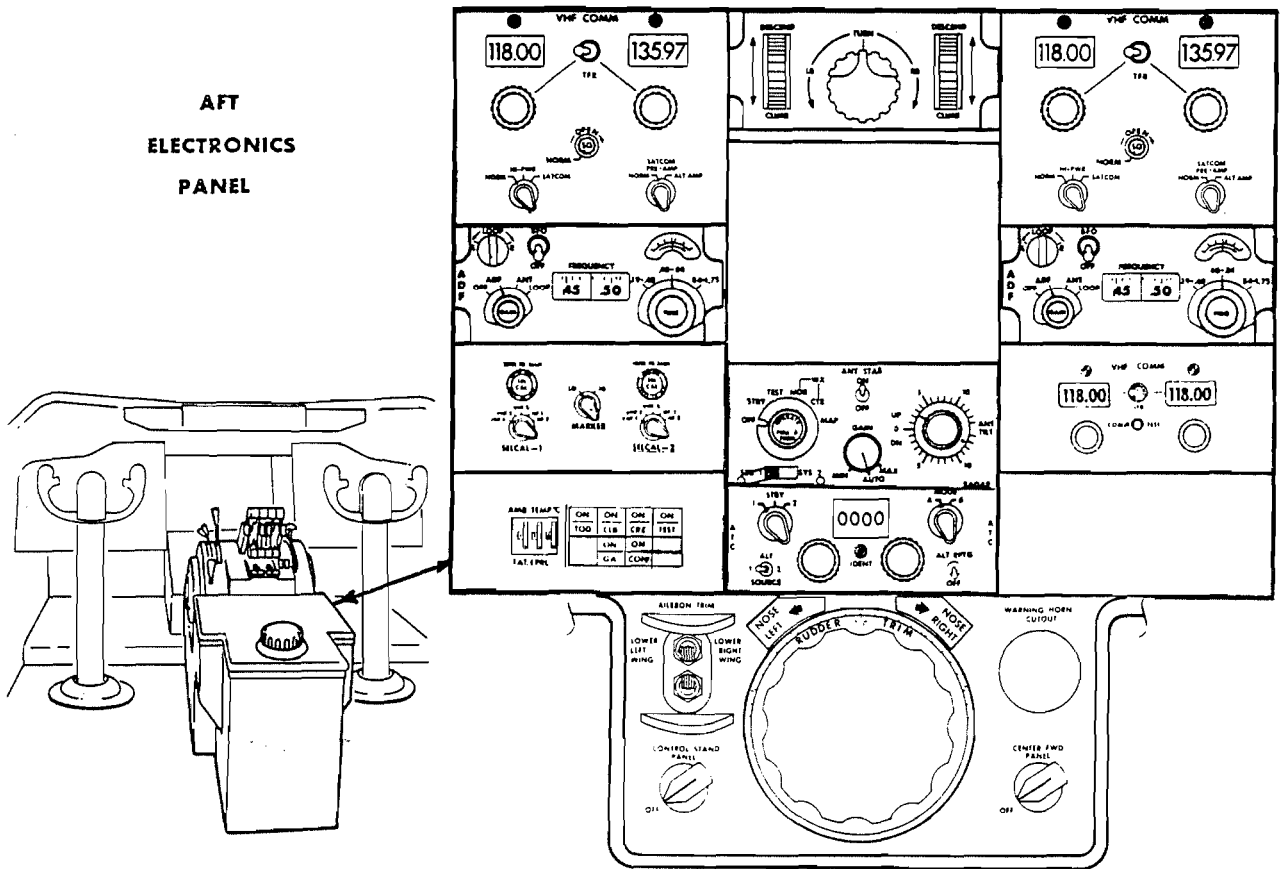
747 Operating Manual

6/15/76

7/1/76

AFT ELECTRONICS PANEL

AFT
ELECTRONICS
PANEL



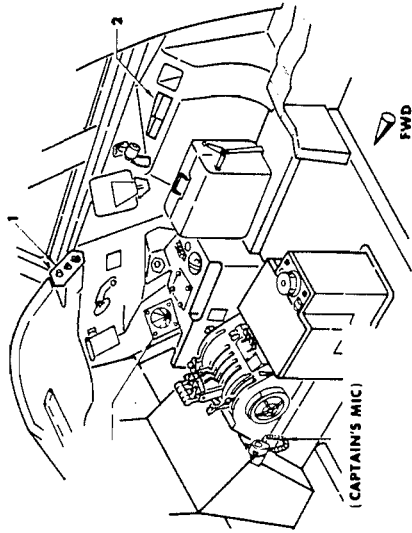
FLYING TIGERS

747 Operating Manual

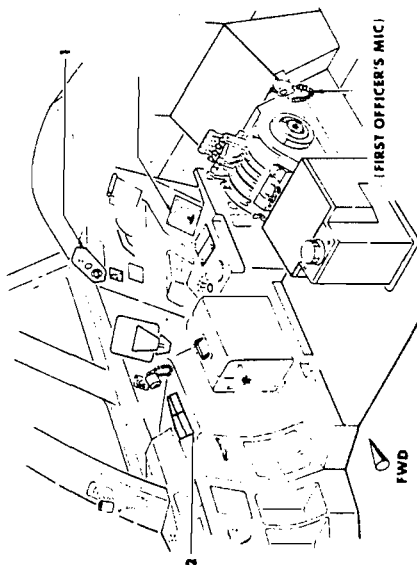
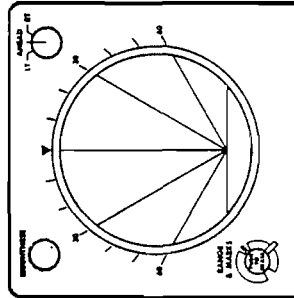
6/15/76

7/1/76

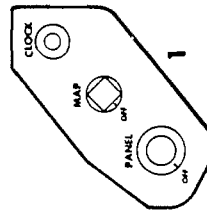
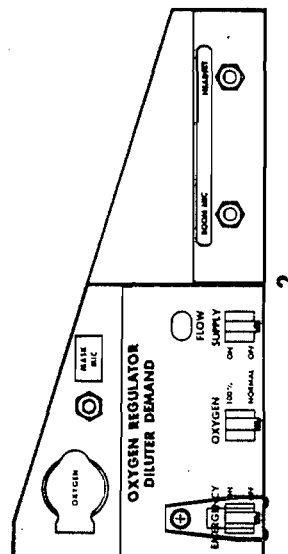
CAPTAIN'S & FIRST OFFICER'S AUXILIARY PANELS



FIRST OFFICER'S SIDE



CAPTAIN'S SIDE



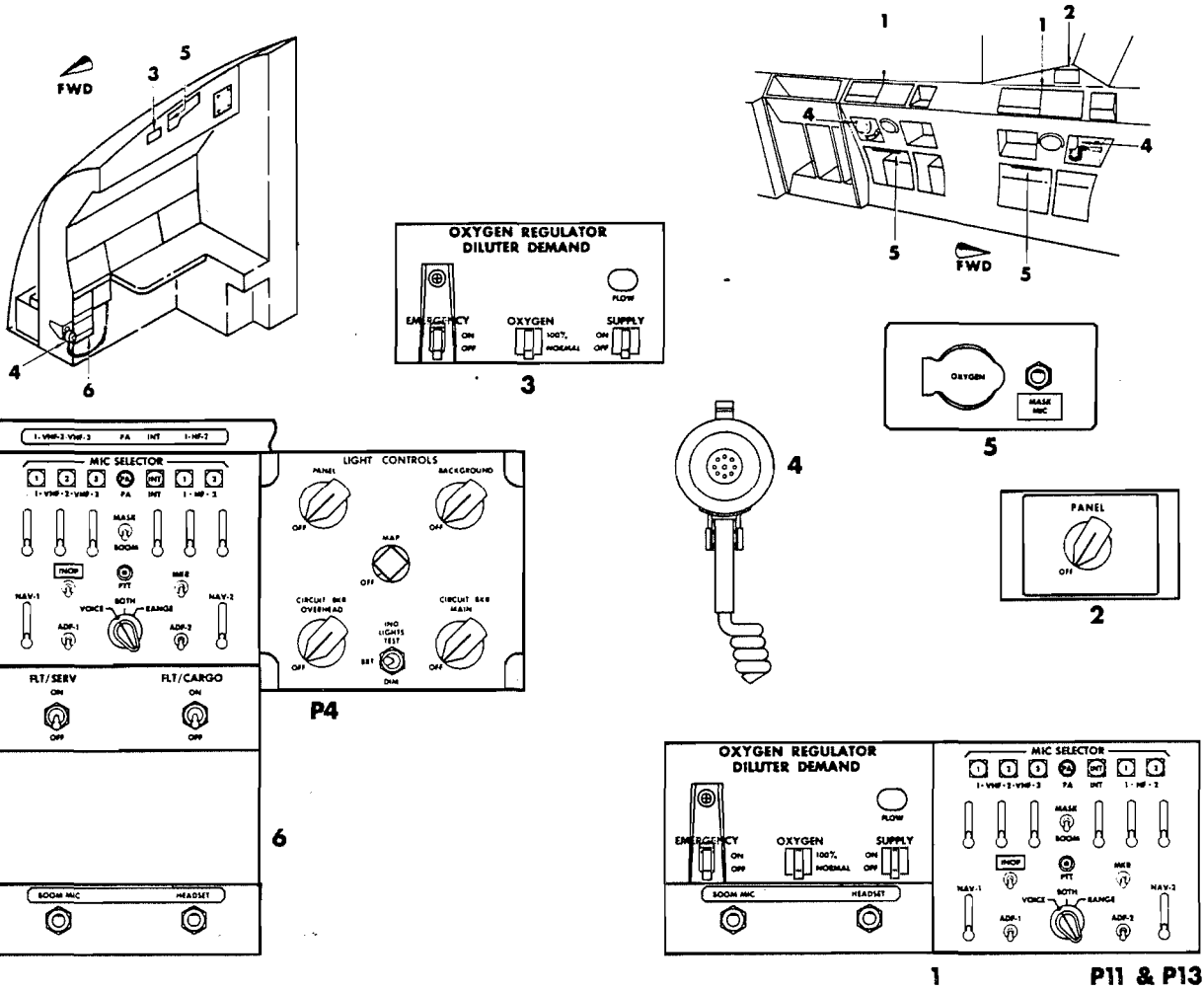
PANELS 1 AND 2 ARE SHOWN FOR CAPTAIN'S SIDE ONLY. FIRST OFFICER'S ARE OPPOSITE.

FLYING TIGERS

747 Operating Manual

6/15/76
7/1/76

SECOND OFFICER'S AUXILIARY PANEL & OBSERVER'S PANELS



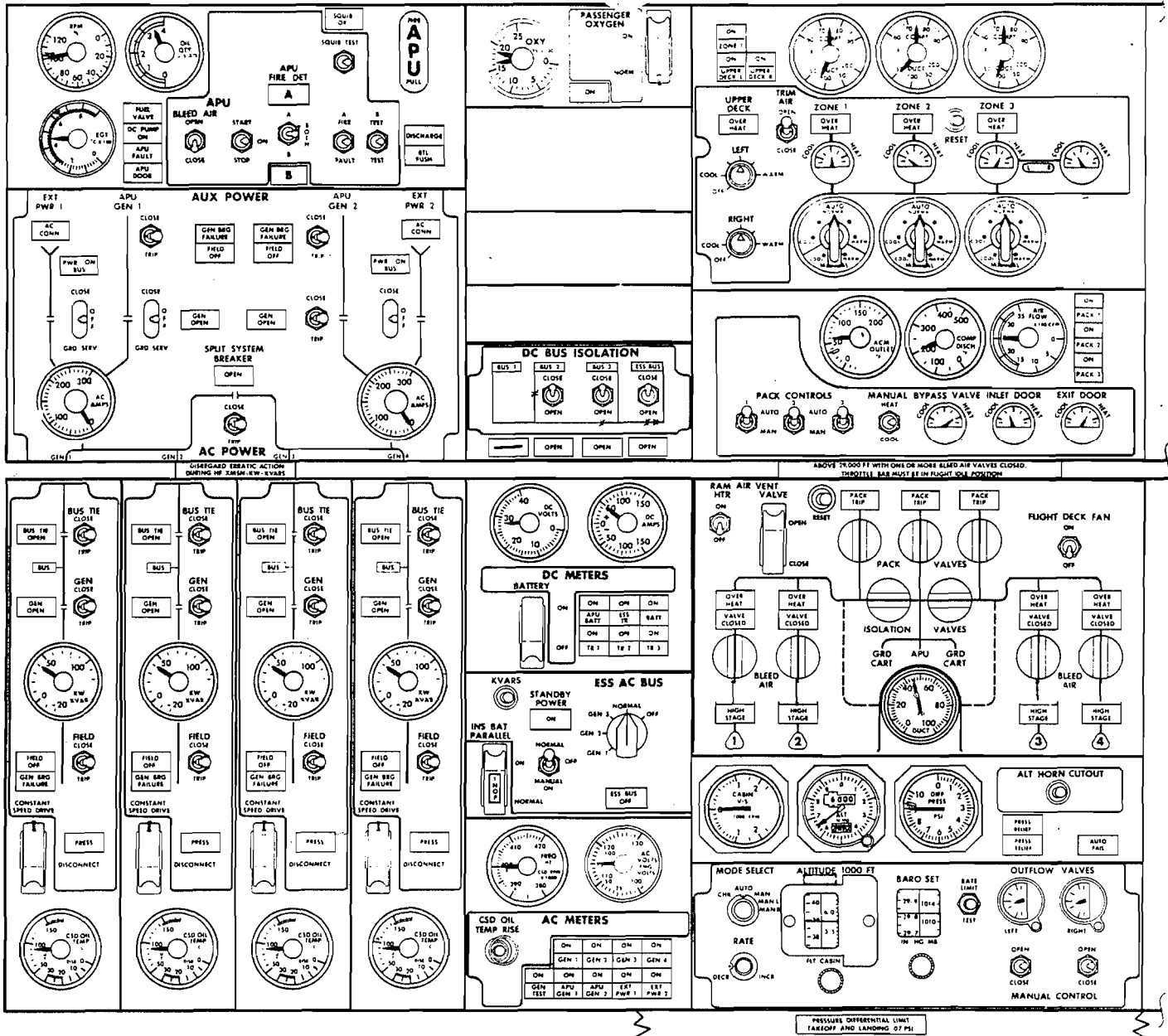
FLYING TIGERS

747 Operating Manual

6/15/76

7/1/76

SECOND OFFICER'S INSTRUMENT PANEL-UPPER PANELS-LEFT



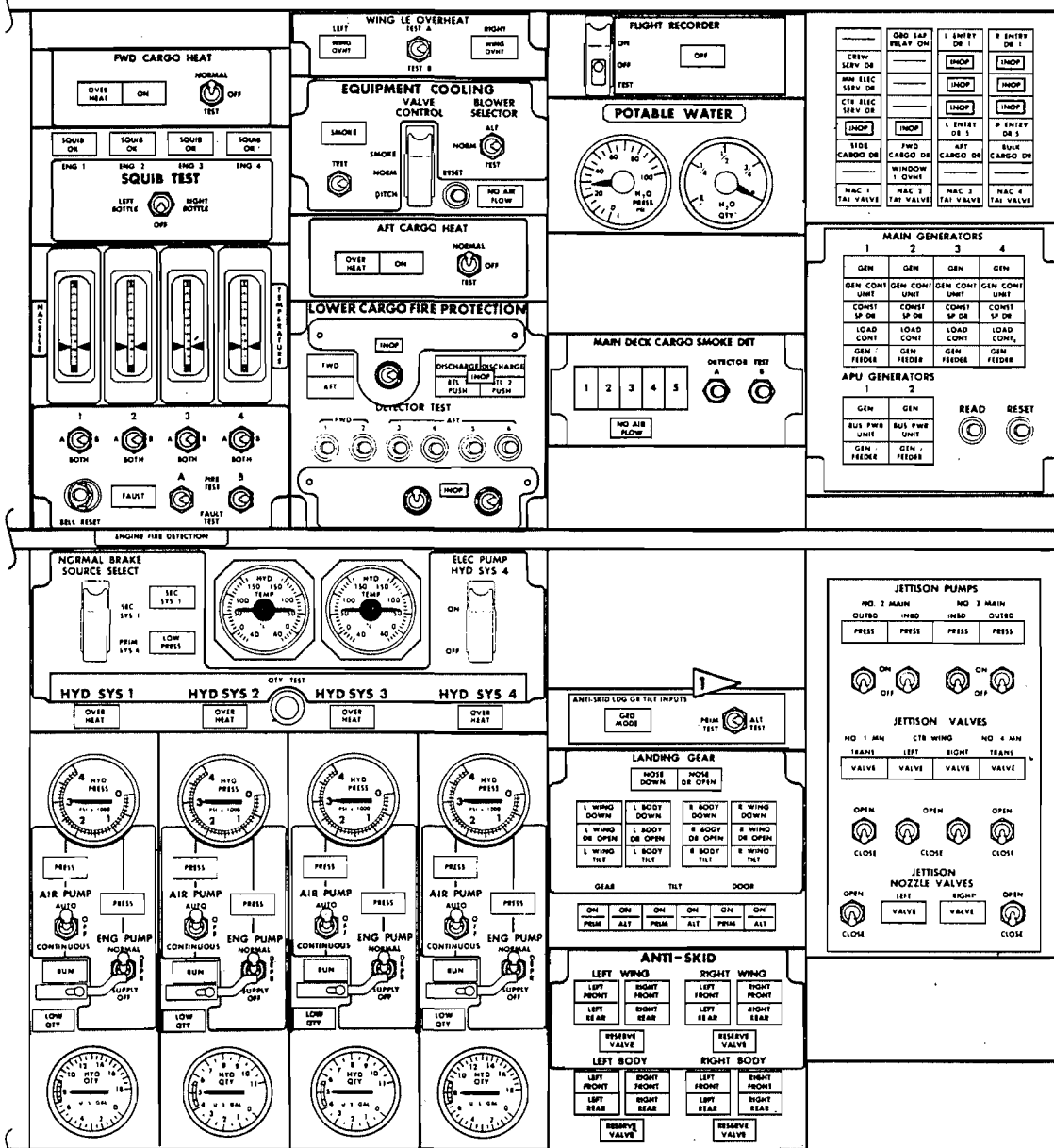
FLYING TIGERS

747 Operating Manual

6/15/76

7/1/76

SECOND OFFICER'S INSTRUMENT PANEL-UPPER PANELS-RIGHT



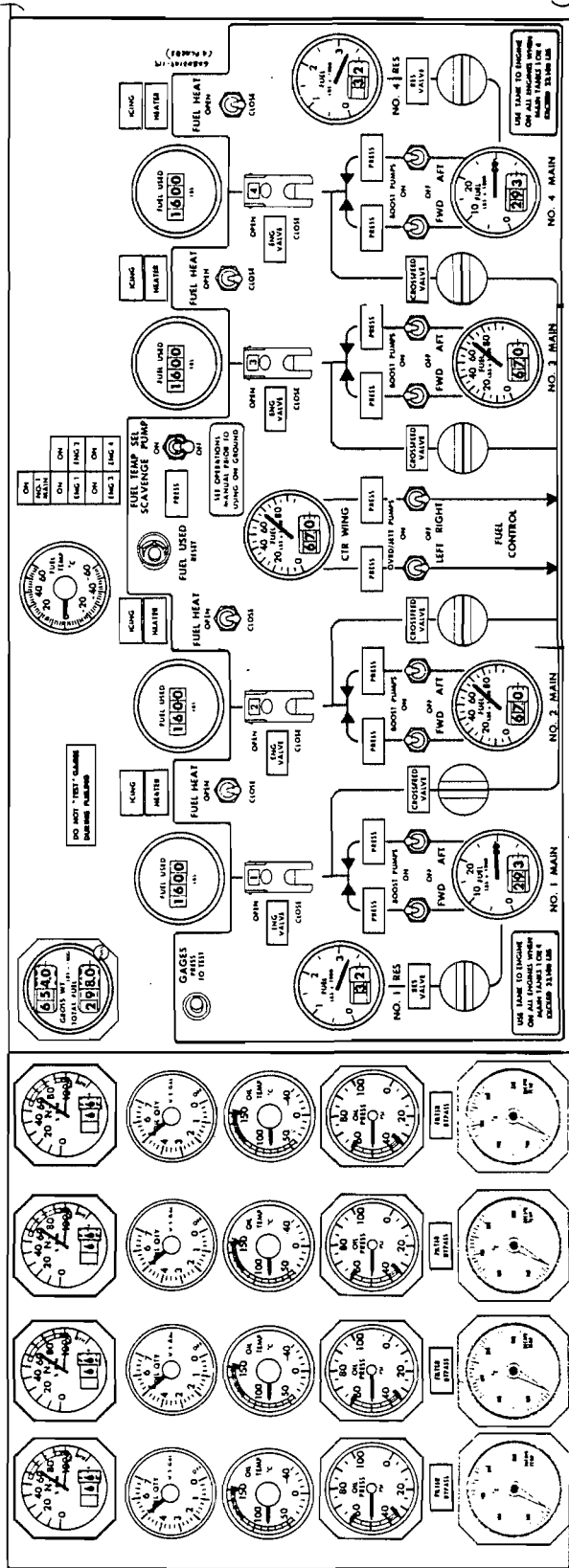
On 801 & 802

FLYING TIGERS

747 Operating Manual

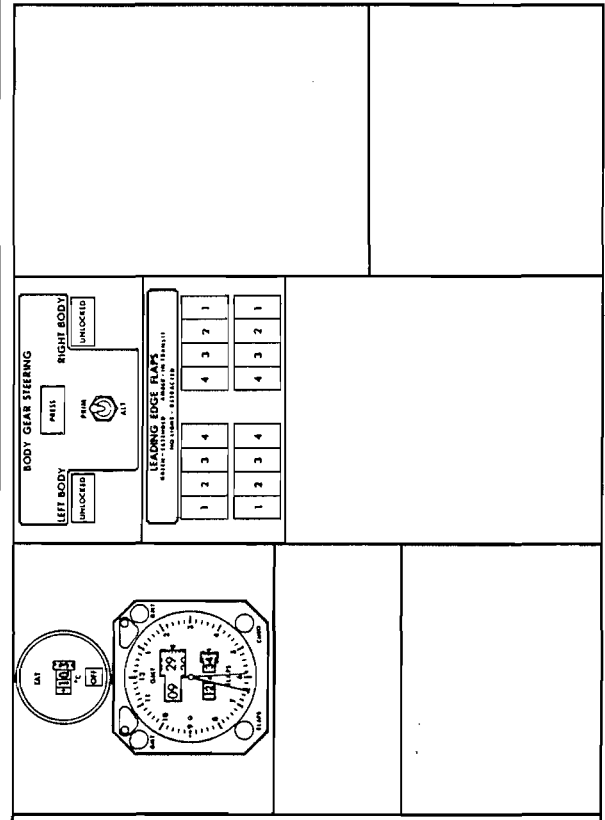
6/15/76
9/1/78

SECOND OFFICER'S LOWER INSTRUMENT PANELS



**CENTER
P4**

**RIGHT
P4**



**LEFT
P4**

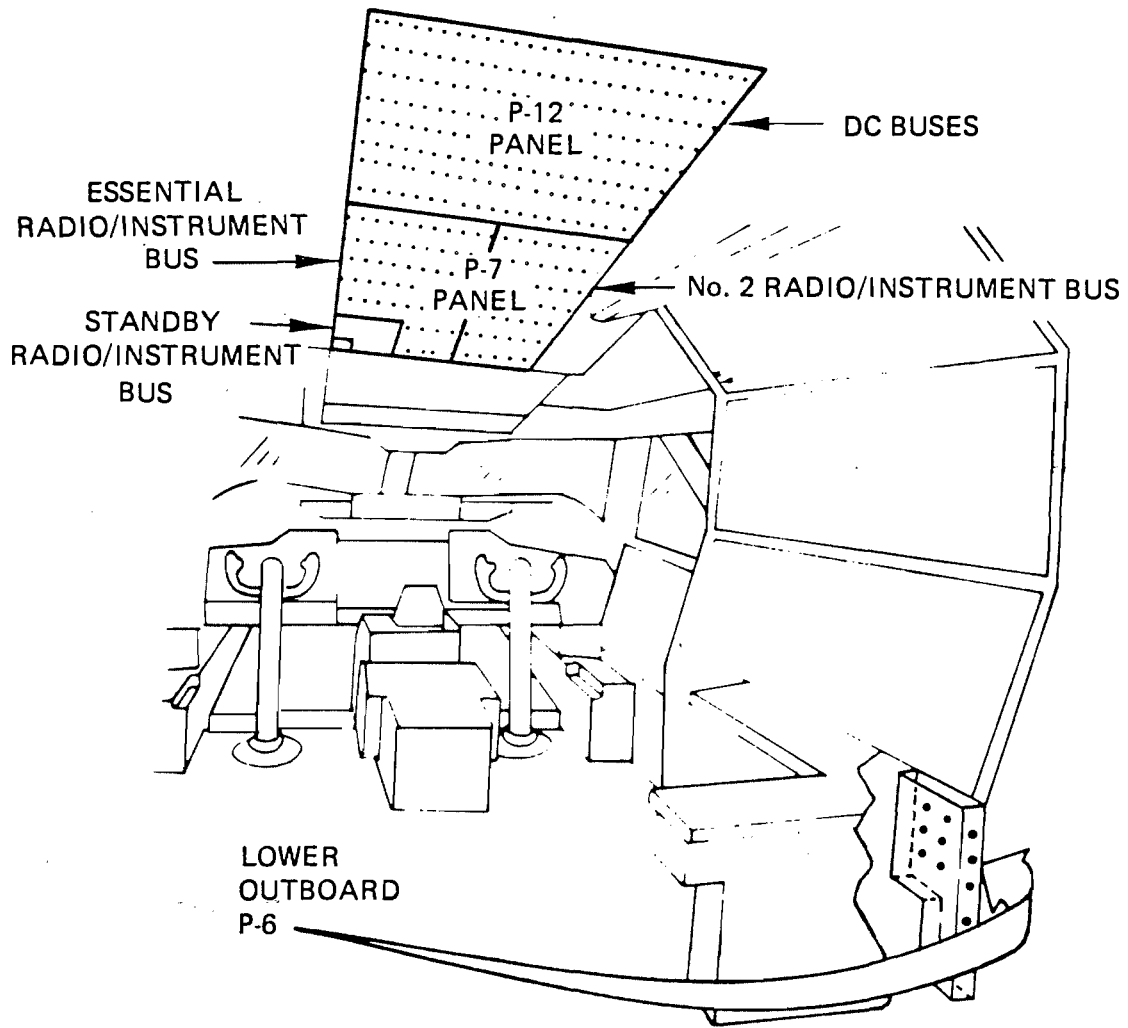


FLYING TIGERS

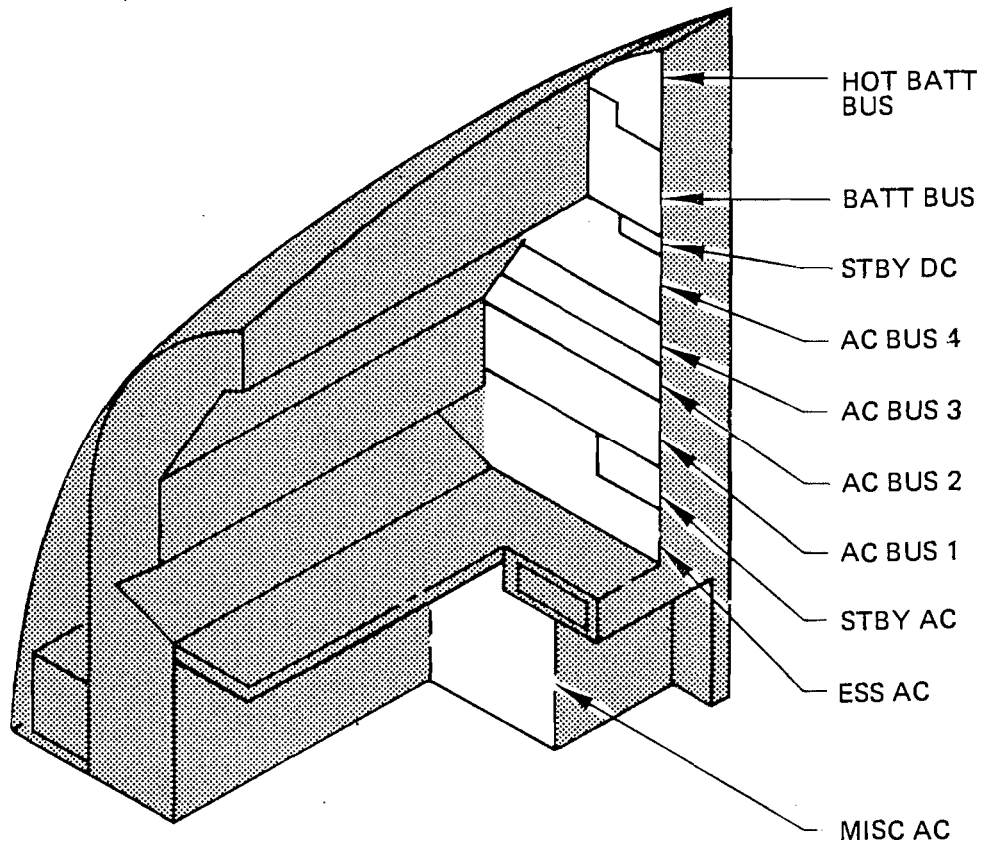
747 Operating Manual

6/15/76

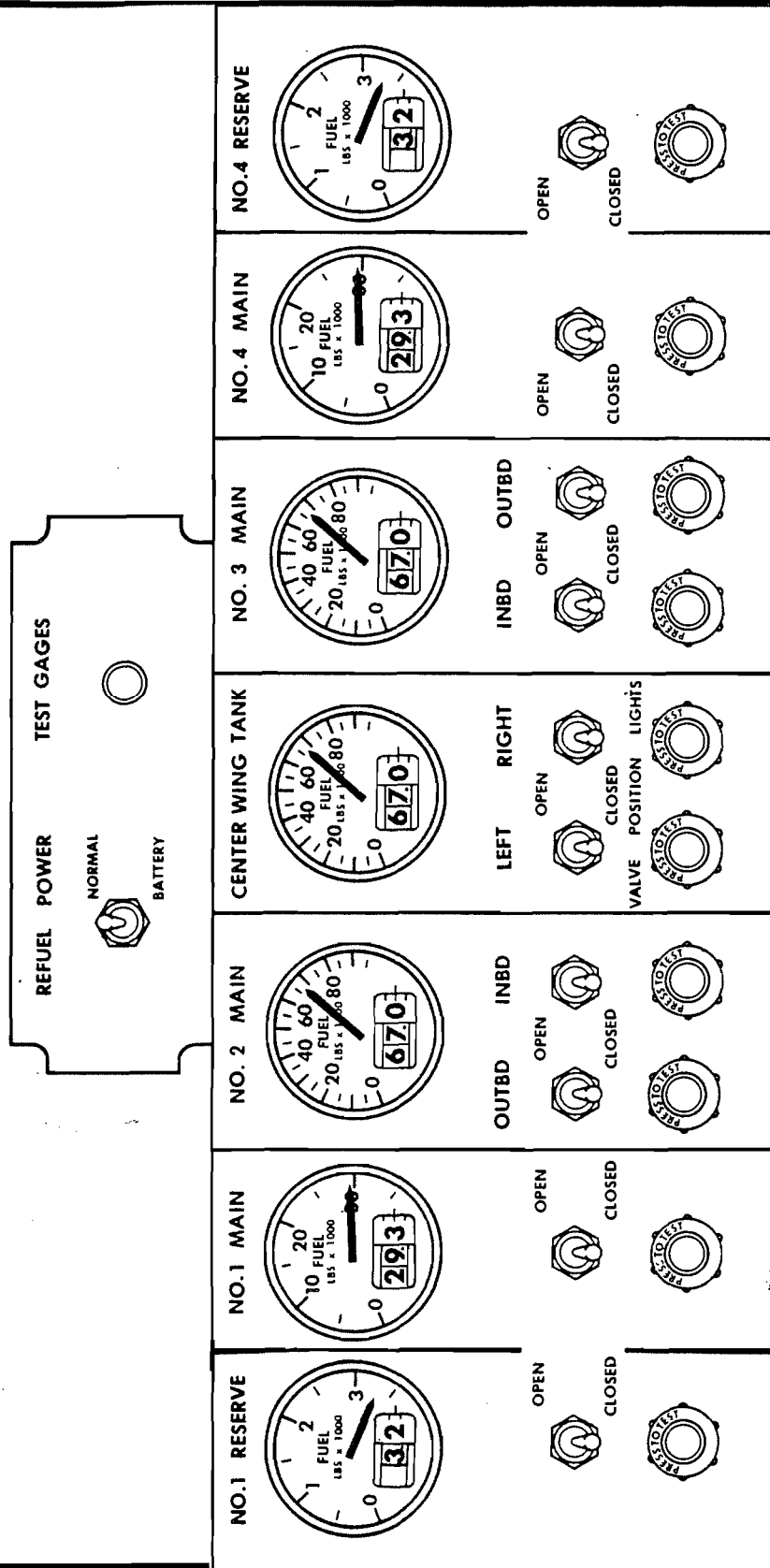
OVERHEAD CIRCUIT BREAKER PANELS (P-7 & P-12)
AND LOWER OUTBOARD CIRCUIT BREAKER PANEL (P-6)



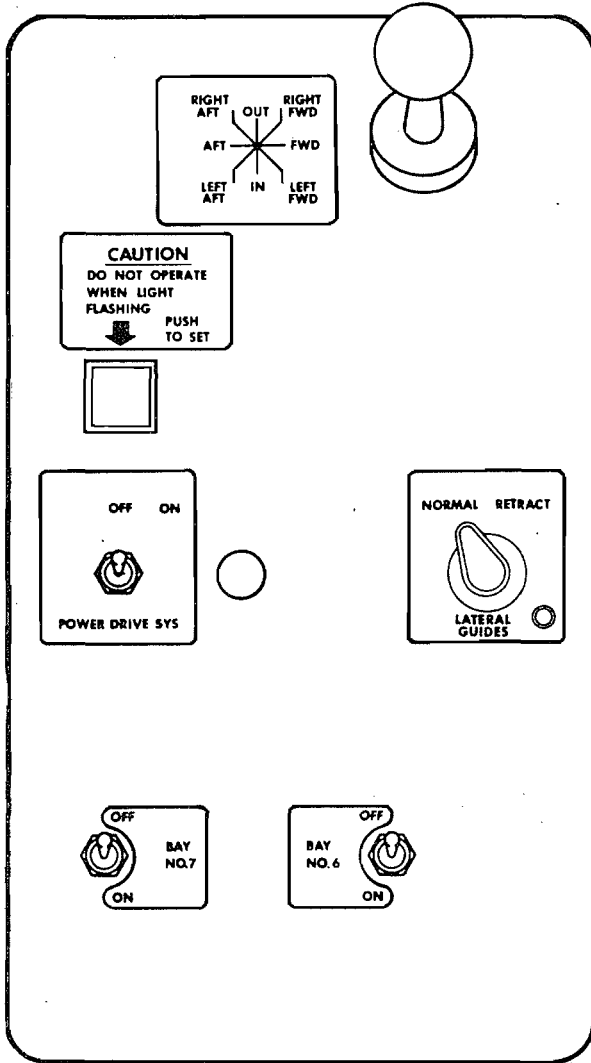
MAIN CIRCUIT BREAKER PANEL (P-6)



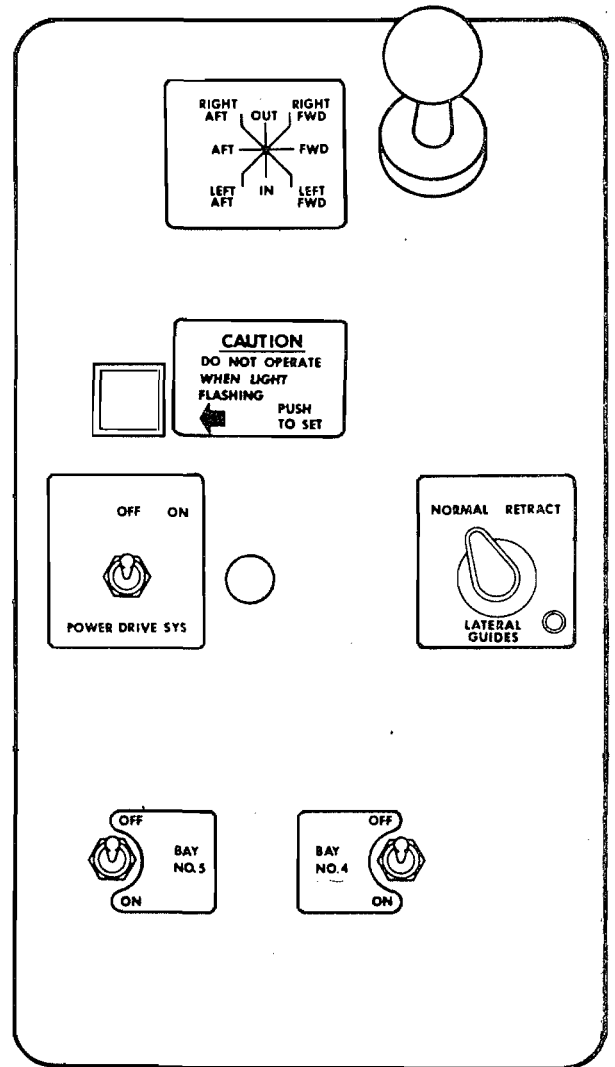
PRESSURE FUELING PANEL



LOWER LOBE CONTROL PANELS



AFT CARGO BAY



FWD CARGO BAY



FLYING TIGERS

747 Operating Manual

741/002/1

7/88

ILB