

PROTO

X-RAY DIFFRACTIONS SYSTEMS & SERVICES

XRT 60



X-ray Tubes with Superior Power and Versatility

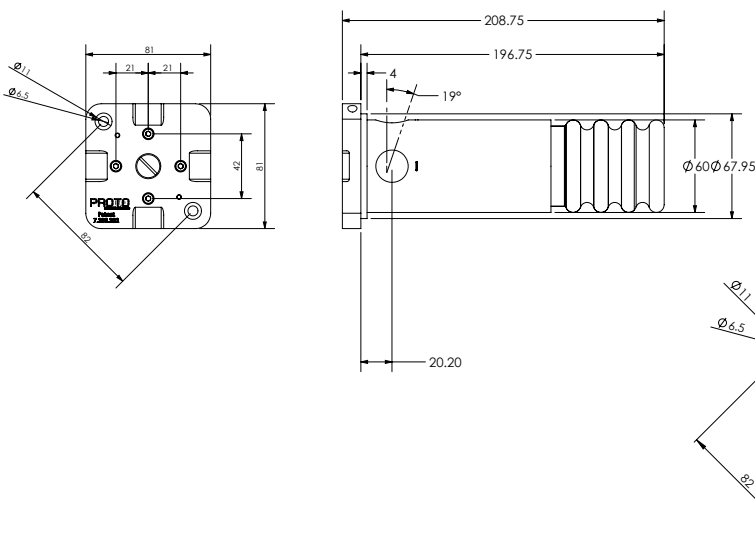
The XRT 60 is Proto's largest and most powerful x-ray tube offering. Thanks to its versatility, the XRT 60 is also a great replacement tube for most x-ray diffraction systems on the market.

Designed with high-quality ceramic and metal materials, the XRT 60 boasts incredible stability and a long operational life. The XRT 60 is made in house by Proto and comes in multiple variants with different window configurations, anodes, and lengths. With up to 60 kV and 3000 Watts of power (anode dependent), the XRT 60 x-ray tube can handle even the most advanced x-ray diffraction experiments.

The XRT 60 is available in two lengths, standard and compact, for maximum compatibility with various x-ray tube housings.

| SPECIFICATIONS | |
|-------------------------------|---|
| X-ray Tube Construction | Ceramic / metal body |
| Additional Features | Patented easy-clean water filter |
| Power Rating | 3000 W max (target dependent) |
| Power | Maximum kV: 60 Maximum mA: 55 |
| Polarity | Negative (grounded anode) |
| Duty Cycle | Continuous |
| Cooling | Water, 3.5 L/min |
| Maximum Operating Temperature | 60°C |
| X-ray Exit Window | 1, 2, or 4 window options Beryllium, 0.125 mm thick |
| Focus | Fine (0.4 x 8 mm), long-fine (0.4 x 12 mm), normal (1.0 x 10 mm), and broad (2.0 x 12 mm) |
| Target Angle | 0° |
| Overall X-ray Tube Dimensions | Standard: 60 mm diameter, 209 mm length Compact: 60 mm diameter, 190 mm length |
| Available Anodes | Ti, V, Cr, Mn, Fe, Co, Cu, Mo, Ag, W |

STANDARD



COMPACT

