



Gold Series High Bay Rectangular 2ft 80w & 110w

DESCRIPTION:

Touch-Plate's High Bay Rectangular are designed to offer better security, more lumens, and higher cost savings. Our High Bay Rectangular's can offer energy savings of 70% or greater over traditional metal halide or high pressure sodium lighting. Our LEDs are optimal for new construction and retrofit installations.

PRODUCT FEATURES:

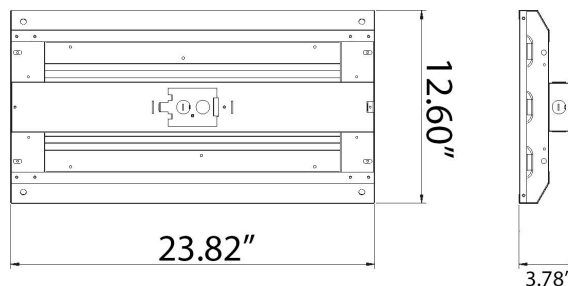
- Steel Body Frame
- Flicker Free
- Isolated Driver
- Multiple Mounting Options
- Lifetime of 50,000 hrs or greater
- UL Listed (E493410)
- DLC Listed
 - THR2Z-EN080-D40CW
 - THR2Z-EN110-D40CW
- 5 Year Limited Warranty

SPECIFICATIONS:

- Wattage: 80w and 110w
- Lumens: 10,400 and 14,300 (approx > 130lm/w)
- Equivalence: 500w-600w HID/HPS/MH
- IP Rating: IP20
- LED Chips: Jufei
- PF: >0.90
- White

PHYSICAL PARAMETERS:

- Dimensions
 - Length: 23.82"
 - Depth: 3.78"
 - Width: 12.60"
- Weight
 - 10.37 lbs





Gold Series High Bay Rectangular

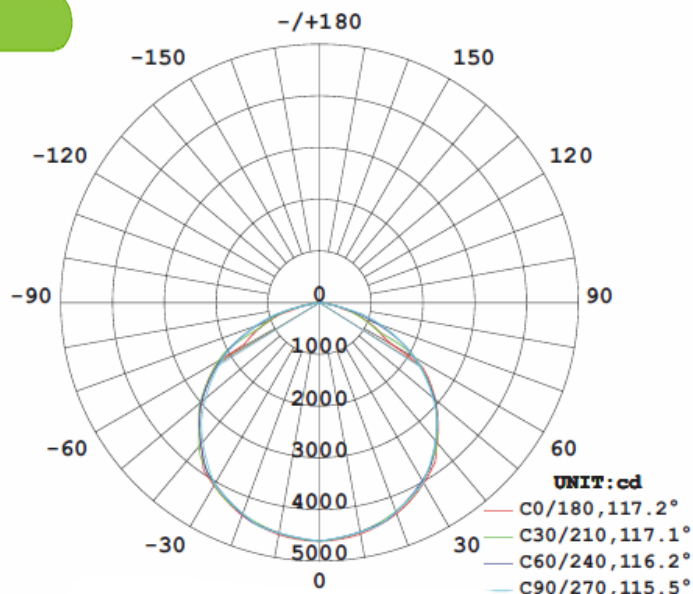
ORDERING GUIDE

| LED Type XXX - | Lumens - Wattage XXX - XXX - | CCT XX | Voltage X |
|---|---|--|---|
| <ul style="list-style-type: none"> HR2 High Bay Rectangular 2ft | <ul style="list-style-type: none"> 104 - 080 10,400lm-80w 143 - 110 14,300lm - 110w | <ul style="list-style-type: none"> 40 4000k 50 5000k | <ul style="list-style-type: none"> U 120-277v |

ACCESSORIES

- Wire Guard
- Emergency Backup
- Occupancy Sensor
- Zigbee Relay
- Zigbee Dimmer
- Zigbee Controller
- Stainless Steel Cable: 2ft/.5m, 3ft/1m, 7ft/2m, 10ft/3m, or 20ft/6m
- Lock Twist Plug: 3ft/1m or 10ft/3m
- No Plug Extension: 3ft/1m or 10ft/3m
- 3 Prong Plug: 7ft/2m
- S Hook Clip: Medium or Large
- Stainless Steel Magnetic 'O' Hook

PHOTOMETRIC



Gold Series High Bay Rectangular

INSTALLATION INFORMATION (WIRING)

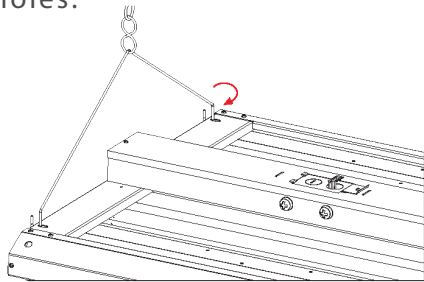
This product must be installed in accordance with National Electrical Code(NEC) and/or applicable local codes, by a qualified electrician.

DANGER - RISK OF SHOCK - DISCONNECT POWER BEFORE INSTALLATION

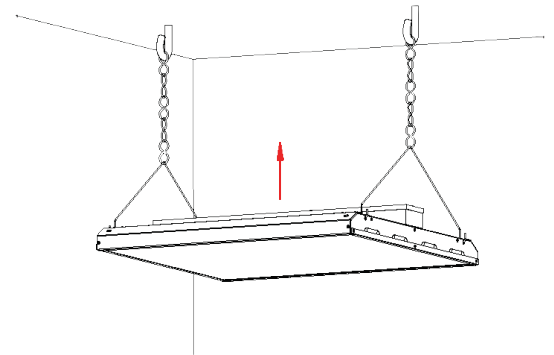
- Rectangular High Bays can be ordered with a specified twist lock plug or without a plug.
- Plug in the Rectangular High Bay or make the necessary 'HOT' (Black or Brown), 'Neutral' (White or Blue), and 'Ground' (Green) connections in an approved junction box.

INSTALLATION INFORMATION

1. Insert the hook into the slotted holes.

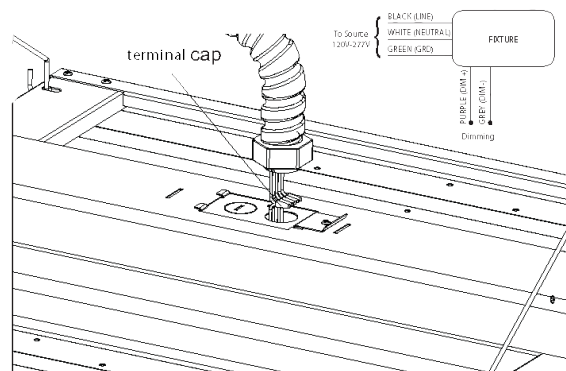


2. Hook both of the chains onto the ceiling anchors.



3. Turn off the power and make the wiring connections with a terminal cap.

- Plug in the High Bay OR make the necessary 'HOT' (Black or Brown), 'NEUTRAL' (White or Blue), and 'GROUND' (Green) connections into an approved junction box.



4. Insert the terminal cap and wires into the driver, then install the wire terminal joint into the wire entry.

