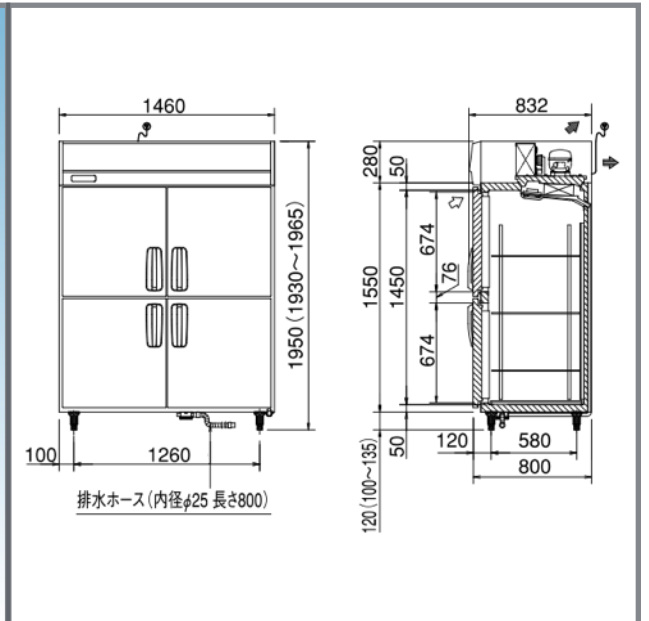




Panasonic

BUSINESS

Refrigerator and Freezer STAINLESS STEEL UPRIGHT



Model	Temperature	Dimension	Volume	Weight	Refrigerant	Power
SRR-K1561S (CHILLER)	-6°C ~ +12°C	Ext: W1460xD650xH1950 Int: W1360xD550xH1450	1042 L	131kg	R134a	Cooling: 100V / 222/222W (50/60Hz) Defrosting: 100V / 446/446W (50/60Hz)
SRF-K1563S (FREEZER)	-25°C ~ -15°C	Ext: W1460xD650xH1950 Int: W1360xD550xH1450	1042 L	141kg	R404A	Cooling: 200V / 393/393W (50/60Hz) Defrosting: 200V / 567/567W (50/60Hz)
SRR-K1581S (CHILLER)	-6°C ~ +12°C	Ext: W1460xD800xH1950 Int: W1360xD700xH1450	1343 L	143kg	R134a	Cooling: 100V / 222/222W (50/60Hz) Defrosting: 100V / 446/446W (50/60Hz)
SRF-K1583S (FREEZER)	-25°C ~ -15°C	Ext: W1460xD800xH1950 Int: W1360xD700xH1450	1343 L	148kg	R404A	Cooling: 200V / 393/393W (50/60Hz) Defrosting: 200V / 567/567W (50/60Hz)

High energy saving performance

- Inverter compressor
- Automatic frame heater duty optimization
- Automatic condensing fan speed control

ECONAVI

