

## **BELTOR 10t QDS Fork Tynes**

Beltor QDS Fork Tynes are solidly designed to ensure less down time in the hard working under ground environment

### **Features :**

- Vision cut outs
- Robust lock mechanism
- Guide slot for ease of tyne movement
- Design R.A and Engineers Certificates

### **Specification :**

- Size – 2035mm Wide x 1355mm High x 2115 Long
- Mass – 1.74 Tonne
- Payload – 10.0 Tonne
- Compliance Plate and Plant No. attached.

All Beltor products are **FULLY WELDED**, unless noted otherwise. A fully welded product means no water traps between members and plates that may encourage premature rust and reduce life of implement.



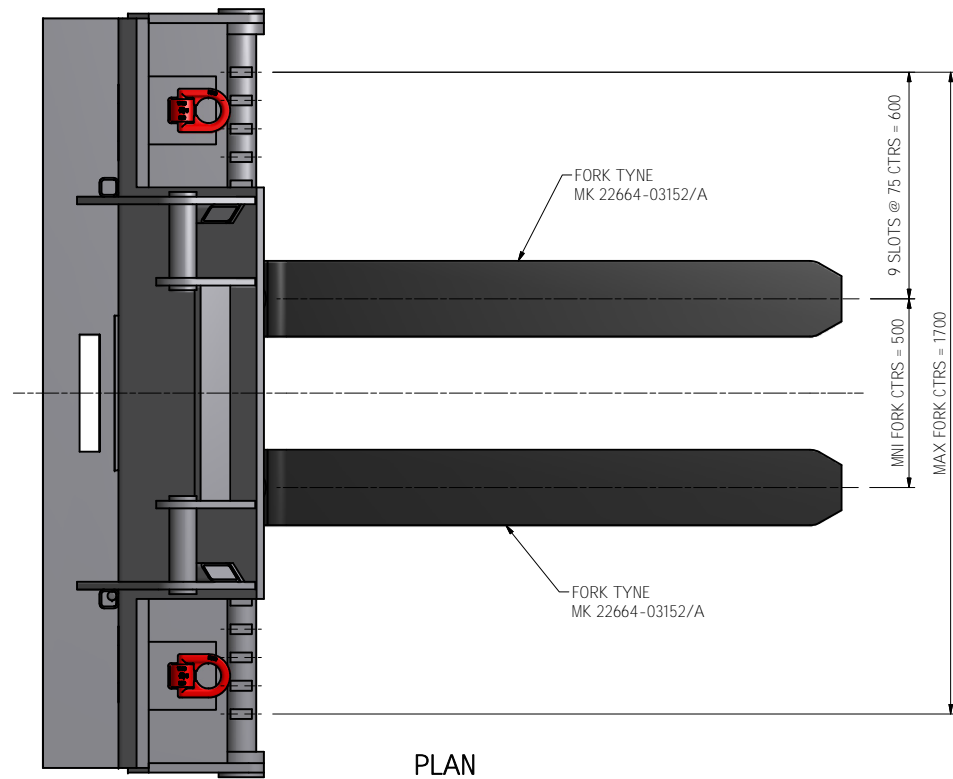
***A Heavy Duty Fork Attachment designed for mine conditions***

| ITEM | QTY | DESCRIPTION                                 |
|------|-----|---|
| a    | 2   | M20x150 HEX HEAD BOLT GALV. c/w M20 HEX NUT |

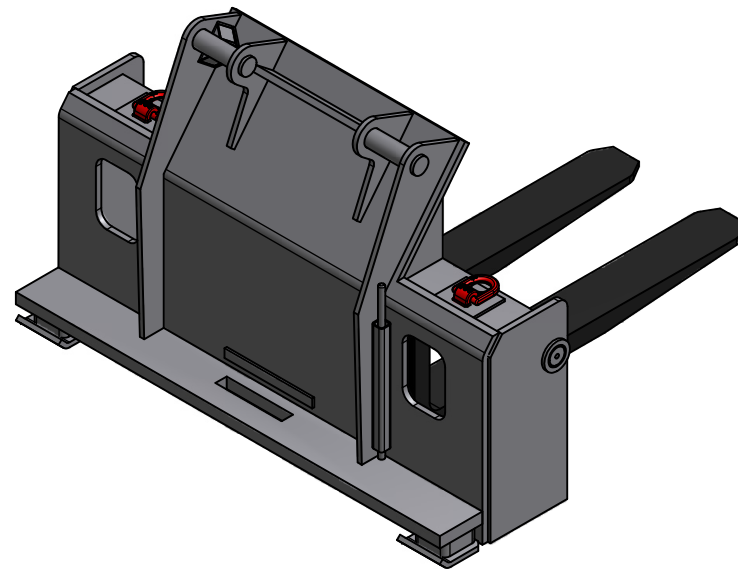
\* IF IN DOUBT ASK \*

| MK NUMBER        | DESCRIPTION              |
|------------------|--------------------------|
| MK 22664-03150/A | QDS FRAME                |
| MK 22664-03151/A | SHAFT                    |
| MK 22664-03151/B | FORK TYNE ADJUSTING BAR  |
| MK 22664-03152/A | FORK TYNE                |
| MK 22664-03152/B | FORK TYNE LOCKING SHAFT  |
| MK 22664-03152/C | FORK TYNE LOCKING HANDLE |
| MK 22664-03152/D | FORK TYNE LOCKING PIN    |

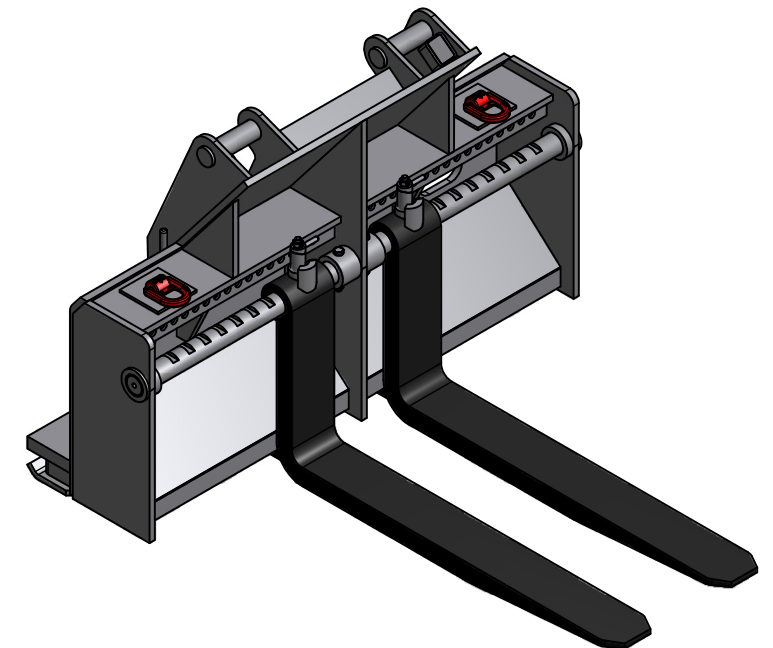
APPROX. TOTAL MASS = 1740.0 kg  
 APPROX. O/A LENGTH = 2115 mm  
 APPROX. O/A WIDTH = 2035 mm  
 APPROX. O/A HEIGHT = 1355 mm



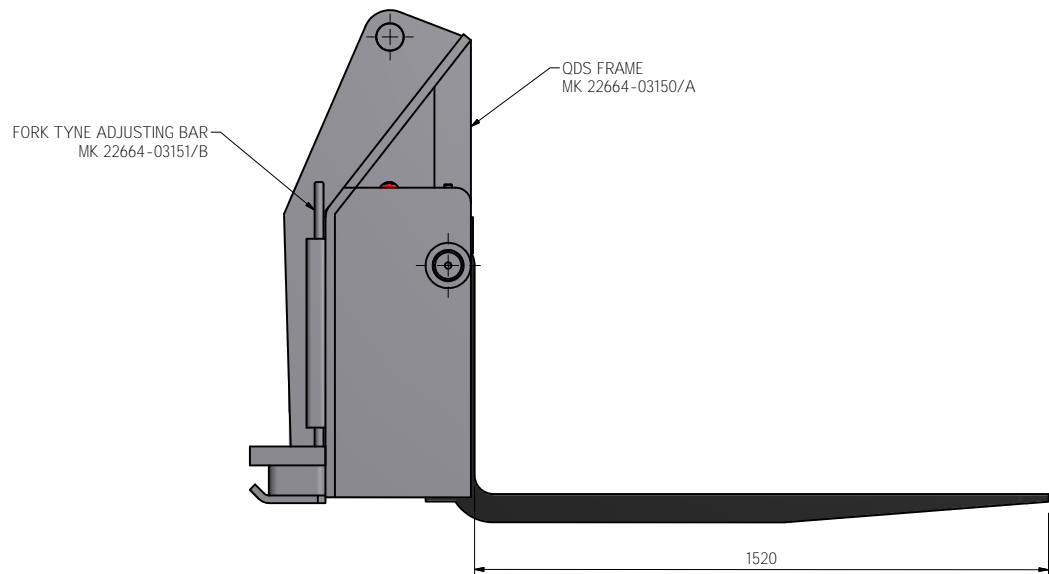
PLAN



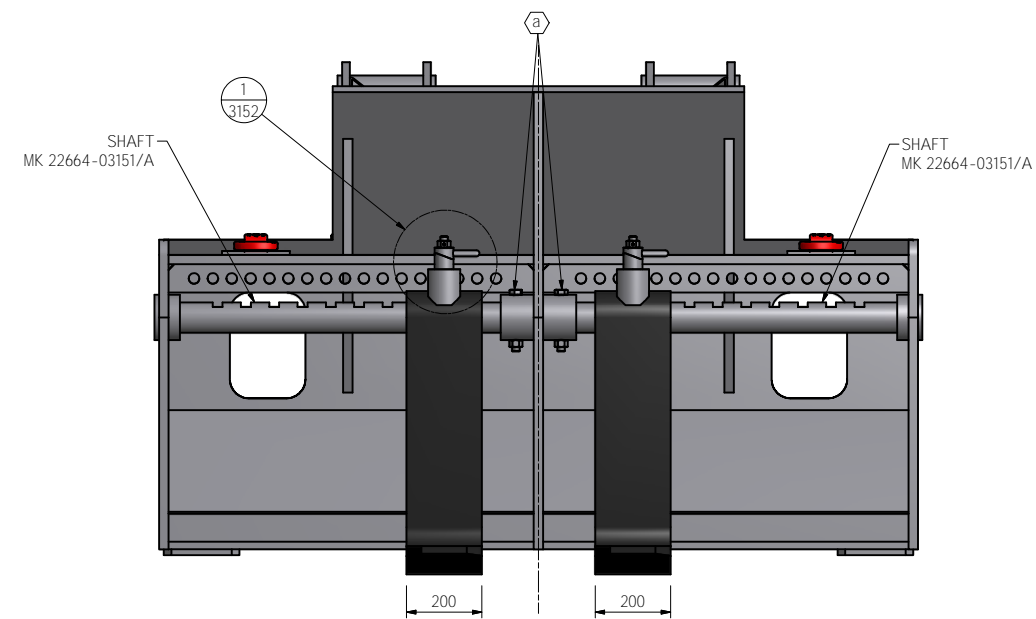
ISOMETRIC  
SCALE 1:12.5



ISOMETRIC  
SCALE 1:12.5



QDS FORK LIFT TYPE 2  
SCALE 1:10



R/H ELEVATION

FOR APPROVAL

\* IF IN DOUBT ASK \*

| REV | DATE     | DESCRIPTION                           | DRAWN    | REF DRAWING | REFERENCE DRAWING TITLE                           |
|-----|----------|---------------------------------------|----------|-------------|---|
| F   | 13/10/11 | REVISED - MODEL UPDATED               | M.BYRNES |             |   |
| E   | 22/3/11  | REVISED - O/A BLOCK & TYNE SIZE ADDED | M.BYRNES |             |   |
| D   | 20/5/09  | REVISED - FORK TYNE CHANGED           | M.BYRNES |             |   |
| C   | 11/2/09  | REVISED - FORK TYNE CHANGED           | M.BYRNES | 22664-03152 | QDS FORK LIFT TYPE 2 FORK TYNE DETAILS            |
| B   | 17/10/08 | ISSUED FOR APPROVAL                   | M.BYRNES | 22664-03151 | QDS FORK LIFT TYPE 2 COMPONENT DETAILS            |
| A   | 14/10/08 | FIRST DRAWN                           | M.BYRNES | 22664-03150 | QDS FORK LIFT TYPE 2 QDS FRAME DETAILS SHT 1 OF 2 |

DO NOT SCALE  
UNLESS OTHERWISE NOTED

ALL  
DIMENSIONS IN MILLIMETRES

McKaj Job No:  
22644

**McKaj Services** Pty Ltd  
 Project Management - Engineering - Drafting  
 19 Herbert Street, BELMONT. NSW. 2280  
 PO Box 84, Warners Bay, NSW. 2282  
 Ph: (02) 49454111 Fx: (02) 49451070  
 Email: office@mckaj.com.au Web: www.mckaj.com.au

This information contained in this document is the copyright of the nominated Client or Supplier. It is intended for the use of the individual(s) or company(s) named. Copying of this information or distribution to third parties is strictly prohibited without the written consent of the Client or Supplier.

PO BOX 4187 Edgeworth NSW Australia 2285  
 Office & Works: The Broodery Killisworth  
 Ph: 02 4953 2444 02 4953 2445 Fax: 02 4953 2140  
 Email: admin@beltorengineering.com.au

| CLIENT               |  | DRAWING No.                              |  | REV         | SHEET    |
|----------------------|--|--|--|-------------|----------|
| BELTOR ENGINEERING   |  | 22664-03000                              |  | F           | A1       |
| PROJECT              |  | DRAWING TITLE                            |  | FIRST DRAWN | SCALE    |
| QDS FORK LIFT TYPE 2 |  | QDS FORK LIFT TYPE 2 GENERAL ARRANGEMENT |  | 14/10/08    | 1:10 UNO |