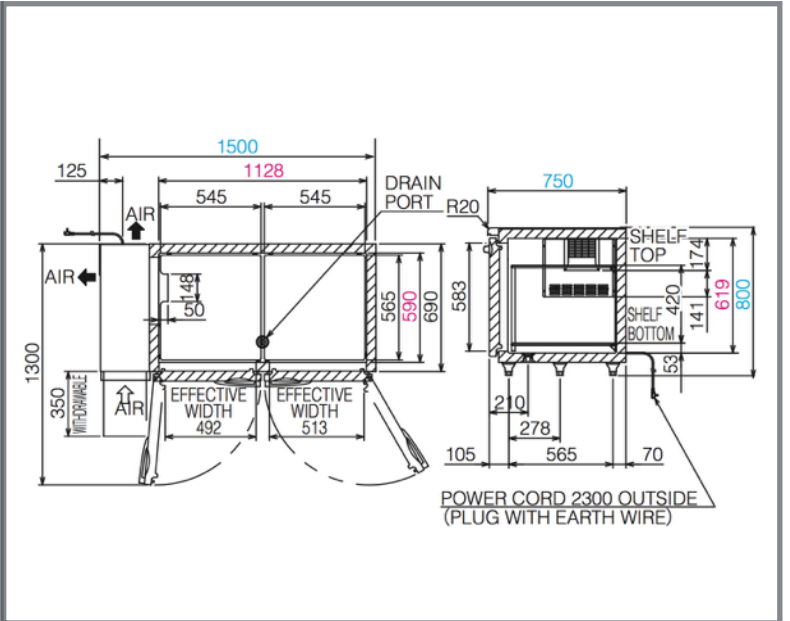


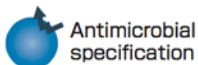
STAINLESS STEEL UNDER COUNTER



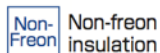
| MODEL | Volume (L) | Temperature | Dimension (mm) | Refrigrant | Power | Accessories |
|-------------------------------|-------------|-------------|--|------------|---|-------------|
| DKR-156AH (CHILLER) | 337 78kg | -6 ~ +12°C | Ext: W1500xD600xH800 Int: W1128xD440xH619 | R134a | Cooling: 220V / 198W (50/60Hz) | 4 Shelves |
| DKF-156AH (FREEZER) | 337 82kg | -25 ~ -7°C | Ext: W1500xD600xH800 Int: W1128xD440xH619 | R404A | Cooling: 220V / 384W (50/60Hz) | 4 Shelves |
| DKR-157AH (CHILLER) | 444 86kg | -6 ~ +12°C | Ext: W1500xD750xH800 Int: W1128xD590xH619 | R134a | Cooling: 220V / 198W (50/60Hz) | 4 Shelves |
| DKF-157AH (FREEZER) | 444 90kg | -25 ~ -7°C | Ext: W1500xD750xH800 Int: W1128xD590xH619 | R404A | Cooling: 220V / 384W (50/60Hz) | 4 Shelves |



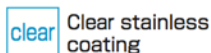
HFC Refrigerant



Antimicrobial specification



Non-freon insulation



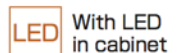
Clear stainless coating



Interior stainless



Microcomputer control and digital display



With LED in cabinet