

Silver Series 180° Area Light 60w



DESCRIPTION:

Touch-Plate's 180° Area Lights are designed to offer better security, more lumens, and higher cost savings. Our 180° Area Lights can offer energy savings of 70% or greater over traditional metal halide or high pressure sodium lighting. Our LEDs are optimal for retrofitting canopy lights, wall packs and area lights.

PRODUCT FEATURES:

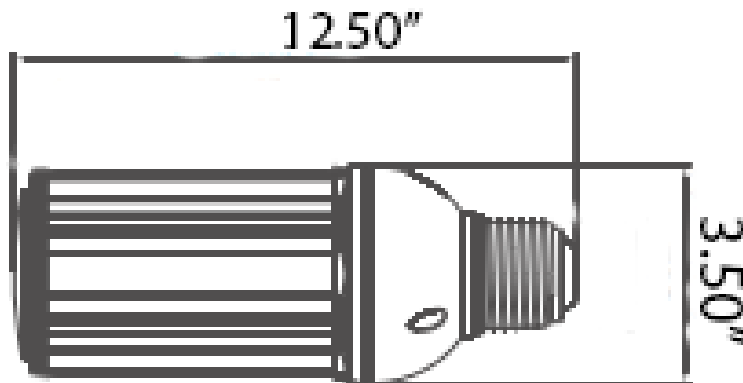
- Cooling heatsink fins
- >6kv surge protection
- Flame retardant material
- Lifetime of 50,000 hrs or greater
- UL Listed (E468797)
- DLC Listed
 - BWHC- 60w (E39 Only)
- 5 Year Limited Warranty

SPECIFICATIONS:

- Wattage: 60w
- Lumens: 7,500lm (approx >125lm/w)
- Lighting Equivalent: 120w-140w (MHL/HPS)
- IP Rating: IP64
- LED Chips: Samsung 5630
- PF: >0.9
- Beam Angle: 180°

PHYSICAL PARAMETERS:

- Dimensions
 - Diameter: 3.50"
 - Length: 12.50"
- Weight
 - 2.45 lbs





Silver Series 180° Area Light

ORDERING GUIDE

LED Type XXX -	Lumens - Wattage XXJ - JJJ -	CCT XX	Voltage X -	Base X
<ul style="list-style-type: none"> 18A 180° Area Light 	<ul style="list-style-type: none"> 075-060 7,500lm - 60w 	<ul style="list-style-type: none"> 35 3500k 40 4000k 45 4500k 50 5000k 	<ul style="list-style-type: none"> U 120-277v 	<ul style="list-style-type: none"> 2 E26 3 E39

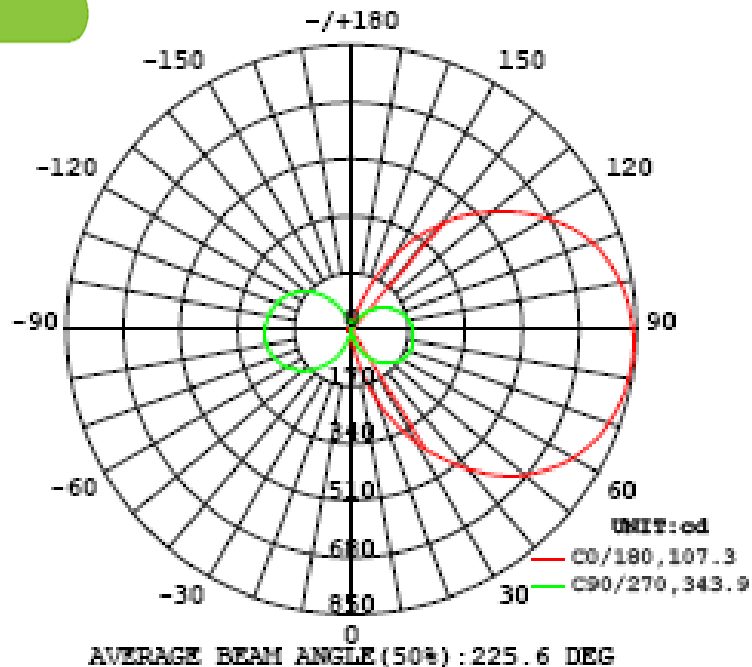
ADDITIONAL ORDERING OPTIONS

(specified at time of order)

Lens Options

- Clear Glass (Standard)
- Milky PC

PHOTOMETRIC



Silver Series 180° Area Light

INSTALLATION INFORMATION (WIRING)

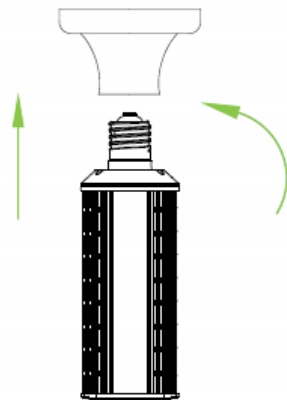
This product must be installed in accordance with National Electrical Code(NEC) and/or applicable local codes, by a qualified electrician.

DANGER - RISK OF SHOCK - DISCONNECT POWER BEFORE INSTALLATION

- Bypass the ballast by making the necessary 'HOT' (Black or Brown) , 'Neutral' (White or Blue), and 'Ground' (Green) connections in an approved junction box.
- Turn the bulb into the light socket.
- Once tightened, adjust the position of the bulb so the light is shining out of the housing.

INSTALLATION INFORMATION

Lamp Installation



Support Stand Installation

