

**touch-plate®**  
LED LIGHTING & CONTROLS  
Silver Lite Series  
Slimline Parking Light  
150w & 200w



#### DESCRIPTION:

Touch-Plate's Parking Lights were designed to offer better security, more lumens, and higher cost savings. Our Parking Lights can offer energy savings of 70% or greater over traditional metal halide or high pressure sodium lighting, our LEDs are optimal for retrofit installations or new construction installations.

#### PRODUCT FEATURES:

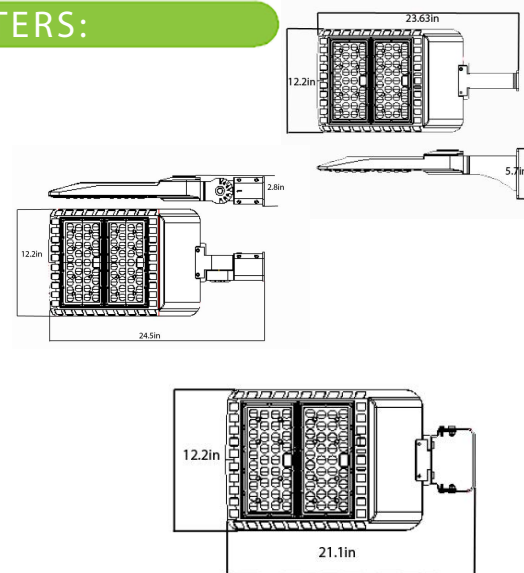
- Die - cast aluminum housing
- Eco-friendly, no mercury
- Multiple mounting options
- Surge Protection (200w only)
- Lifetime of 50,000 hrs or greater
- DLC Listed
  - 150w (SBL150HV)
  - 200w (SLB200HV)
- 5 Year Limited Warranty

#### SPECIFICATIONS:

- Wattage: 150w & 200w
- Lumens: 19,500 & 26,000 (approx > 130lm/w)
- Equivalence: 400w & 500w HID/HPS/MH
- CRI: >70
- IP Rating: IP65
- LED Chips: SMD 2835
- PF: >0.90

#### PHYSICAL PARAMETERS:

- Direct Dimensions
  - Length: 23.63"
  - Width: 12.2"
  - Depth: 5.7"
- Slip Fit Dimensions
  - Length: 24.5"
  - Width: 12.2"
  - Depth: 2.8"
- Trunnion Dimensions
  - Length: 21.1"
  - Width: 12.2"
- Weight
  - 10.36lbs (150w)
  - 11.46lbs (200w)





# Silver Lite Series Slimline Parking Light

## ORDERING GUIDE

LED Type XXX-	Lumens - Wattage XXX-XXX-	CCT XX	Voltage X-	Color X	Mounting Style X
<ul style="list-style-type: none"> <li><b>PSL</b> Parking Slim</li> </ul>	<ul style="list-style-type: none"> <li><b>195-150</b> 19,500 ^ _ Ž 150i</li> <li><b>260-200</b> 26,000lm - 200w</li> </ul>	<ul style="list-style-type: none"> <li><b>35</b> 3500k</li> <li><b>40</b> 4000k</li> <li><b>45</b> 4500k</li> <li><b>50</b> 5000k</li> <li><b>57</b> 5700k</li> </ul>	<ul style="list-style-type: none"> <li><b>U</b> 120-277v</li> <li><b>I</b> 200-480v</li> </ul>	<ul style="list-style-type: none"> <li><b>B</b> Black</li> <li><b>Z</b> Bronze</li> <li><b>G</b> Gray</li> <li><b>W</b> White</li> </ul>	<ul style="list-style-type: none"> <li><b>R</b> Direct Round</li> <li><b>S</b> Direct Square</li> <li><b>F</b> Slip-Fit</li> <li><b>T</b> Trunion</li> </ul>

## ADDITIONAL ORDERING OPTIONS

(specified at time of order)

### Beam Angle

- Type III (Standard)
- Type IV
- Type V

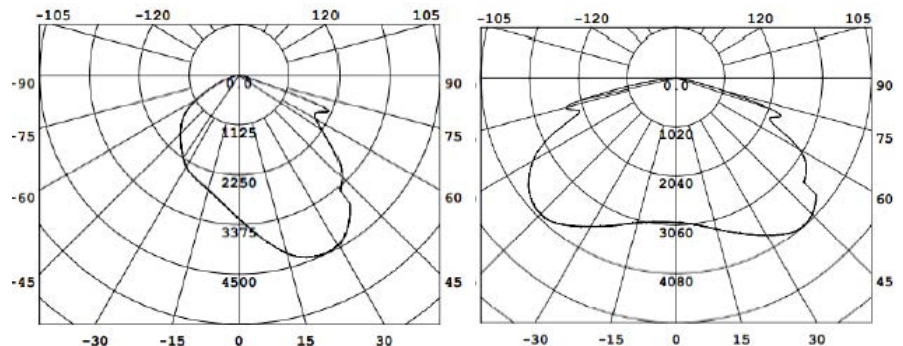
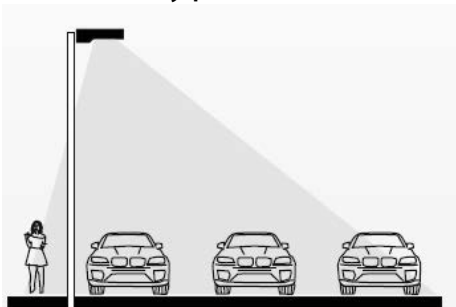
## ACCESSORIES

(specified at time of order)

- Photocell Control (120-277v)
- Photocell Control (480v)
- Short Cap
- Surge Protection

## PHOTOMETRICS

### Type III



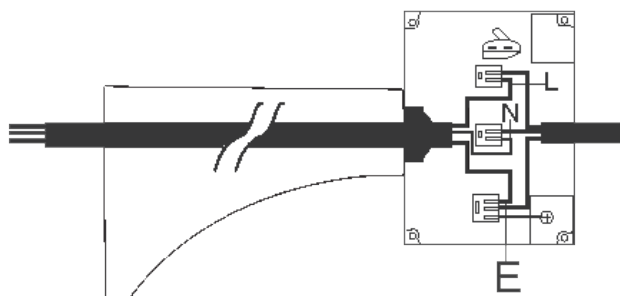
# Silver Lite Series Slimline Parking Light

## INSTALLATION INFORMATION (WIRING)

This product must be installed in accordance with National Electrical Code(NEC) and/or applicable local codes, by a qualified electrician.

### **DANGER - RISK OF SHOCK - DISCONNECT POWER BEFORE INSTALLATION**

- Make the wiring connections: Black/Brown (Line), White/Blue (Neutral), & Green/Yellow-Green (Ground).

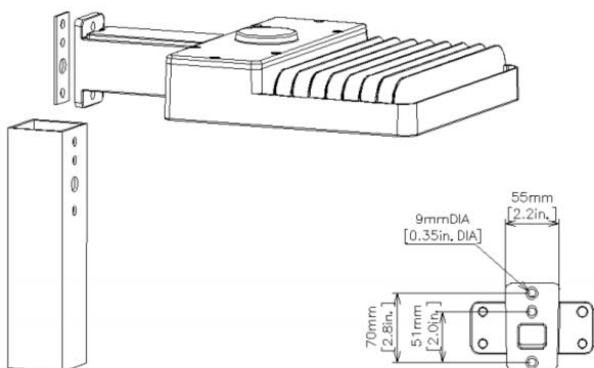


## INSTALLATION INFORMATION

This product must be installed in accordance with National Electrical Code(NEC) and/or applicable local codes, by a qualified electrician.

### Direct Mount

- Remove the side cover of the fixture.
- Affix the LED fixture with screws from the inside of the fixture to the pole.
- Replace the side cover of the fixture.



### Slip-Fit Mount

- Turn the slip fit to the correct angle.
- Slip the fixture onto the post and then secure the fixture with the 4 screws to the post.

