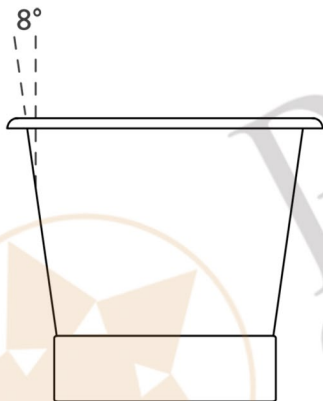
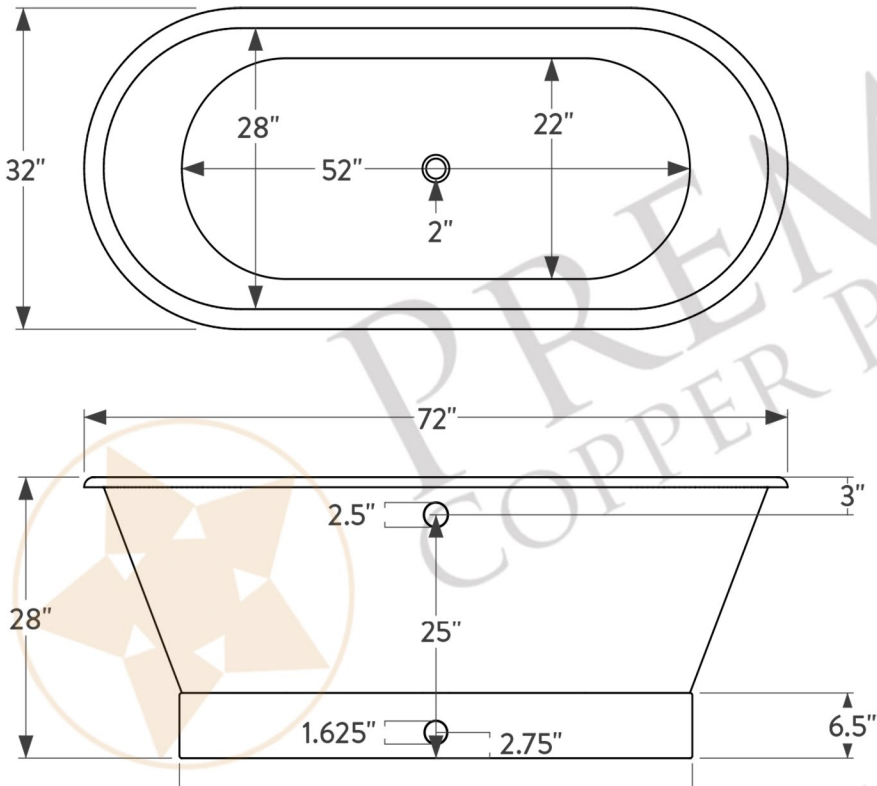




- \* Description: 72" Hammered Copper Modern Slipper Bathtub - Overflow Drain Compatible
- \* Outer Dimension: 72" x 32" x 28"
- \* Rim: 2" Rolled Rim
- \* Drain Opening: 2" Center
- \* Finish: Oil Rubbed Bronze
- \* Hole Sizes: 2.5" (Top) 1.625" (Bottom)
- \* Hole Locations: 25" from ground to center of hole (Top)  
2.75" from ground to center of hole (Bottom)

CODE/STANDARD COMPLIANCE  
\* IAPMO/UPC LISTED



THIS PRODUCT IS HAND CRAFTED, SMALL VARIANCES IN COLOR AND SIZE MAY OCCUR.  
DO NOT MAKE ANY INSTALLATION CUTS UNTIL YOU RECEIVE YOUR ITEM(S).

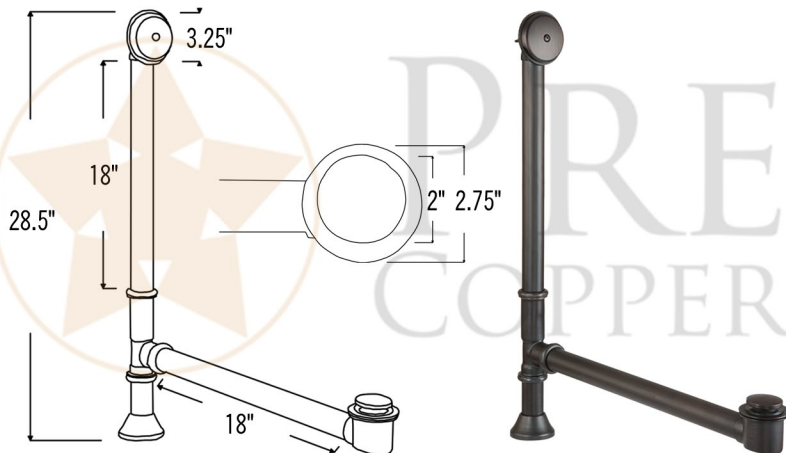
## PACKAGE INCLUDES THE FOLLOWING ACCESSORIES:

- \* Waste & Overflow Kit w/ Pop-Up Drain for Freestanding Bathtub / ORB Finish (Model# D-500ORB)
- \* Copper Sink Wax (Model# W900-WAX)
- \* Neutral Cure Copper Sink Installation Silicone (Model# C900-ORB)

\* ORB: Oil Rubbed Bronze

### DRAIN DETAILS (Model# D-500ORB)

- \* Description: Waste & Overflow Kit w/ Pop-Up Drain
- \* Design: Push Pop Top
- \* Upper Flange Dimension: 2.75"
- \* Material: Solid Brass
- \* Prop 65 Compliant



### WAX DETAILS (Model# W900-WAX)

- \* Description: Copper Sink Wax Protectant
- \* Made From Natural Bee's Wax
- \* No Wax Build Up Ever!
- \* Hard Water Protection
- \* Works Great on a Variety of Different Surfaces:

<i>Copper Sinks &amp; Tubs</i>	<i>Kitchen Cabinets</i>
<i>Marble</i>	<i>Faucets</i>
<i>Granite</i>	<i>Wrought Iron</i>
<i>Countertops</i>	<i>Glass</i>
<i>Door Knobs</i>	<i>Aluminum</i>
<i>Shower Glass</i>	<i>Chrome</i>
<i>Mirrors</i>	<i>Appliances</i>
<i>Fine Furniture</i>	<i>Leather</i>



### SILICONE DETAILS (Model# C900-ORB)

- \* Description: Neutral Cure Copper Sink Installation Silicone
- \* Color: Oil Rubbed Bronze
- \* Size: 4.7oz

