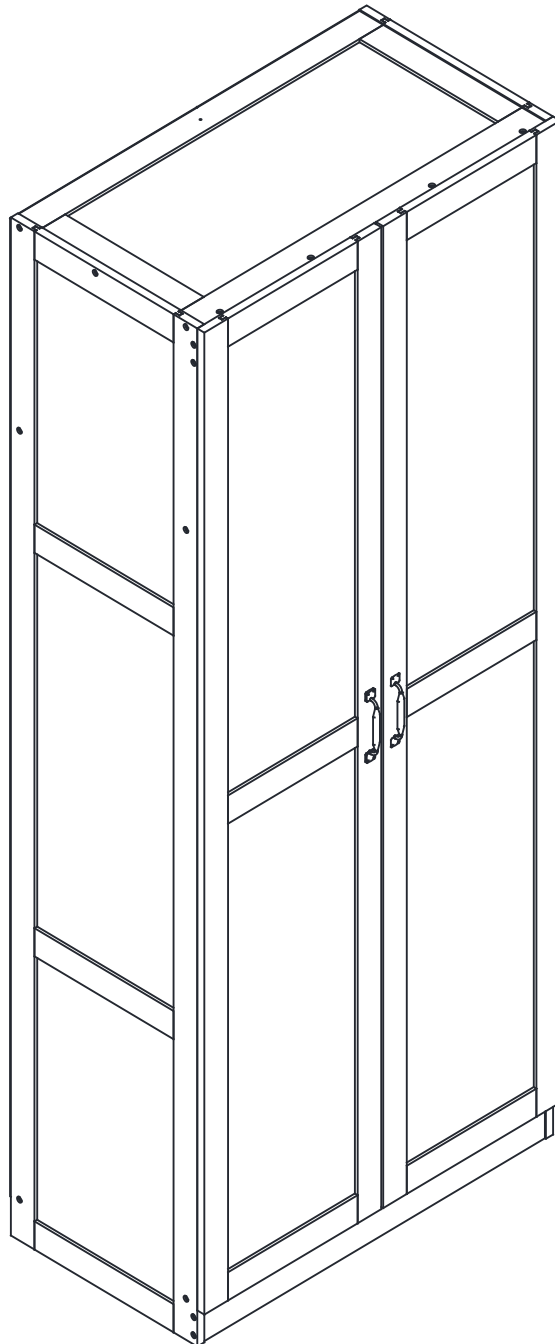




MANHATTAN  
COMFORT

---

# Assembly Guide 2GLF



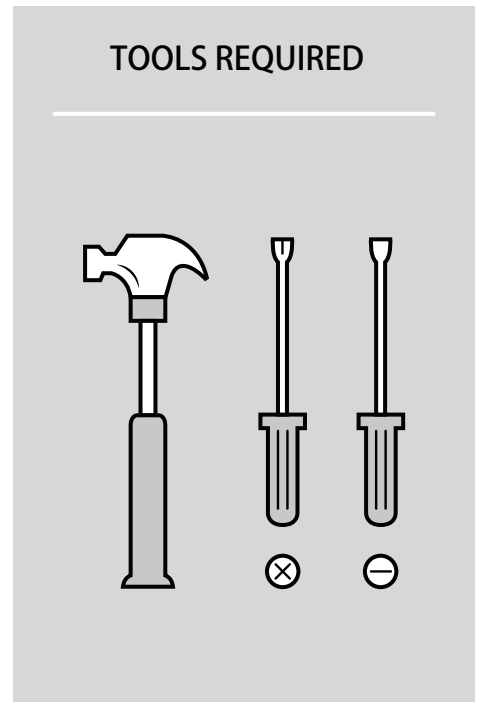
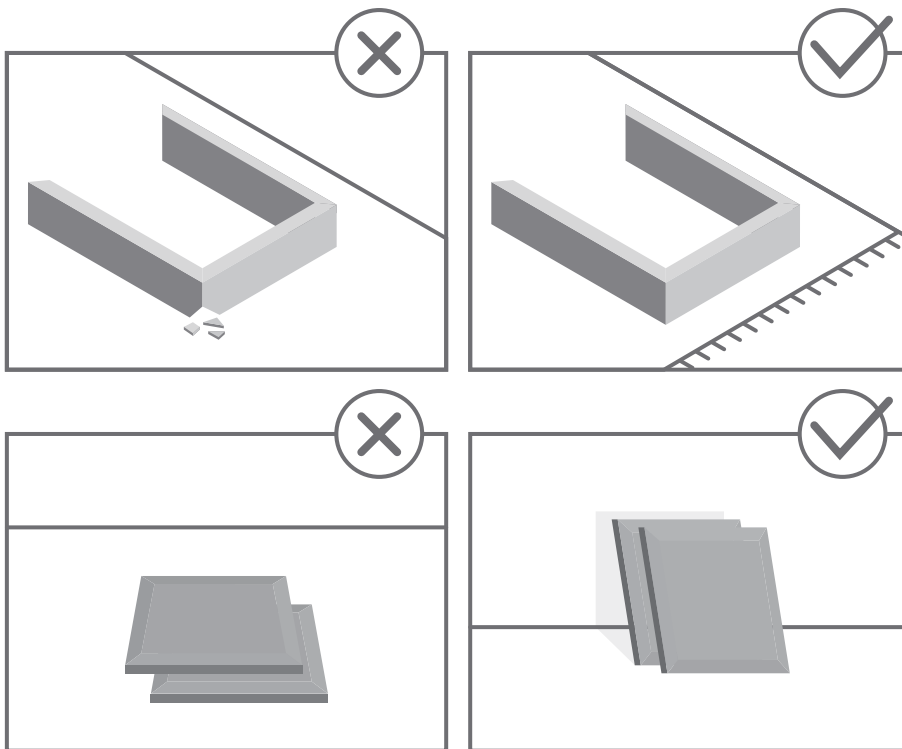


# STOP!

Before beginning the assembly process, ensure all boxes and parts have been delivered.

## FOR BEST RESULTS:

- ☒ Do not throw away packaging materials until assembly is complete.
- ☒ Assemble item on a soft surface, such as cardboard or carpet, to protect finish.
- ☒ Proper assembly requires two people.



View our assembly video online:  
[WWW.MANHATTANCOMFORT.COM](http://WWW.MANHATTANCOMFORT.COM)

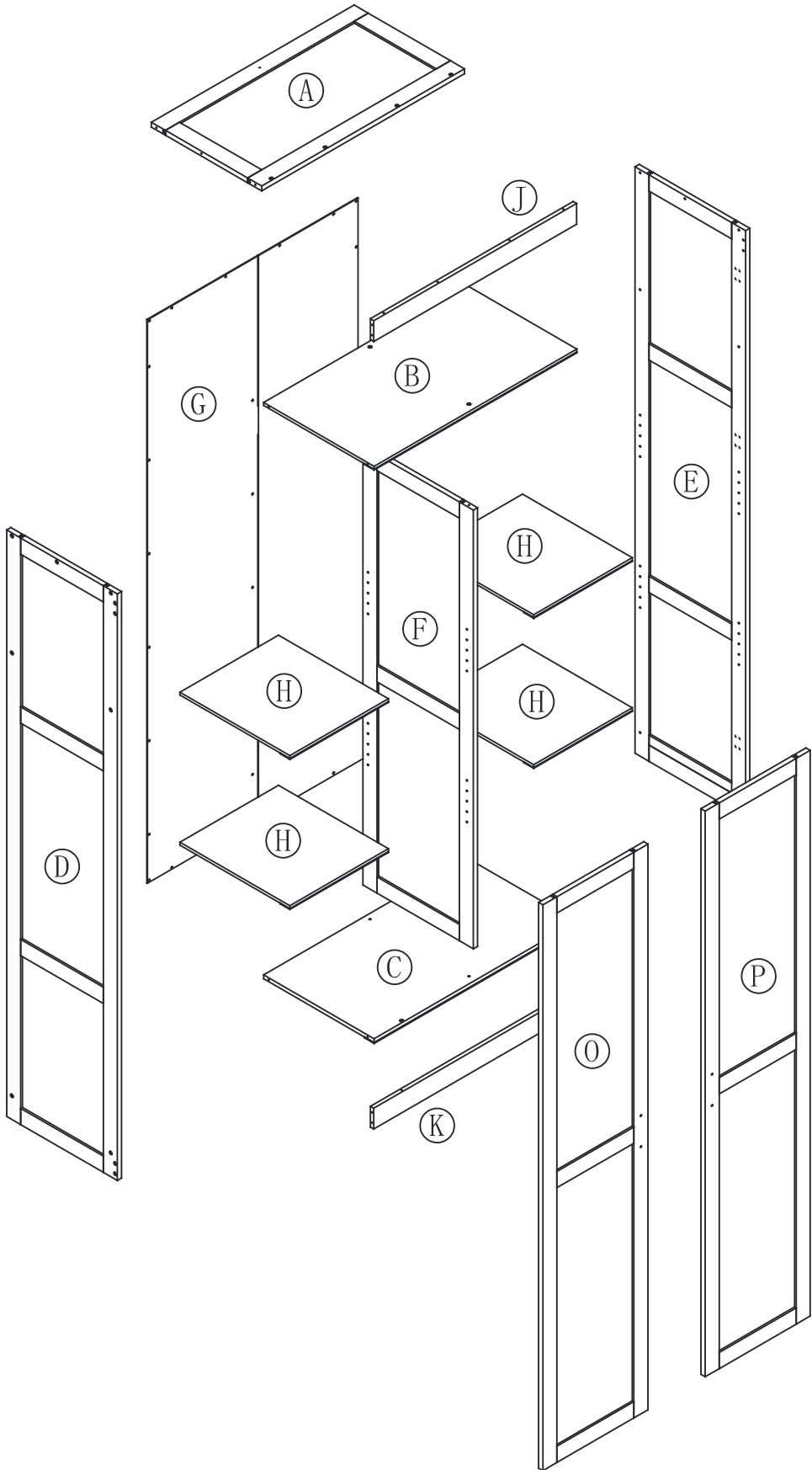


Stuck? Question? We are here to help.  
tel: 908-888-0818  
e-mail: [help@manhattancomfort.com](mailto:help@manhattancomfort.com)

## SUPPORT SITE



# Included in this package:

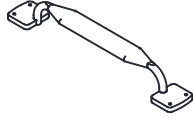


- A. TOP (1)
- B. SHELF (1)
- C. BOTTOM (1)
- D. LEFT END (1)
- E. RIGHT END (1)
- F. UPRIGHT (1)
- G. BACK (1)
- H. ADJUSTABLE SHELF (4)
- J. MOLDING (1)
- K. SKIRT (1)
- O. LEFT DOOR (1)
- P. RIGHT DOOR (1)

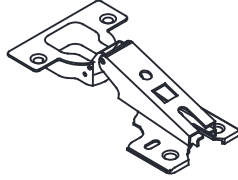
# Hardware Identification

---

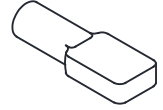
① PULL - 2pcs



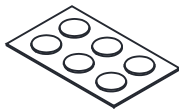
② HINGE - 6pcs



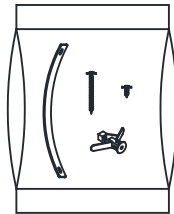
③ METAL PIN- 16



④ APPLIQUE CARD- 6pcs



⑤ FURNITURE TIPPING RESTRAINT KIT - 1pc



⑥ FLAT HEAD SCREW  
M4\*35MM - 32pcs



⑦ MACHINE SCREW  
M4\*16mm - 4pcs



⑧ NAIL  
Ø1.6\*15MM - 29pcs



⑨ FLAT HEAD SCREW  
M4\*12mm - 36pcs





MANHATTAN  
COMFORT

---

## **WARRANTY POLICY**

All Manhattan Comfort furniture products are warranted, to the original purchaser at the time of purchase and for a period of 30 days thereafter.

Our warranty is limited to new products purchased in factory sealed cartons. This warranty is valid in the United States of America and Canada.

In order to provide you with timely assistance, please thoroughly inspect your furniture for missing or defective parts immediately after opening the carton.

Manhattan Comfort offers a 30-day parts replacement warranty on all items.

Our furniture products are not intended for outdoor use.

### THE WARRANTY DOES NOT COVER:

- Defects/damages by improper assembly or disassembly.
- Defects/damages caused by shipping. Claims for damage during transit should be placed immediately to the transportation company.
- Defects/damages caused by inappropriate use of the furniture.

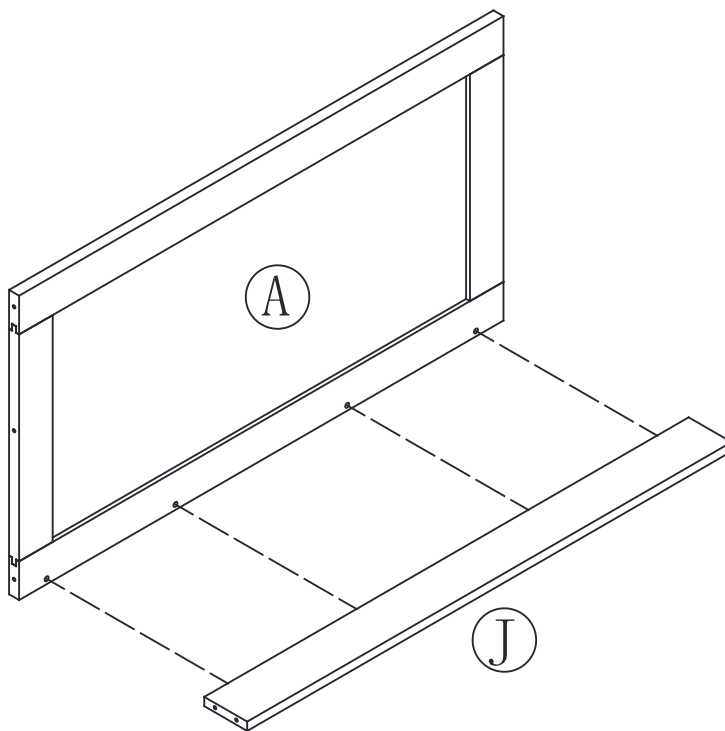
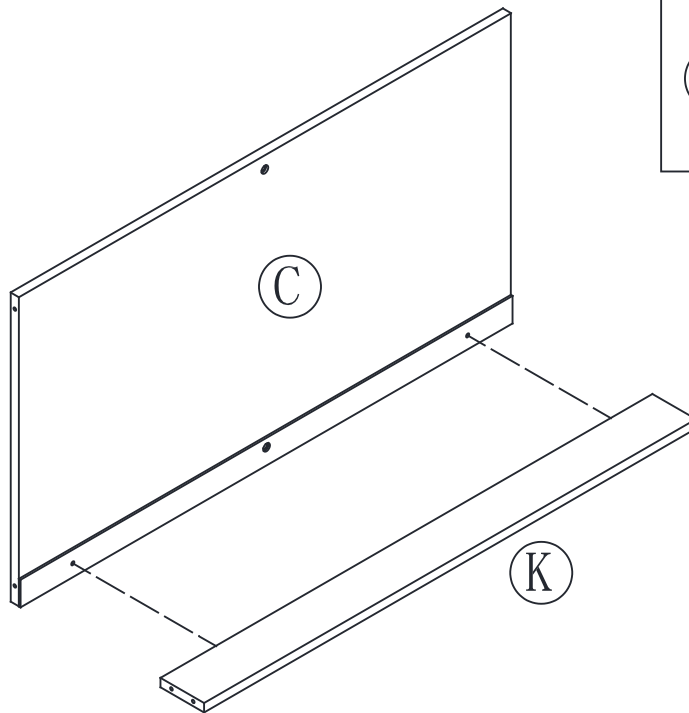
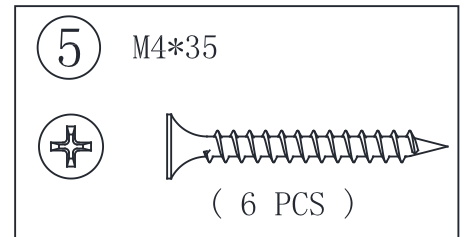


319 Ridge Rd. Dayton, NJ 08810

908-888-0818

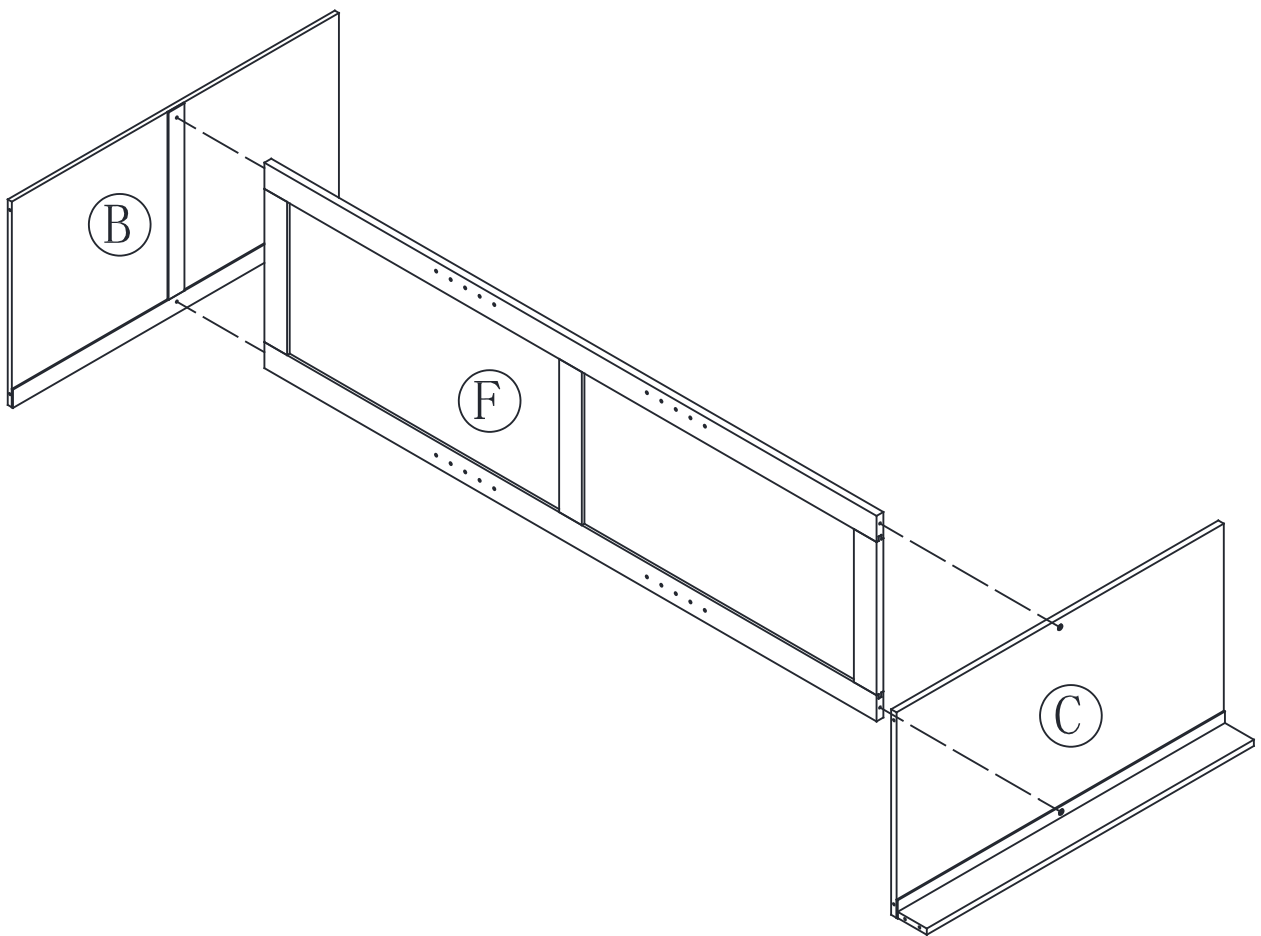
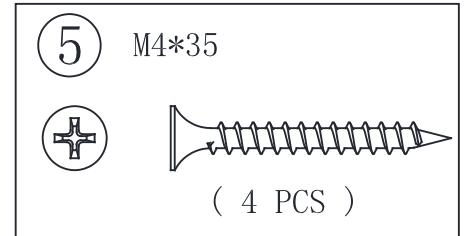
# Step 1

- ◆ Fasten the MOLDING (J) to the TOP (A) and the SKIRT (K) to the BOTTOM (C).  
Use six FLAT HEAD SCREWS (5).



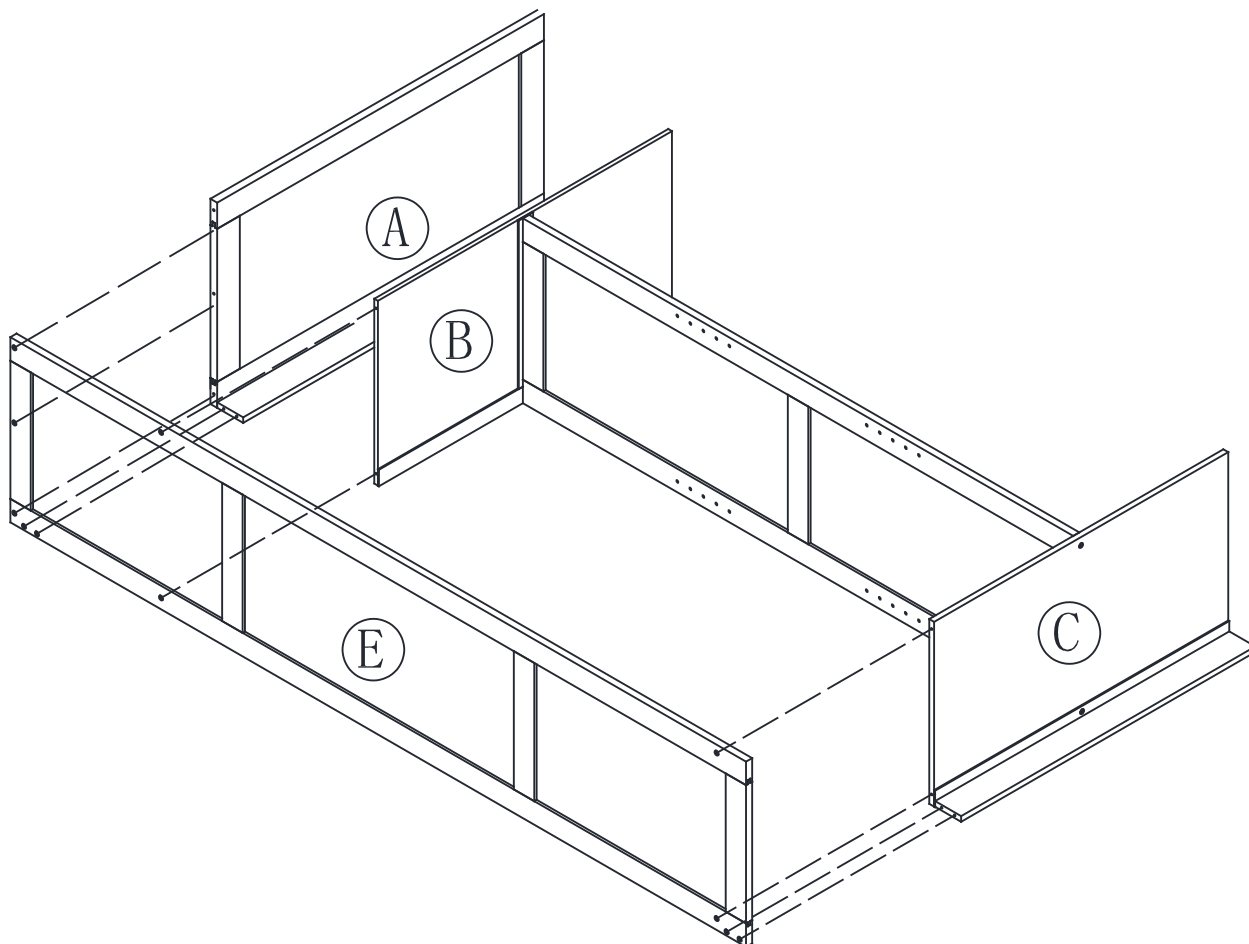
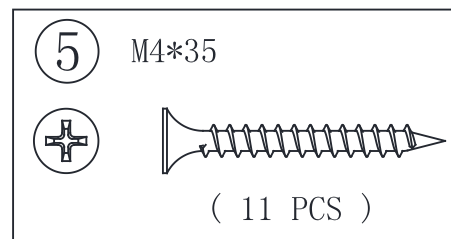
# Step 2

- ◆ Fasten the UPRIGHT (F) to the SHELF (B) and the BOTTOM (C) .  
Use four FLAT HEAD SCREWS (5).



# Step 3

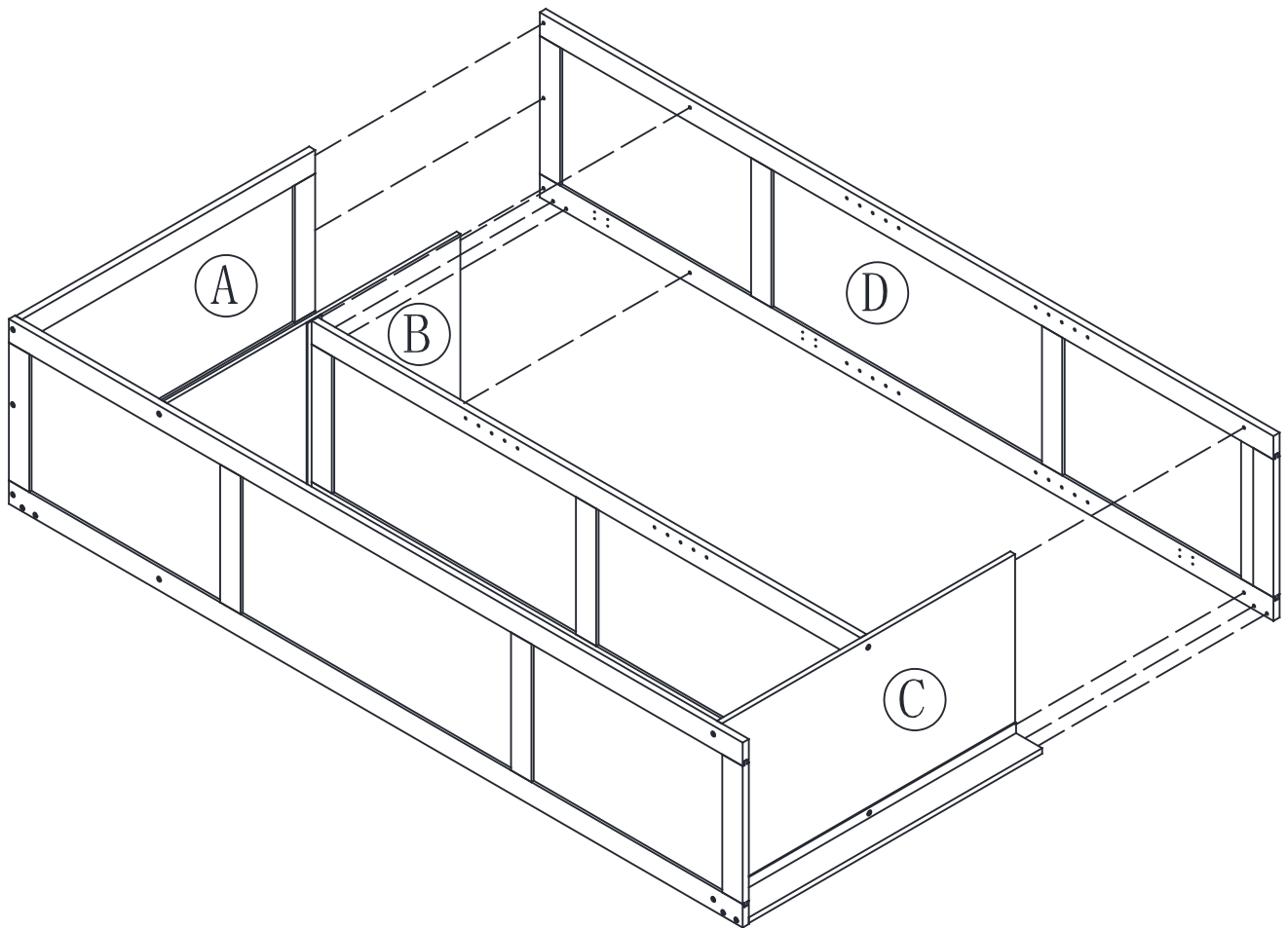
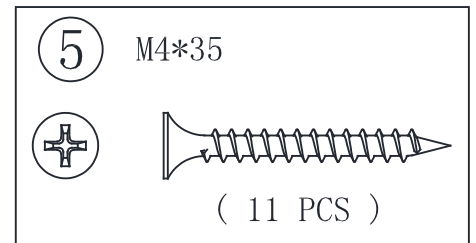
- ◆ Fasten the RIGHT END (E) to the SHELF (B), BOTTOM (C) and the TOP (A).  
Use eleven FLAT HEAD SCREWS (5).





# Step 4

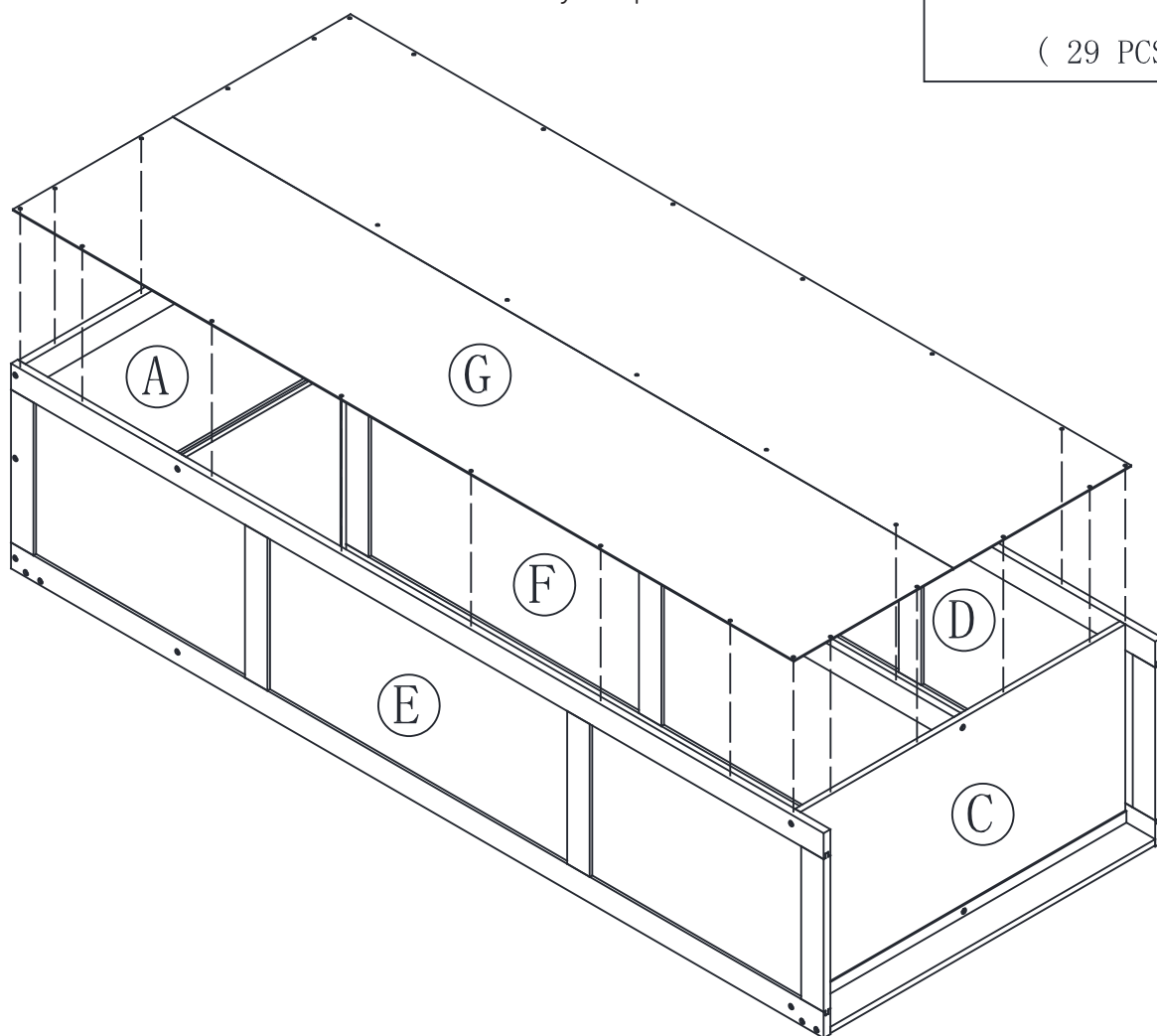
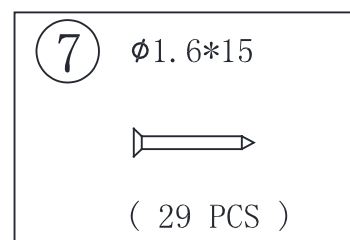
- ◆ Fasten the LEFT END (D) to the TOP (A), SHELF (B) and the BOTTOM (C).  
Use eleven FLAT HEAD SCREWS (5).



# Step 5

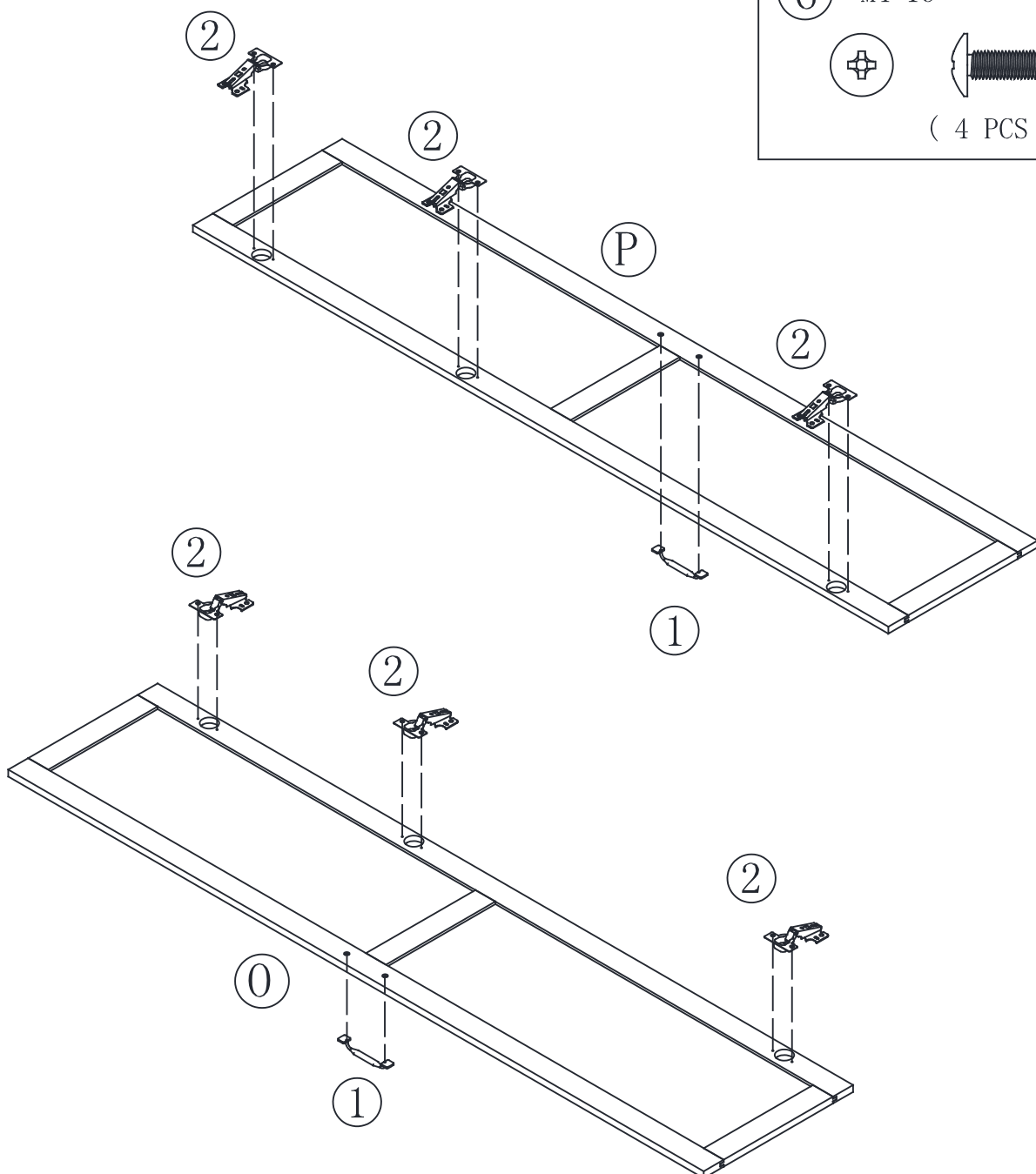
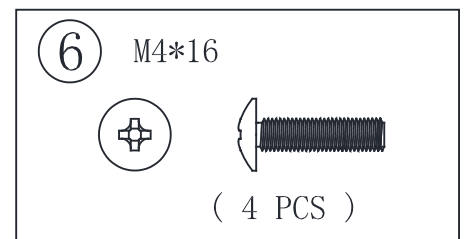
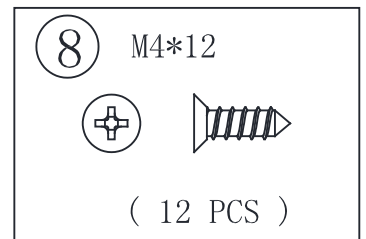
- ◆ Make equal margins along all four edges of the BACK (G). Push on opposite corners of your unit if needed to make it "square".
- ◆ Using your hammer, fasten the BACK (G) to your unit using the NAILS (7).
- ◆ NOTE : Be sure to tap NAILS into the holes that line up over the UPRIGHT (F).

! Caution !  
Do not stand the unit upright without the  
BACK fastened.  
The unit may collapse.



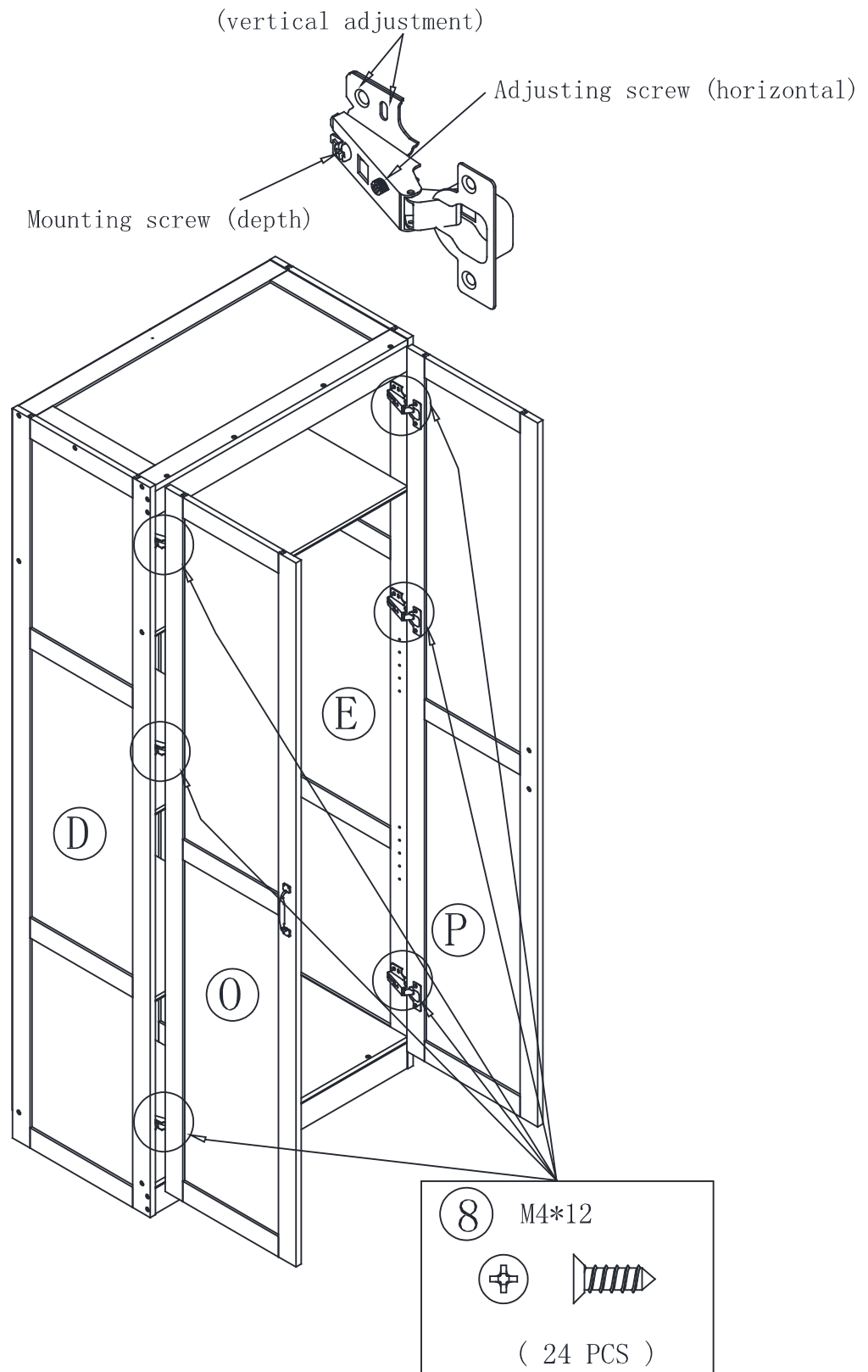
# Step 6

- ◆ Fasten the HINGES (2) to the DOORS (O and P). Use twelve FLAT HEAD SCREWS (8).  
Fasten the PULLS (1) to the DOORS (O and P). Use four MACHINE SCREWS (6).



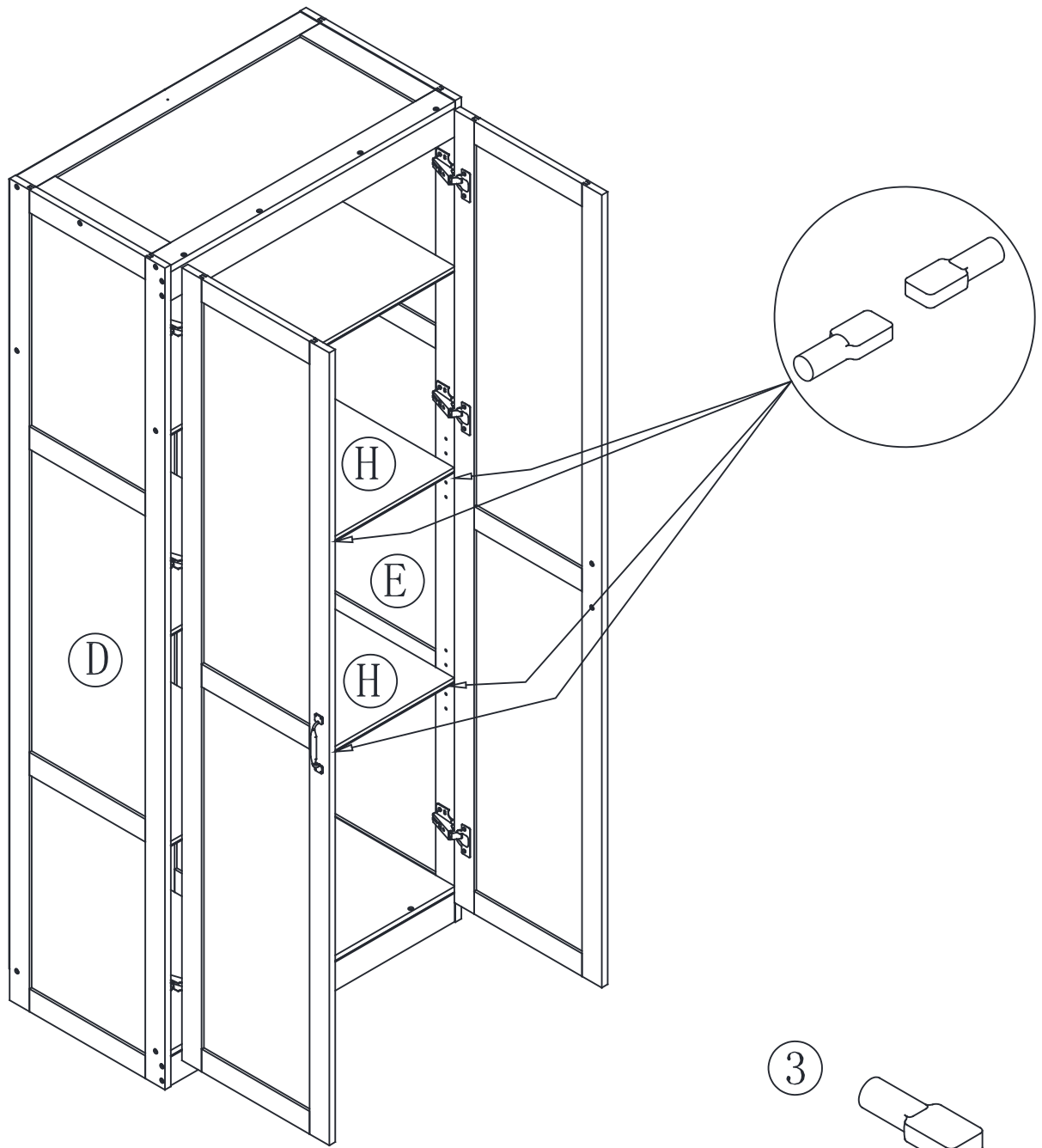
# Step 7

- ◆ Carefully stand your unit upright.
- ◆ Fasten the DOORS (O and P) to the ENDS (D and E). Use the FLAT HEAD SCREWS (8) in the HINGES.
- ◆ You should start each SCREW a few turns before completely tightening any of them.

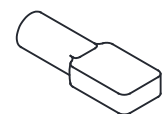


# Step 8

- ◆ Insert the METAL PINS (3) into the hole location of your choice in the ENDS (D and E) and UPRIGHT (F).  
Set The ADJUSTABLE SHELVES (H) onto the METAL PINS.



3



( 16 PCS )

# Step 9

Open the FURNITURE TIPPING RESTRAINT KIT and fasten the SAFETY STRAP to the TOP (A).

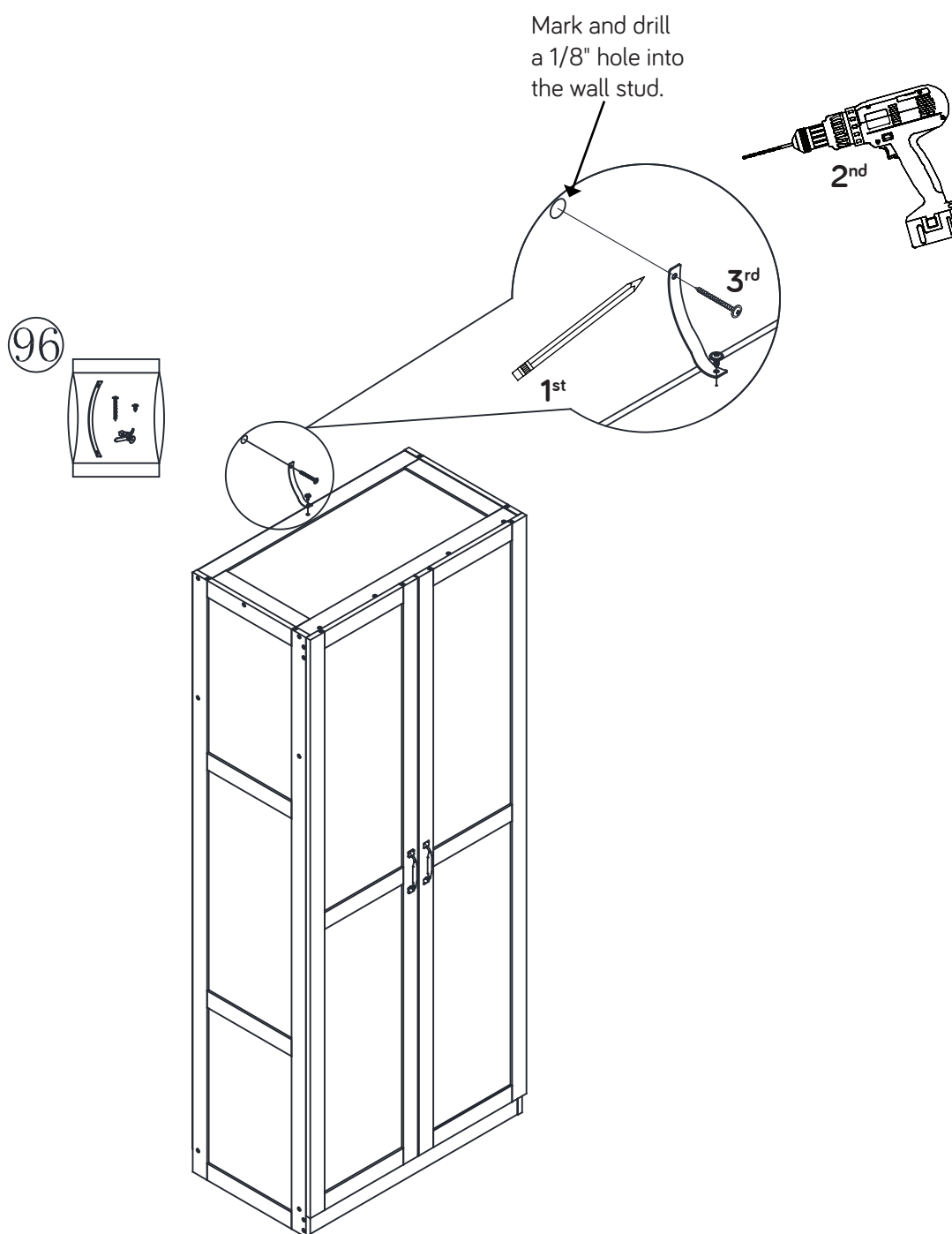
- ◆ Use the SHORT SCREW through the hole in the strap and into the top surface of the TOP (1). Place your unit in its final location.

- ◆ NOTE: The following instructions show your unit being fastened to a wall stud. If you are not fastening your unit wall stud, go to the next step now.

1st- Locate the center of a stud in your wall near your unit and mark it with a pencil.

- ◆ 2nd- Drill a 1/8" hole on the mark and into the stud in your wall.

3rd- Fasten the unit to the wall. Use the LONG SCREW through the other end of the SAFETY STRAP and into the 1/8" hole.



# Step 10

1st- With your pencil, strike a mark through the center of the hole in the SAFETY STRAP.

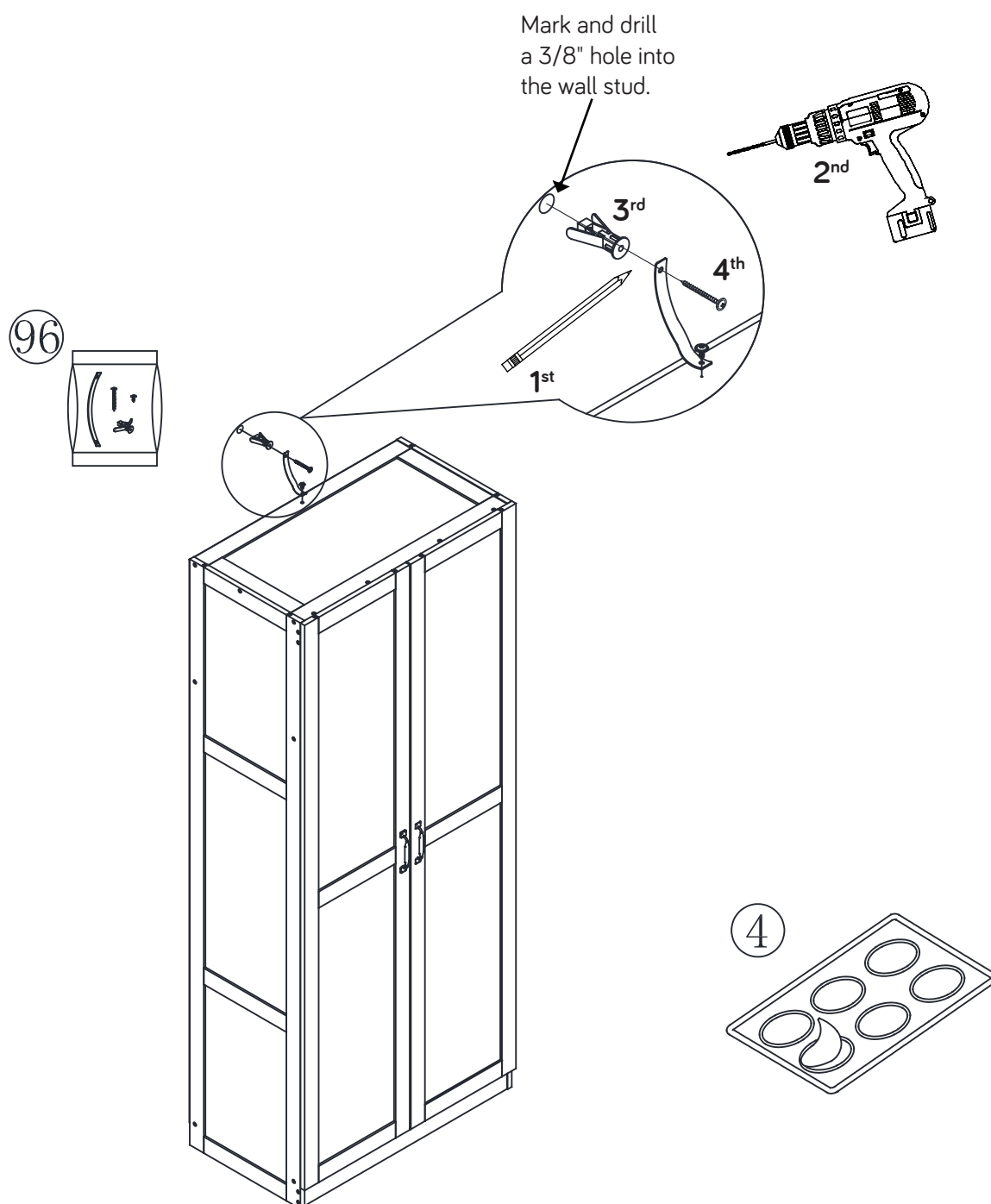
2nd- Drill a 3/8" hole on the mark.

◆ 3rd- While you squeeze the wings together, gently tap the WALL ANCHOR from the FURNITURE TIPPING KIT (96) into the hole until it is even with the surface of the wall.

4th- Turn the LONG SCREW through the hole in the SAFETY STRAP and into the WALL ANCHOR.

◆ NOTE: You will need to turn the LONG SCREW multiple turns to completely tighten and secure your unit.

◆ Peel the APPLIQUES (4) from the applique card and stick them over the heads of the SCREWS in the ENDS.



# Step 11

---

