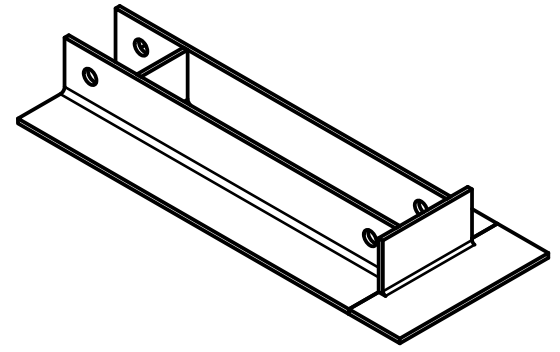
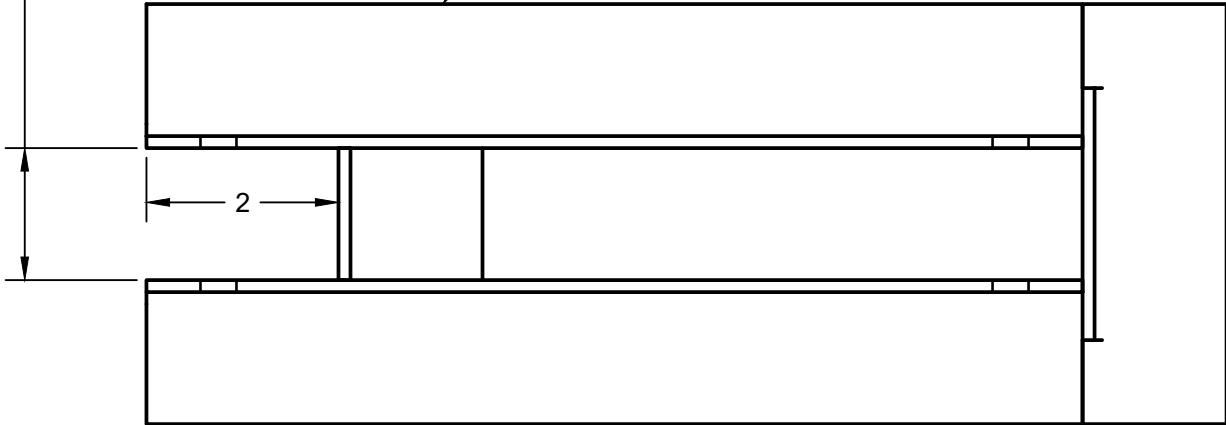


Title: Bed Base		
Part #:	Verified:	
Model:	Years: 55 to 67	
VIN #:	to	Rev: 2
File name:	Sheet: 1 of 4	



$1\frac{3}{8}$ (Fit with tube and washers)

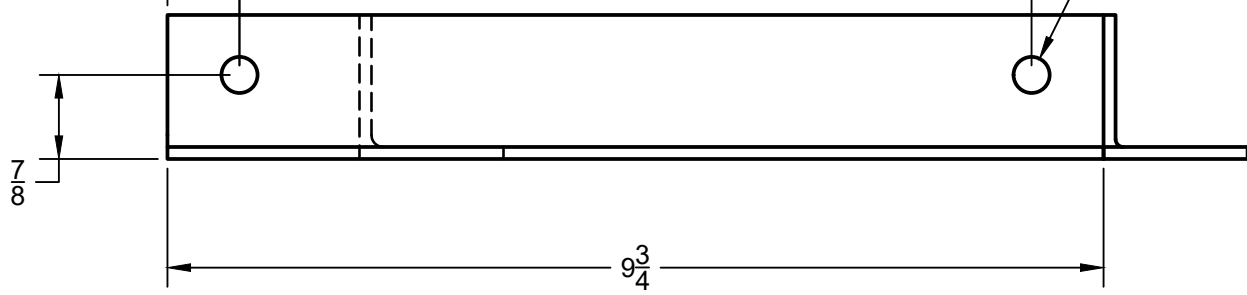
$1\frac{1}{2} \times 1\frac{1}{2}$ angle



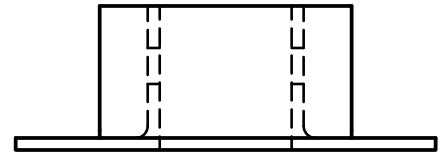
$\frac{3}{4}$

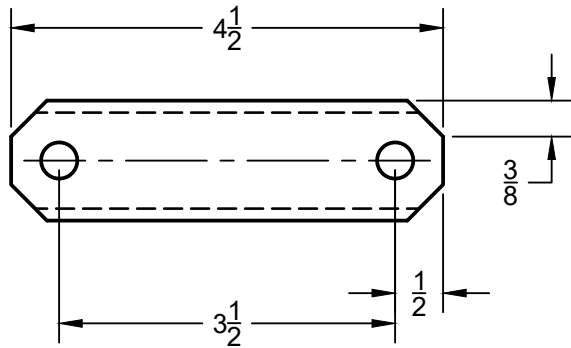
$8\frac{1}{4}$

$\varnothing\frac{3}{8}$



$2\frac{5}{8}$





1 $\frac{1}{4}$ " x 1 $\frac{1}{4}$ " x $\frac{1}{8}$ " tube

