



PULSE Alcove Tub

Model #PT-2001L-30, PT-2001R-30,
PT-2001L-32, PT-2001R-32

PW-9TU2001-3060LT, PW-9TU2001-3060RT,
PW-9TU2001-3260LT, PW-9TU2001-3260RT

Owner's Manual

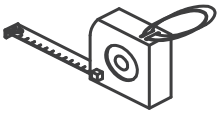


Please Read The Following Instructions
COMPLETELY Before Beginning!

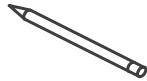
Our goal is to ensure your installation goes smoothly and safely. Please read these instructions carefully and follow recommendations for plumbing and mounting. After reading instructions, if you determine you do not have the necessary skills and/or tools, we recommend that a licensed plumbing contractor complete the installation.

If you encounter any problems during installation
PLEASE VISIT CUSTOMER SUPPORT AT
WWW.PULSESHOWERSPAS.COM
Before returning your Alcove Tub to the store

Tools Required for Installation (Not Included)



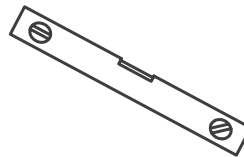
Tape Measure



Pencil/Marker



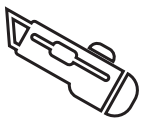
Safety Glass



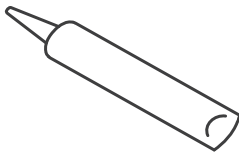
Level



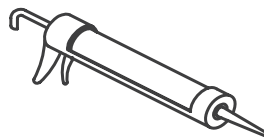
Soft Cloth or Blanket



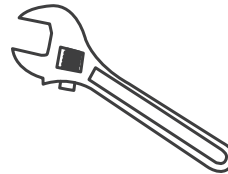
Knife



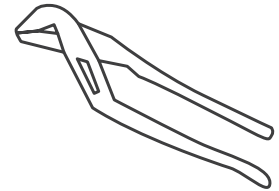
Silicone



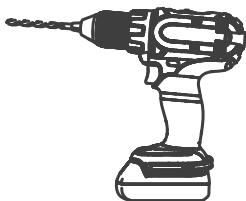
Caulk Gun



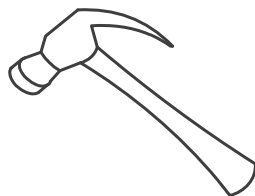
Adjustable Wrench



Channel Lock Pliers



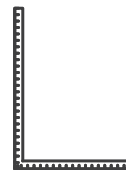
Drill



Hammer



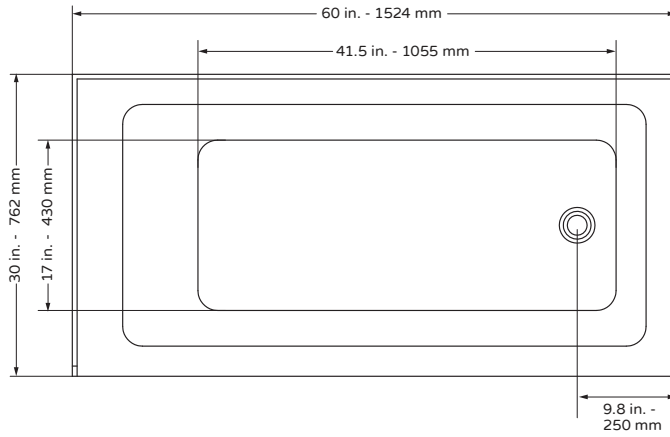
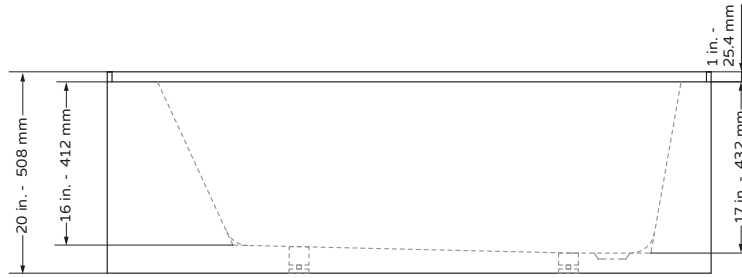
Hacksaw



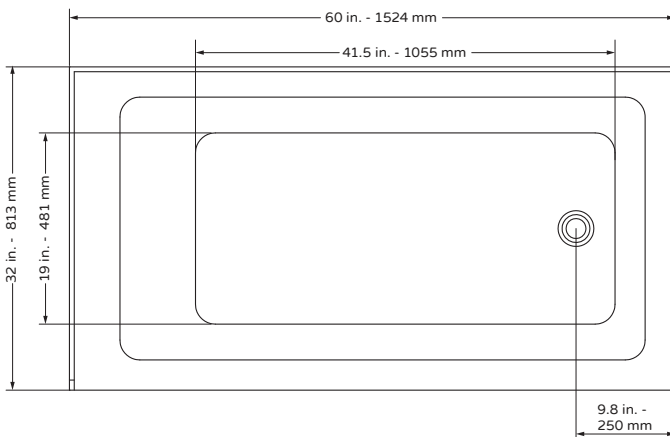
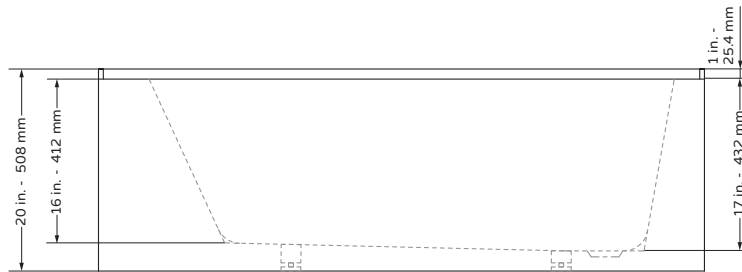
Framing Square

Dimensions

PT-2001L-30, PT-2001R-30, PW-9TU2001-3060LT, PW-9TU2001-3060RT

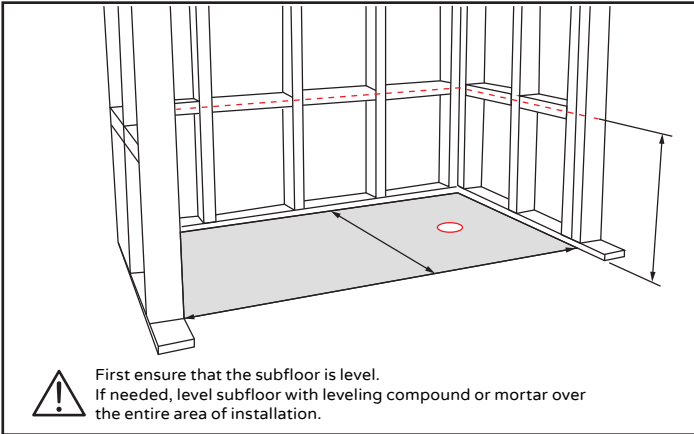


PT-2001L-32, PT-2001R-32, PW-9TU2001-3260LT, PW-9TU2001-3260RT



Installation Instructions

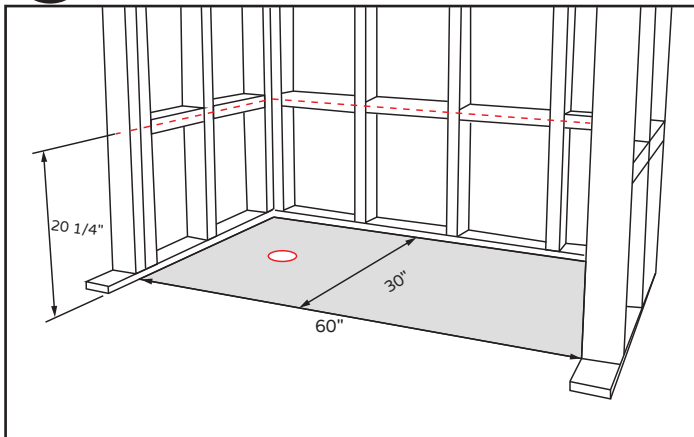
1



⚠ First ensure that the subfloor is level. If needed, level subfloor with leveling compound or mortar over the entire area of installation.

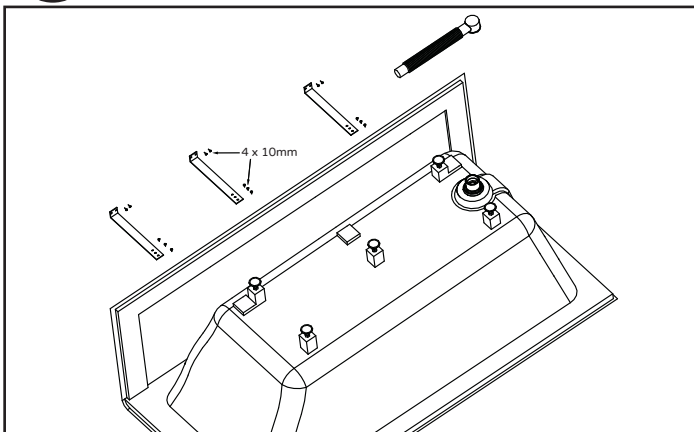
Cut subfloor to accommodate plumbing in compliance with local plumbing and building code. Verify your bathtub for final dimensions.

2



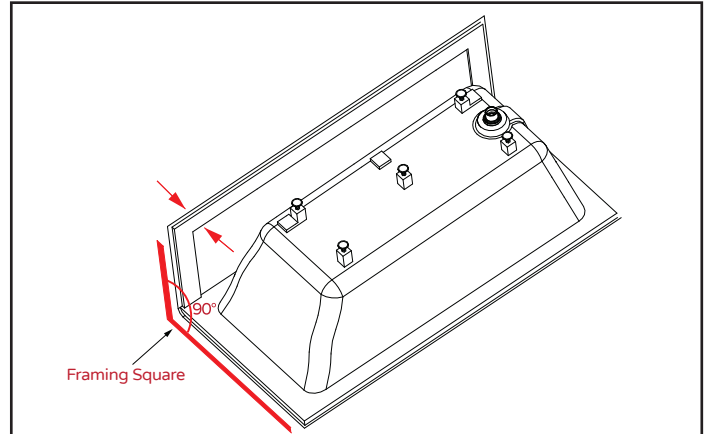
Position bathtub. Verify that the draining pipe location matches the actual location of the bathtub drain. Remove the bathtub.

3



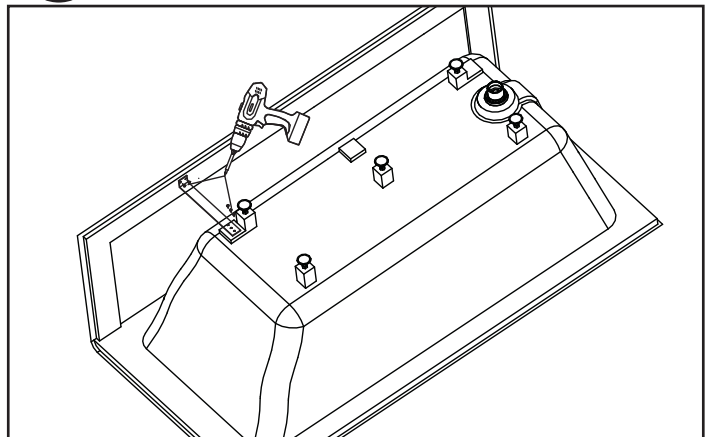
Locate provided L-brackets and screws

4



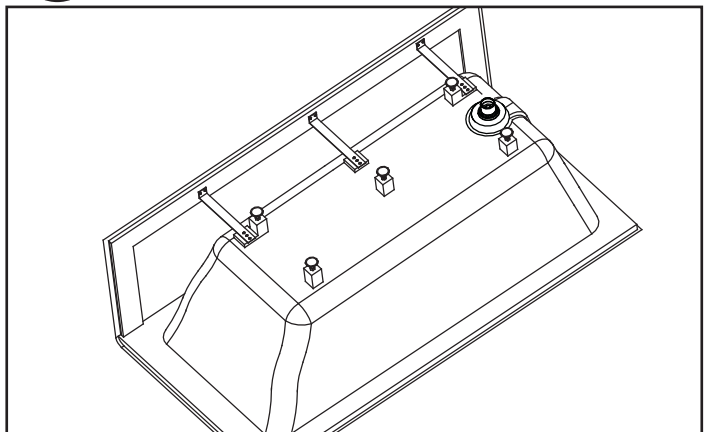
Using a framing square to gauge the angle, hold skirt at 90 degrees from top of tub

5



While held in place, install L-Bracket (utilizing provided screws.) Attach the flat side to the mounting block and the angled side to reinforced skirt. **NO PRE-DRILLING REQUIRED**

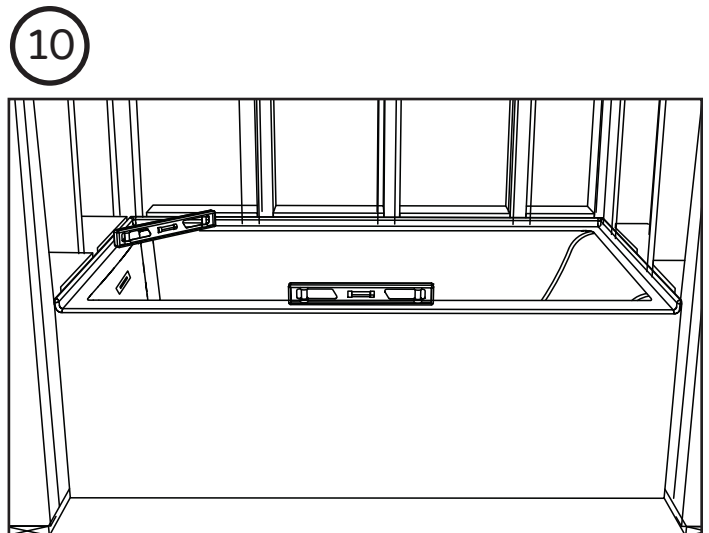
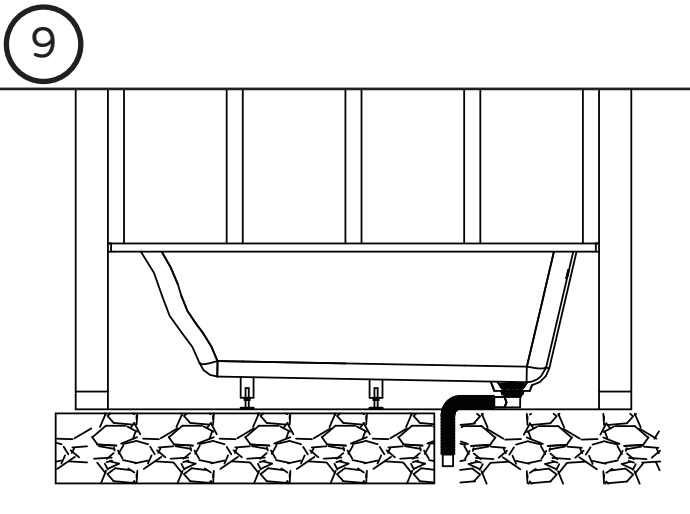
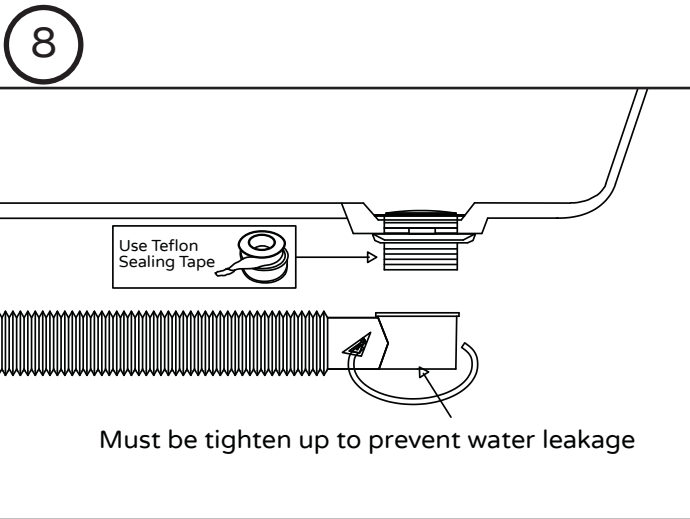
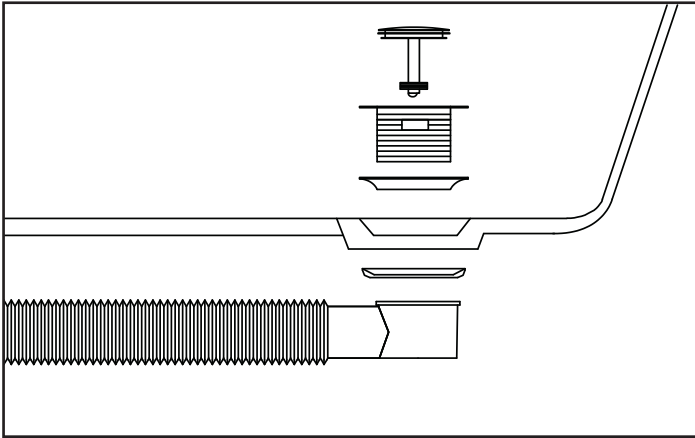
6



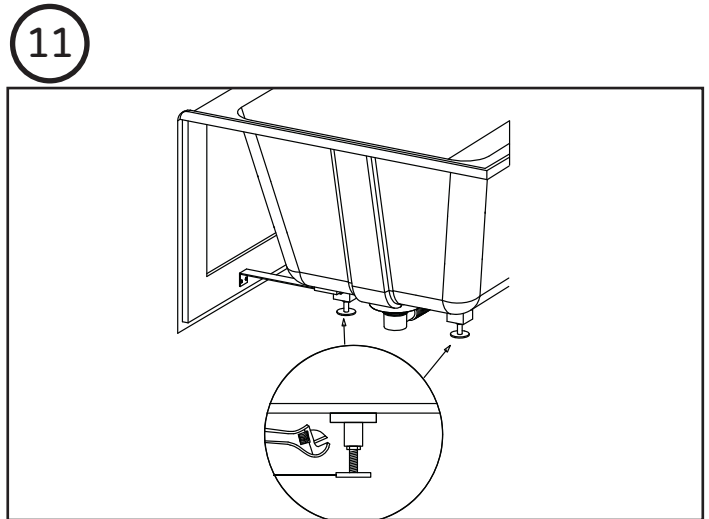
Install the other two L-brackets in the same manner.

Installation Instructions

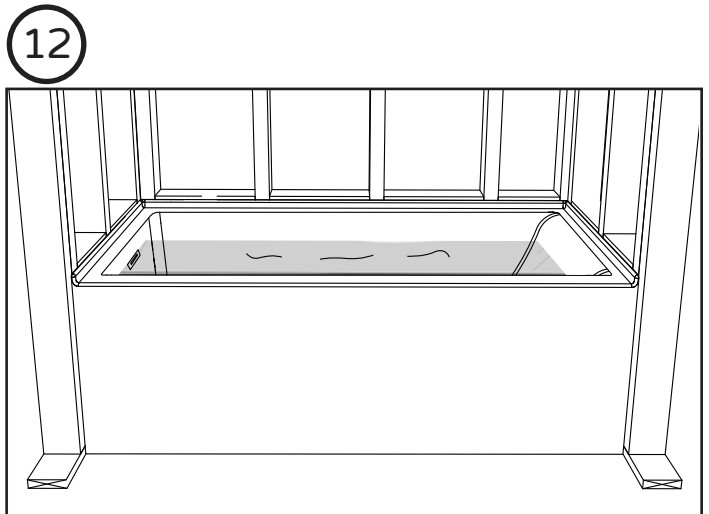
7 Installing the Flex Drain



The bathtub can be leveled by adjusting the feet.



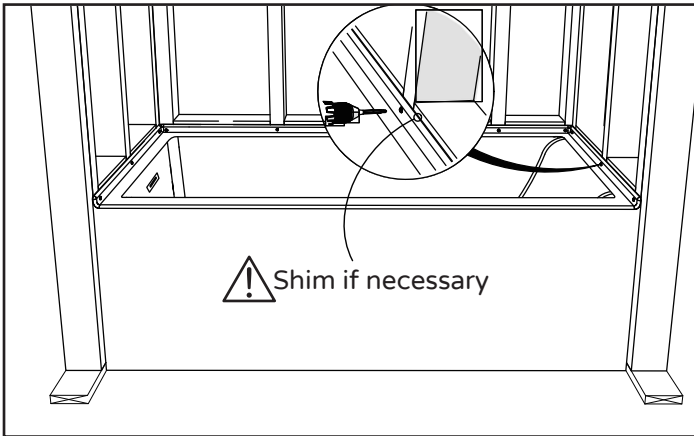
Lock the adjustment by tighten the hexagon nut.



The bathtub must be tested before installation is completed. Fill the tub to the overflow and inspect it for leaks. Tighten any loose connections.

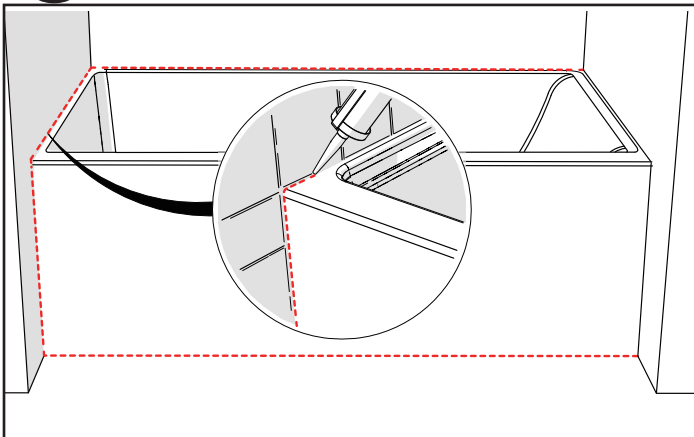
Installation Instructions

13



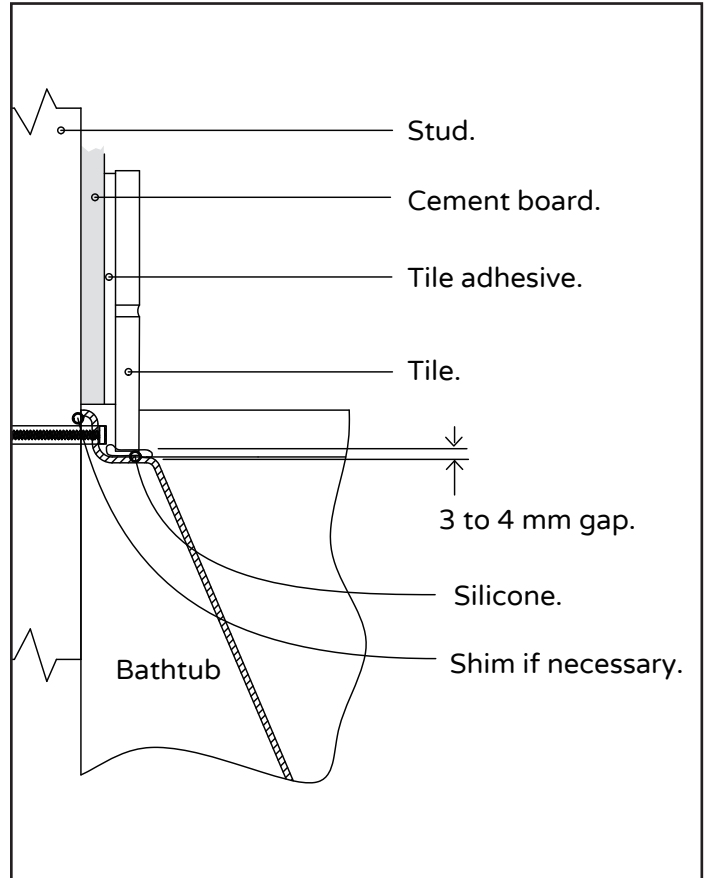
Fasten bathtub to studs framing.

14



Apply silicone sealant to seal the joints between the bathtub rim and the finished wall.

15



Reference for Correct Tile Flange Installation . Use drawing above as a reference guide for rough-in measurements.

