

850/V70

Section
8

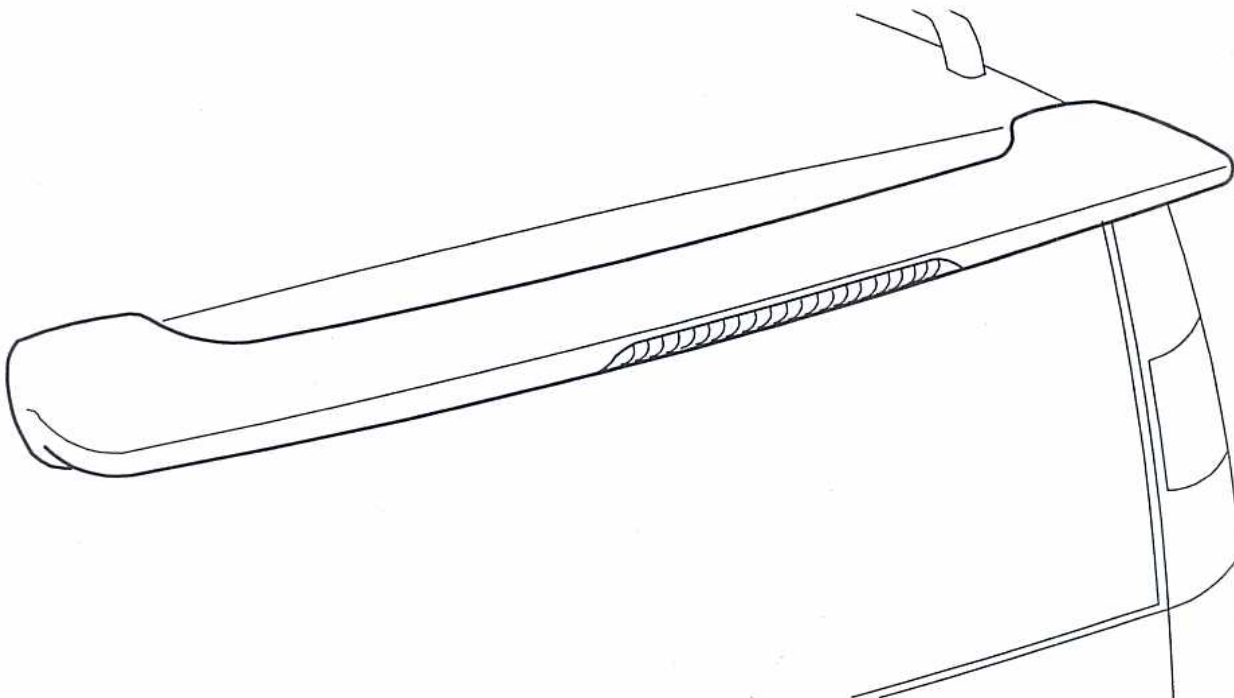
Group
89

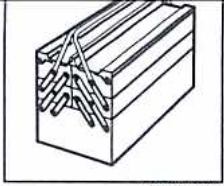
No.
175

Date
Dec -98

Takspoiler med eller utan bromsljus
Roof spoiler with or without brake light
Béquet de toit avec ou sans feu stop
Dachspoiler mit oder ohne Bremslicht
Spoiler de techo con o sin luz de freno
Dakspoiler met of zonder remlicht
Kattospoileri, jarruvalolla/ilman
Spoiler tetto con o senza luce di arresto
Spoiler do tejadilho com ou sem luz de travoes

Ersätter utgåva
Replaces issue





0000162A



0000162A/0000163A/0000161A

Comments on this publication?

Please send to:

Volvo Car Corporation
Technical Service, QATS
Dept 91620, SAA1
405 08 Göteborg
Sweden

or Telefax: +46 31 599220

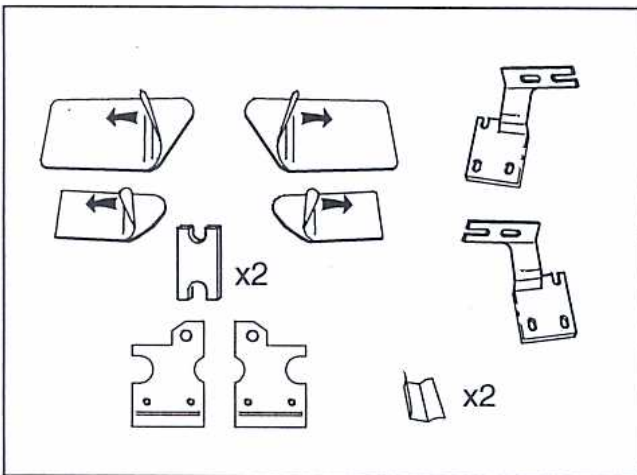
Publication no: MA 9499177 Dec. -98

Comments:.....

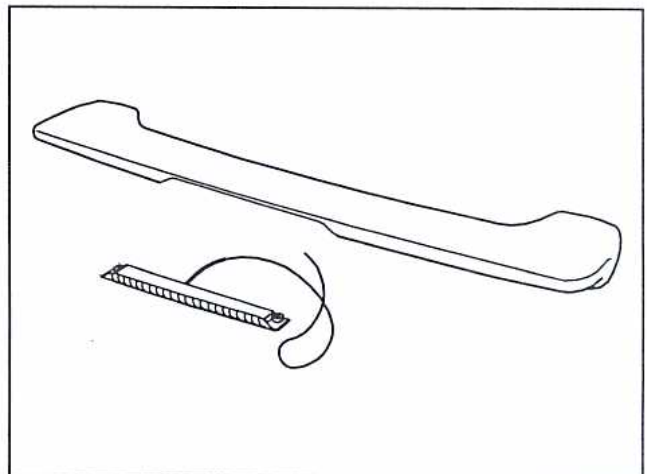
From:

Address/Telefax:

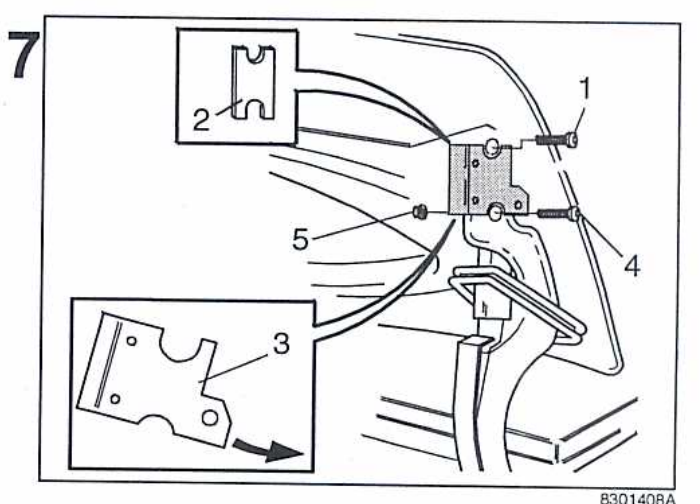
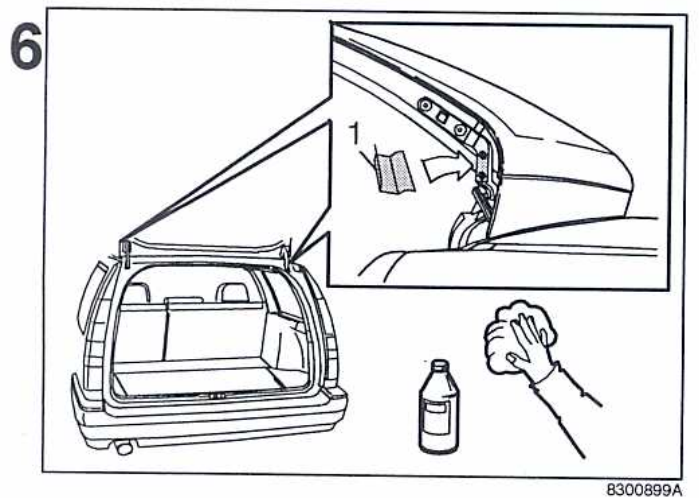
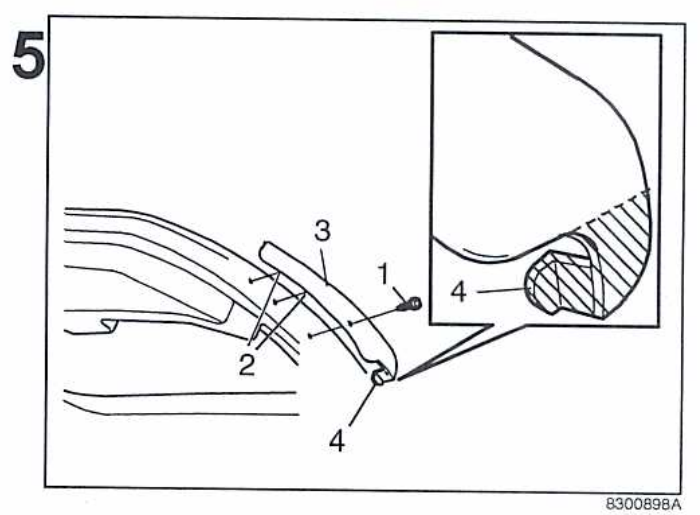
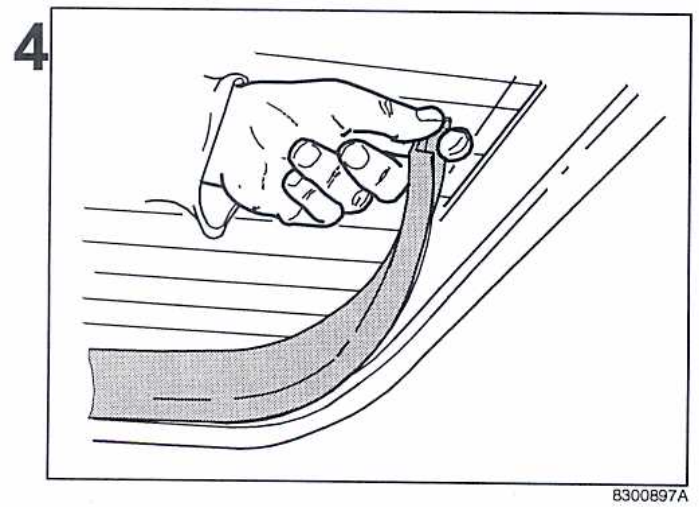
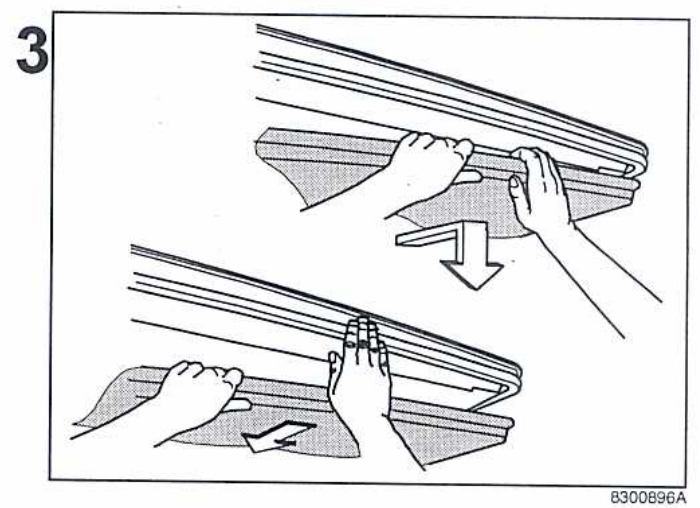
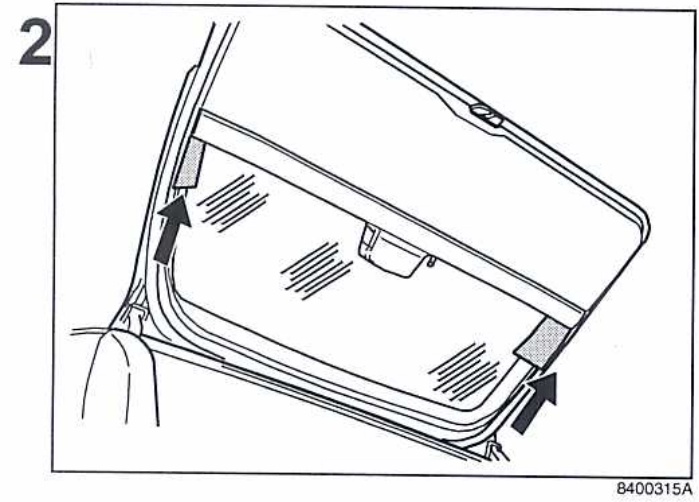
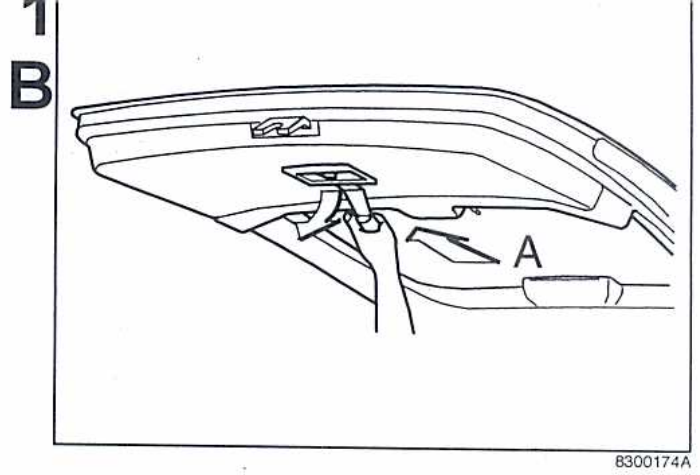
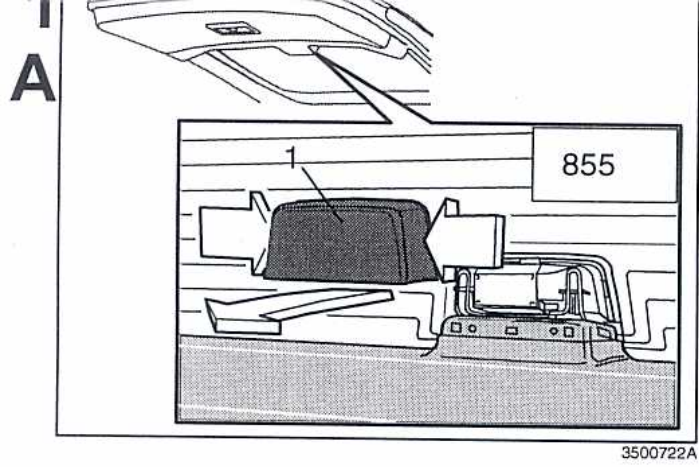
Thank You!

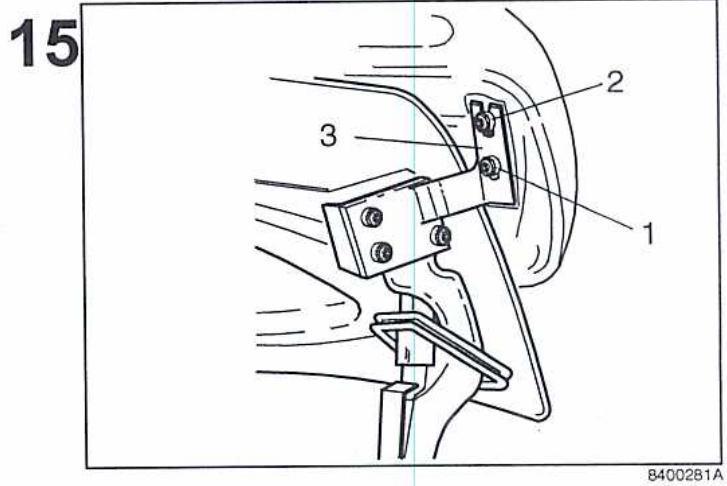
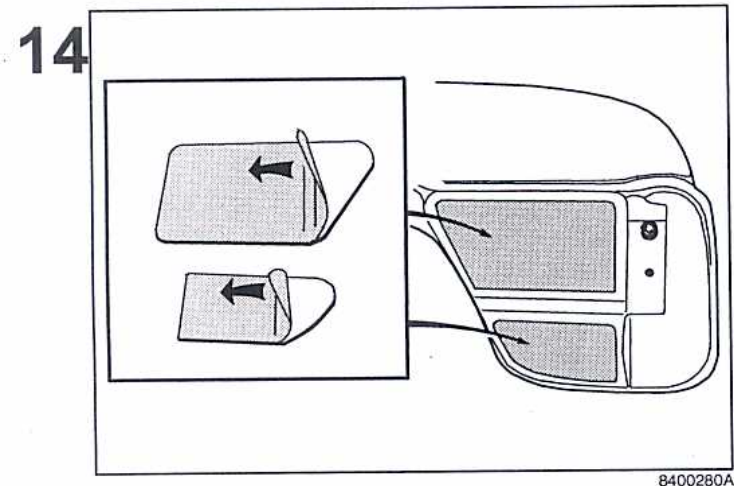
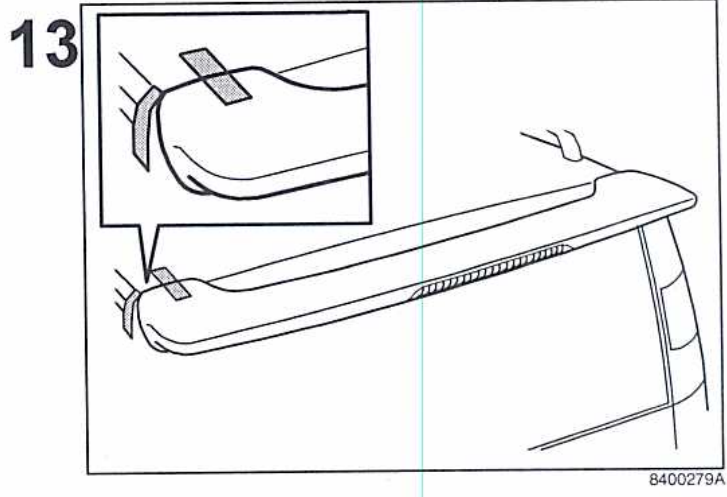
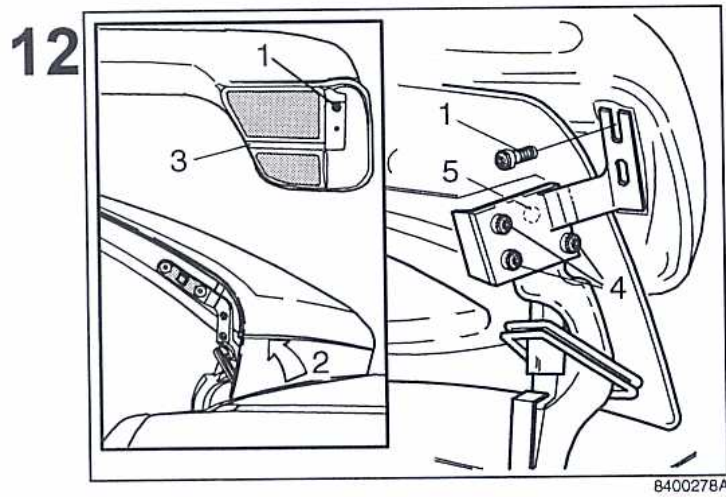
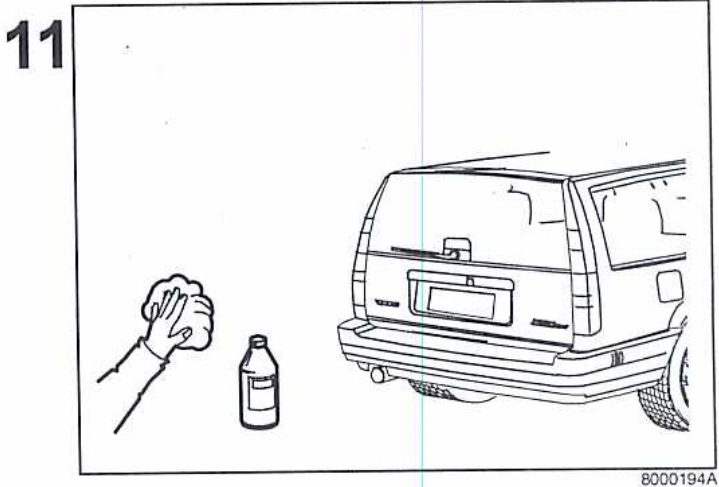
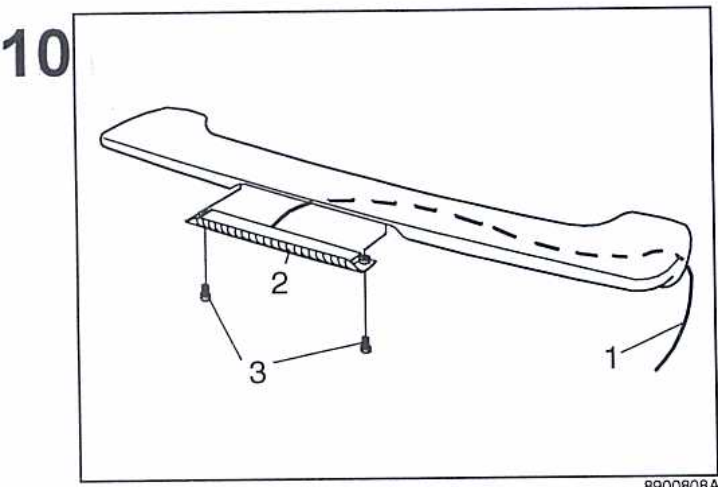
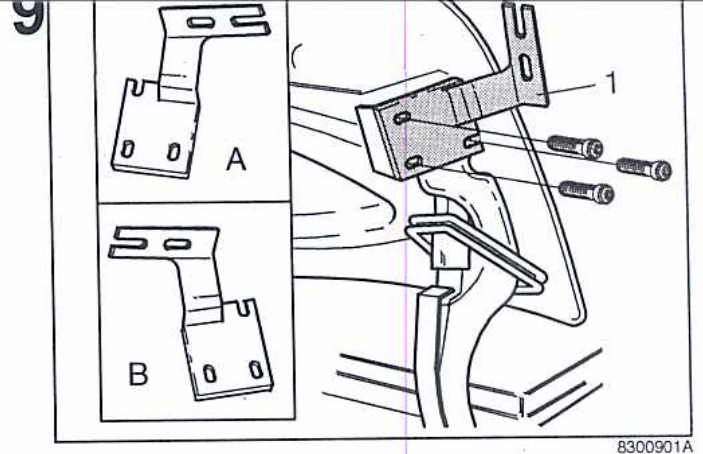
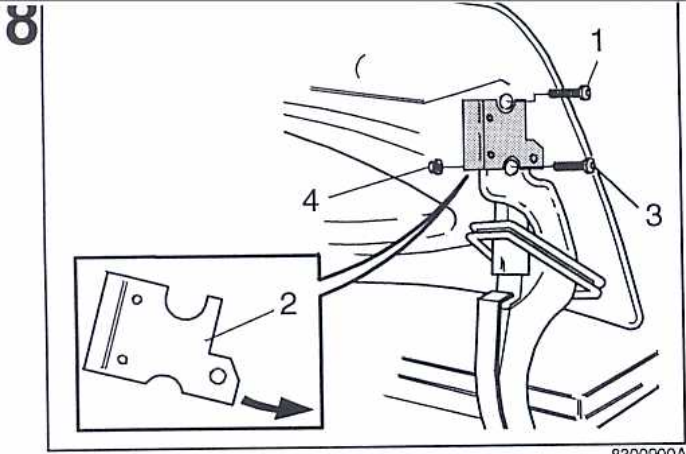


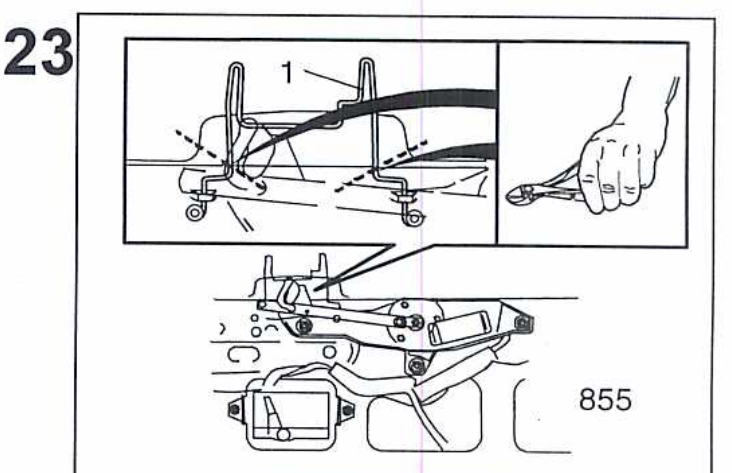
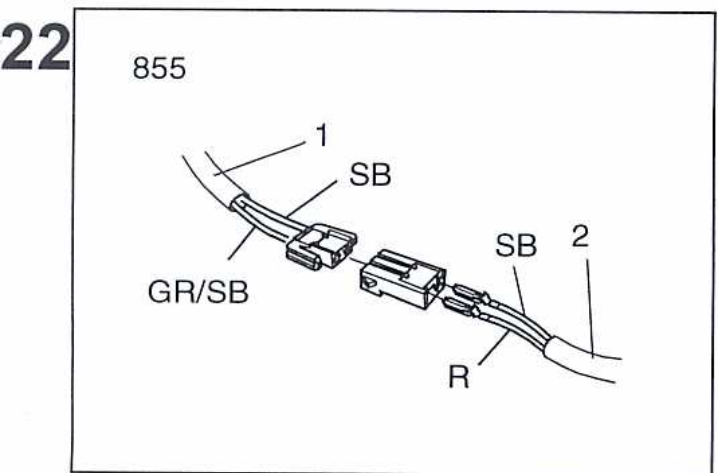
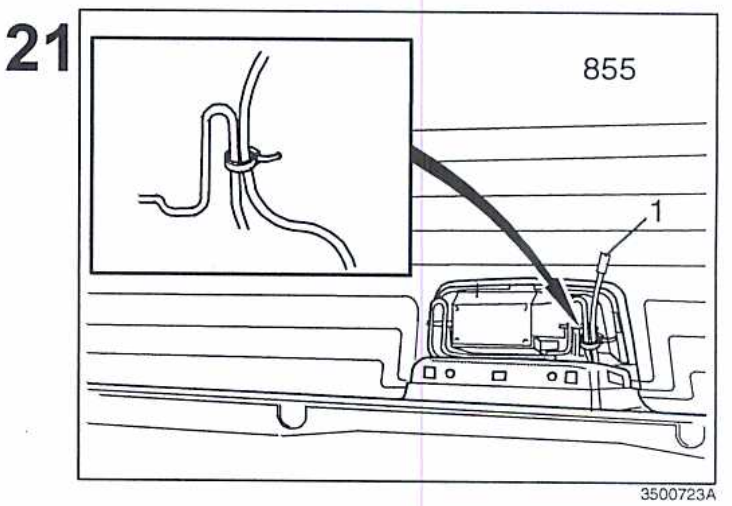
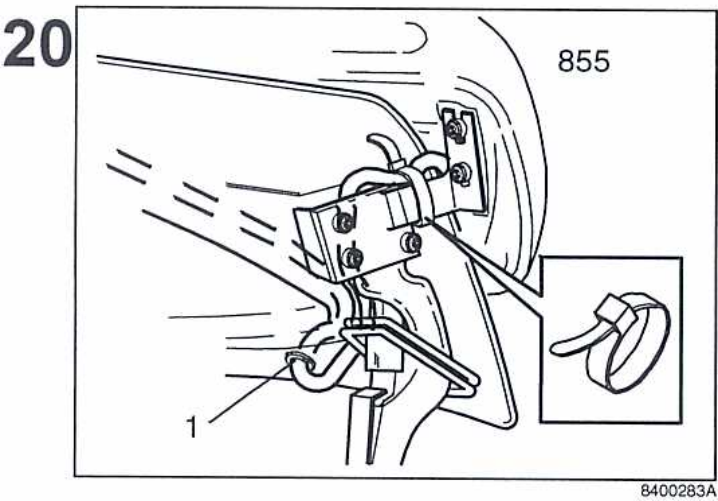
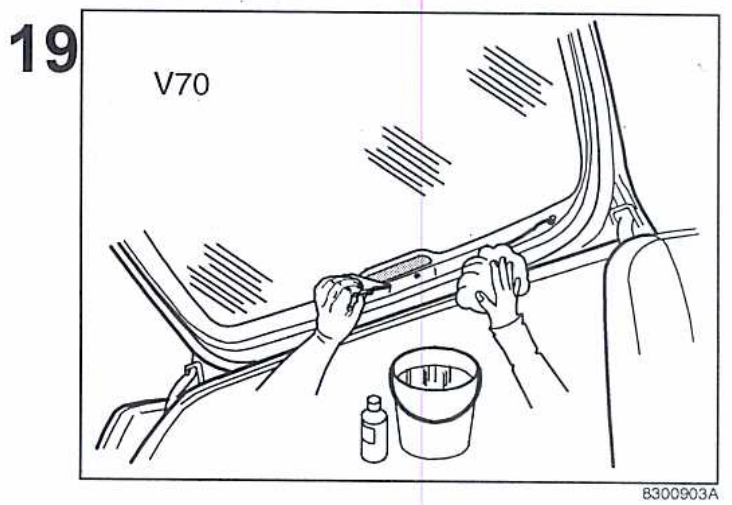
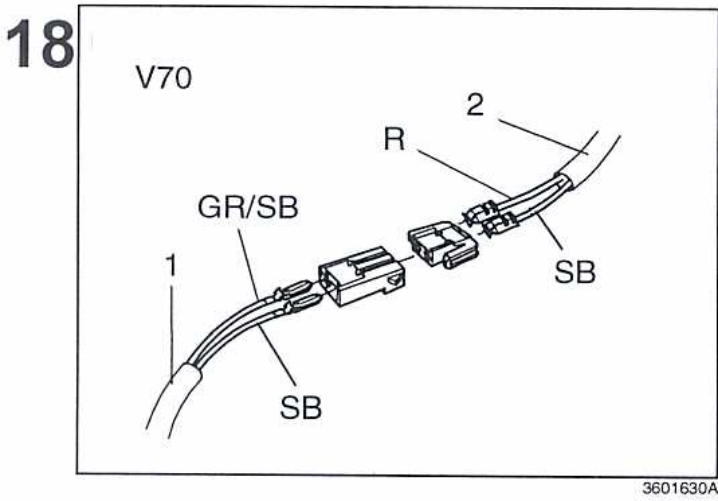
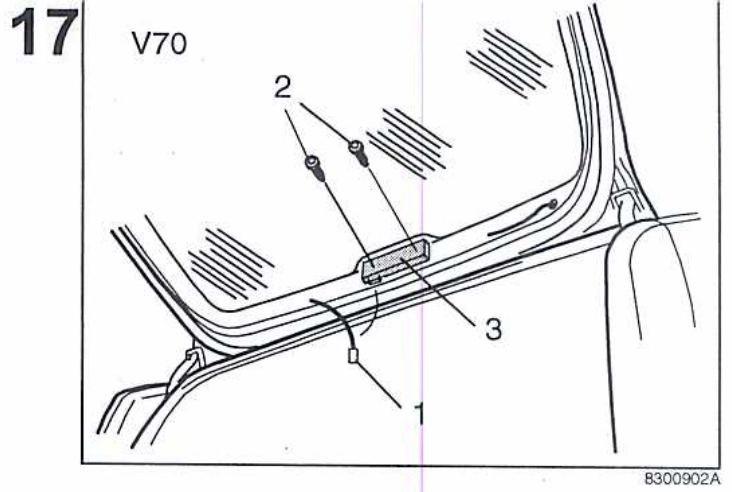
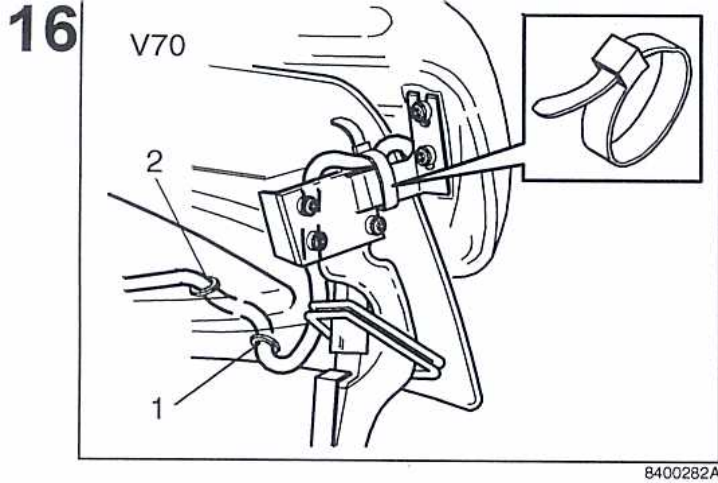
8400292A



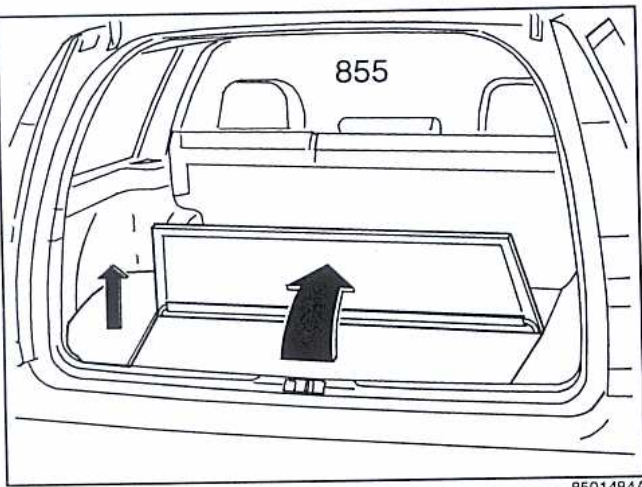
8400293A





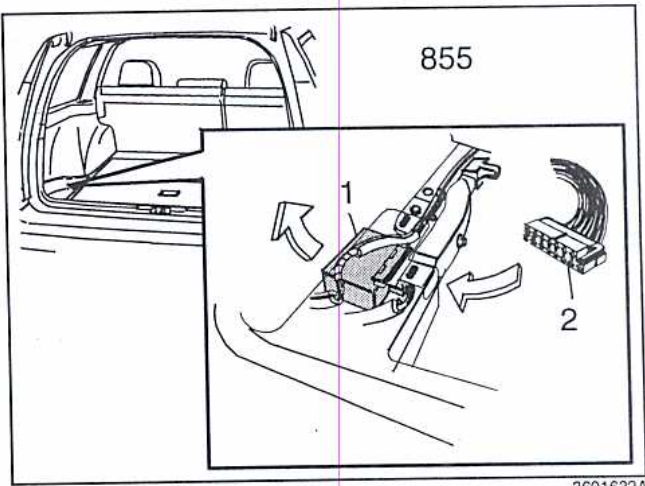


24



8501484A

25



3601632A

INTRODUCTION

- Read through before starting work!
- The front page contains the date of this edition and the edition that it replaces.
- The tools required and the contents of the installation kit are shown on the second page.
- The pictures describe the method in order of operation. This order is repeated in the text section.
- Cut out the text page in order to follow the pictures and text at the same time.

Applies only to 855

Colour co-ordinated cover and filament failure sensor available separately.

Applies to certain markets

In cars that have a third brake light mounted in the rear window as standard, there is a wire leading from behind the tailgate panel connecting the brake light to the spoiler.

- 1 Applies to spoilers with brake lights
Figure A applies only to 855
 - Remove brake light cover (1) by clamping cover together and pulling it down and out.
 Figure B applies to 855 and V70
 - Unfasten the door opener surround by inserting a putty knife in its upper edge and breaking the surround downwards.
- 2 Applies to spoilers with brake lights
 - Insert a piece of cardboard between the panels on both sides so that the upper panel is protected.
- 3 Applies to spoilers with brake lights
Removal of tailgate panel
 - Insert your fingers between the panel and rubber moulding at the tailgate. Grasp hold of the panel. Pull backwards and downwards so that the clips come undone along the entire lower edge.
 - Bend the panel down and strike the panel edge with your hand so that it comes loose.
 - Remove the panel.
- 4 Applies to spoilers with brake lights
 - Remove the upper panel of the rear door by pulling it inwards on both sides and downwards from the upper edge.
- 5
 - Remove the screw (1) on the RH side of the tailgate. Pull side panel (3) outwards to undo the clips (2).
 - Saw off the "ear" (4) and 5 mm from the end of the panel. Deburr the edges with a file.
- 6
 - Clean fat and dirt from the hinge on both LH and RH sides using methylated spirits.
 - Install the transparent tape (1). Secure using a wooden spatula.

- 7 Applies to cars with chassis number up to and including 2549519
NOTE! When installing bracket only one screw should be undone at a time so that the position of the tailgate does not change.
 - Remove screw (1) and replace it with a longer screw from the kit.
 - Remove screw (4).
 - Hold spacer (2) tight to the inside of the hinge.
 - Install bracket (3): LH = left hand side and RH = right hand side.
 - Replace screw (4) with a longer screw from the kit.
 - Fit nuts (5) and tighten by hand.
- 8 Applies to cars with chassis number 2549520 onwards
NOTE! When installing bracket only one screw should be undone at a time so that the position of the tailgate does not change.
 - Remove screw (1) and replace it with a longer screw from the kit.
 - Remove screw (3).
 - Install bracket (2): LH = left hand side and RH = right hand side.
 - Press the bracket upwards towards screw (1) in order to facilitate insertion of screw (3).
 - Replace screw (3) with a longer screw from the kit.
 - Fit nuts (4) and tighten by hand.
- 9
 - Install bracket (1) and loosen the screws. A=LH side and B=RH side.
- 10 Applies to spoilers with brake lights
 - Pull wire (1) through the spoiler.
 - Fit brake light (2) to the spoiler.
 - Undo cover (3).
 - Secure brake light and refit cover.
- 11
 - Clean the surface where the spoiler will be situated using methylated spirits.
- 12
 - Install screws (1) in the ends of the spoiler.
 - Hook the spoiler on the brackets.
 - Adjust the brackets so that the spoiler bears on the rear door.
 - The rear window moulding (2) should fit the recess (3) on the spoiler.
 - Tighten the screws (4) and the nut (5) on both LH and RH sides.
- 13
 - Adjust the position of the spoiler against the roof and mark with tape.
 - Remove the spoiler.
- 14
 - Remove protective film on one side of the tape pieces and fix the tape to the ends of the spoiler, see placing figure.
 - Remove protective film from the other side of the tape pieces.



- 15 - Hook the spoiler to the brackets (3) without the tape touching the rear door.
- Position the spoiler so that it runs all along the mark and secure.
 - Fit and tighten screw (1). Tighten screw (2). Do the same on both sides.
 - Check that the brackets are free when the door is shut.

- 16 Applies to V70 models that have spoilers with brake lights
- Pull the wire from the spoiler behind the hinge, through rubber grommet (1), out through rubber grommet (2) and all along the washer hose to the brake light connector.

- 17 Applies to V70 models that have spoilers with brake lights
- Undo connector (1) from the existing brake light.
 - Remove screws (2) and brake light (3).
 - Cut off the connector.

- 18 Applies to V70 models that have spoilers with brake lights
- Install cable terminals and insulation sleeves on existing wire (1) and on the spoiler wire (2). Connect black (SB) wire to black (SB) wire and red wire to grey/black (GR/SB) wire.

- 19 Applies to V70 models that have spoilers with brake lights
- Clean rear window at brake light recess.
 - Thoroughly wet the window and tape which will cover the recess.
 - Install tape over recess and press water and air bubbles out by using, for example, a plastic card.
 - Refit the brake light and loosened panels.

- 20 Applies to 855 models that have spoilers with brake lights
- Pull the wire from the spoiler behind the hinge, through rubber grommet (1) and down through the frame on the rear door to the existing brake light.

- 21 Applies to 855 models that have spoilers with brake lights
- Undo connector (1) and remove the existing brake light.
 - Cut off the cable ties and pull the wire back to the lower edge of the tailgate.

- 22 Applies to 855 models that have spoilers with brake lights
- Install cable terminals and insulating sleeves on the spoiler wire (2). Connect the spoiler wire to existing wire (1); black (SB) wire to black (SB) wire and red (R) wire to grey/black (GR/SB) wire.
 - Clamp the wires using a cable tie in the rear door.

- 23 Applies to 855 models that have spoilers with brake lights
- Cut off the fastener (1) as far down towards the attachment point as possible.
 - Refit loosened panels on the rear door.
 - Fit a new cover to the upper edge of the panel.

- 24 Applies to 855 models that have spoilers with brake lights
- Raise the floor hatch and remove the side hatch.

- 25 Applies to 855 models that have spoilers with brake lights
- Remove filament failure sensor (1) from member.
 - Undo filament failure sensor from connector (2) and connect a new filament failure sensor.
 - Refit side hatch and lower floor hatch.

Preliminary Paint Advise for ABS Spoilers for the Aftermarket.

Common procedure for painting accesories in local paint shops is:

1. Cleaning
2. Adhesion Promotor
3. Primer + curing
4. Sanding
5. Topcoat Unicolor or Basecoat/Clearcoat + curing

The same procedure will be probably succesful for the ABS spoilers as well.

An AKZO paintsystem following this route is:

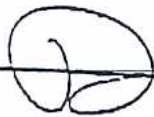
1. M600 cleaning
2. Plastoflex 1K adhesion promotor
3. Autocryl 3+1 primer, curing overnight or accelerated curing 30 min. 60 °C
4. Sanding by hand paper P400
5. Autocryl topcoat or Autobase metallic + autoclear, curing 40 min. 60 °C

A Herberts/Standox system following this route is:

1. Cleaning with thinner 11100
2. Standoflex 1K Plastic Filler
3. Standox 2K Non Stop Fill Primer, Curing 30 min. 60 °C
4. Sanding by hand paper P400
5. Standox 2K Standocryl + 30% elastic additive, curing 30 min. 60 °C

I hope this will satisfy your immediate needs, both system will be put on test.
with regards.

GE Palastics Europe BV



D.A. Noordegraaf
Plasticslaan 1
4600 AC Bergen op Zoom
The Netherlands
Tel. +int 31 164031391
Fax +int 31 164032327