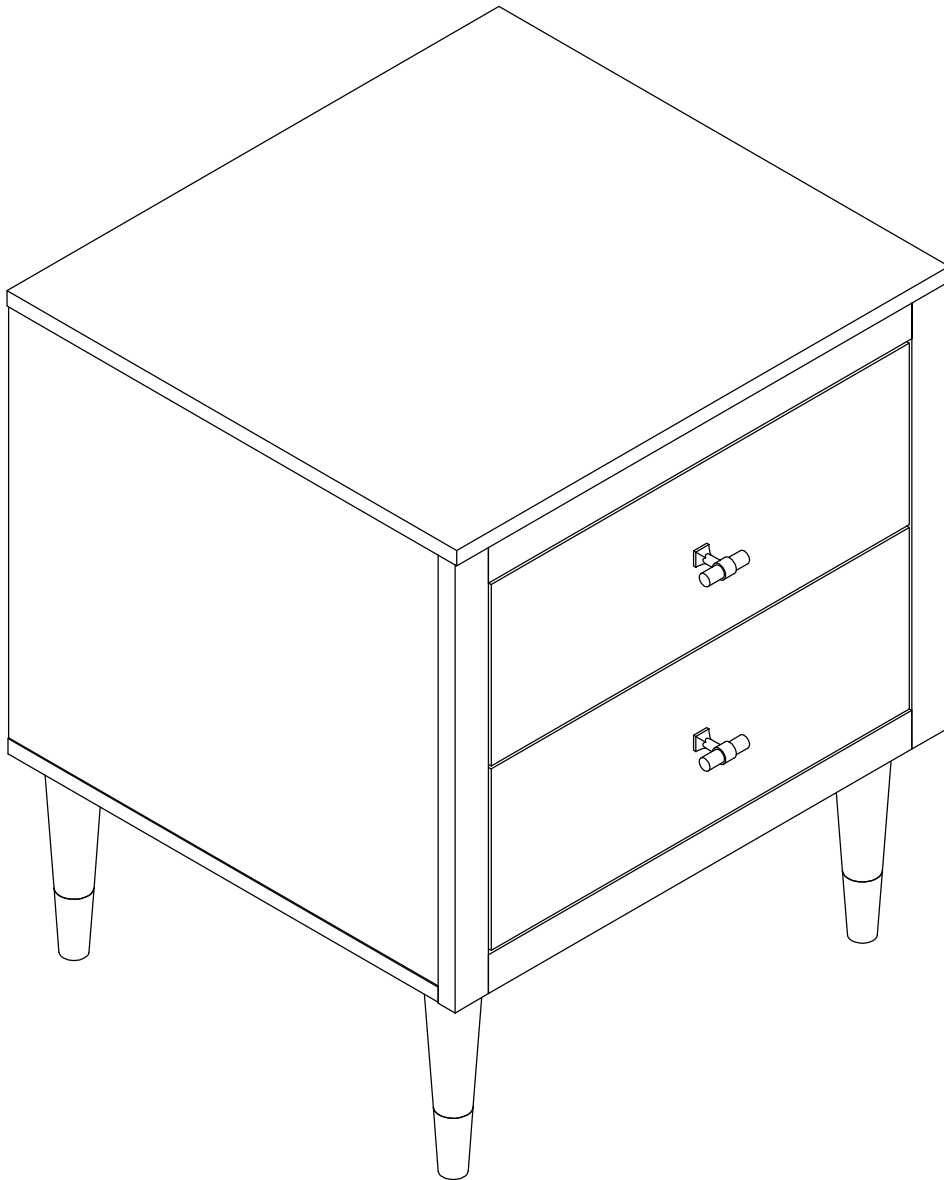


MANHATTAN
COMFORT

ASSEMBLY GUIDE
NS-CHKD02



V.10102022

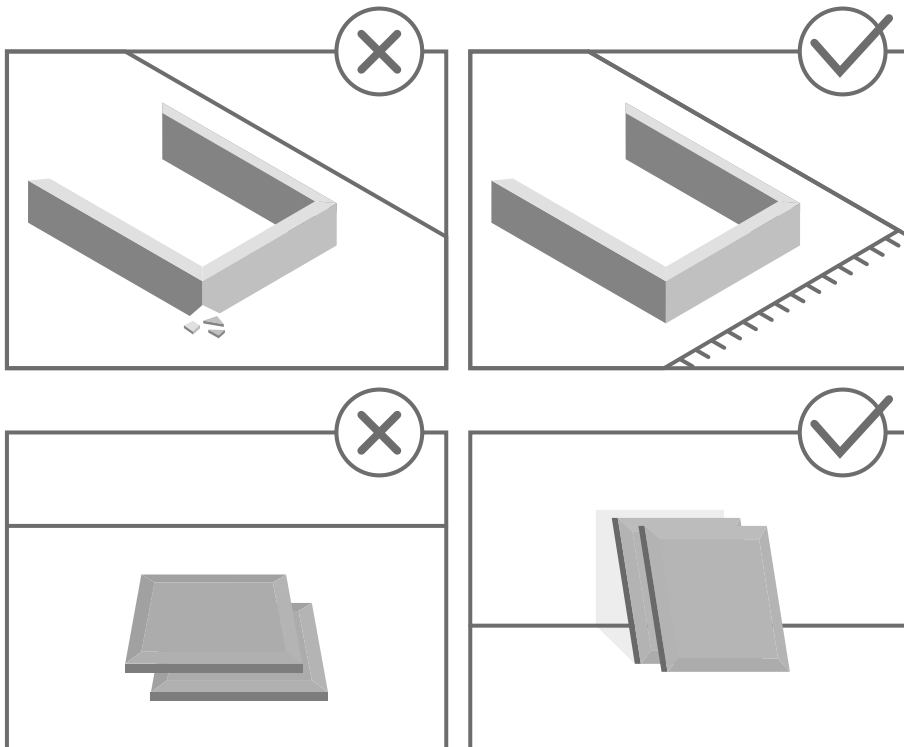


STOP!

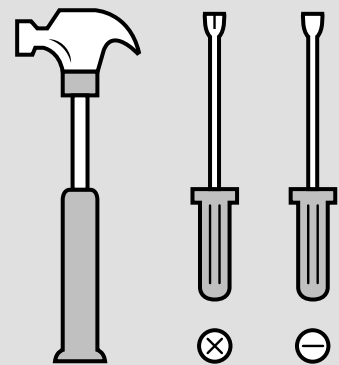
Before beginning the assembly process, ensure all boxes and parts have been delivered.

FOR BEST RESULTS:

- Do not throw away packaging materials until assembly is complete.
- Assemble item on a soft surface, such as cardboard or carpet, to protect finish.
- Proper assembly requires two people.



TOOLS REQUIRED



View our assembly video online:
WWW.MANHATTANCOMFORT.COM

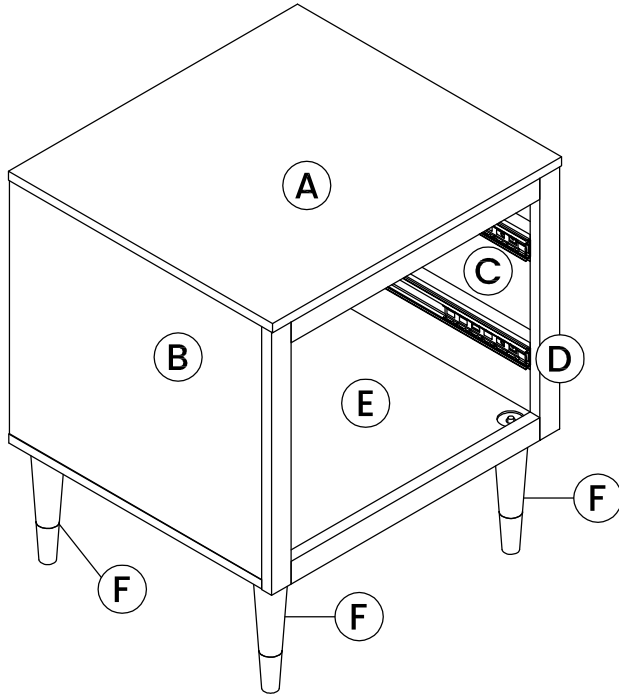


Stuck? Question? We are here to help.
tel: **908-888-0818**
e-mail: help@manhattancomfort.com

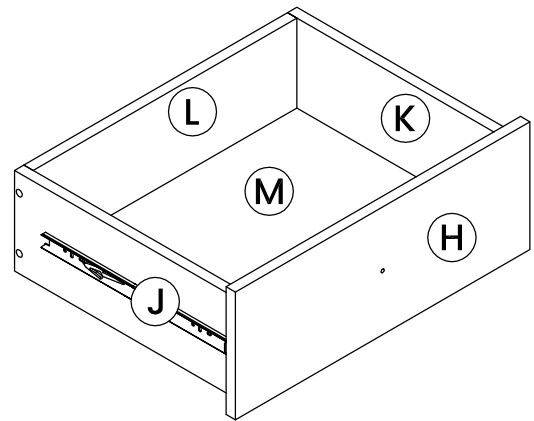
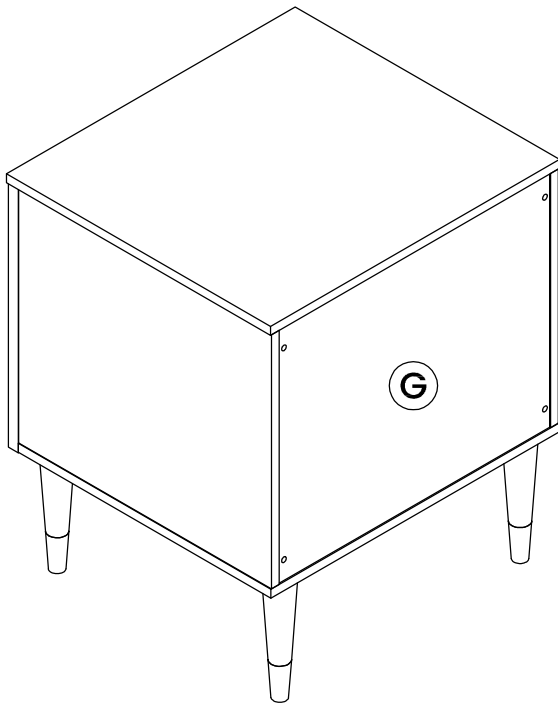
SUPPORT SITE



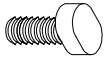
Included in this package:



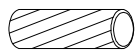
A. Top Panel	x1
B. Side Panel - Left	x1
C. Side Panel - Right	x1
D. Front Frame	x1
E. Bottom panel	x1
F. Legs	x4
G. Back Panel	x1
H. Drawer Front Panel	x2
J. Drawer Left Panel	x2
K. Drawer Right Panel	x2
L. Drawer Back Panel	x2
M. Drawer Bottom Panel	x2



Included in this package:



#1 x 12



#2 x 2



#3 x 2



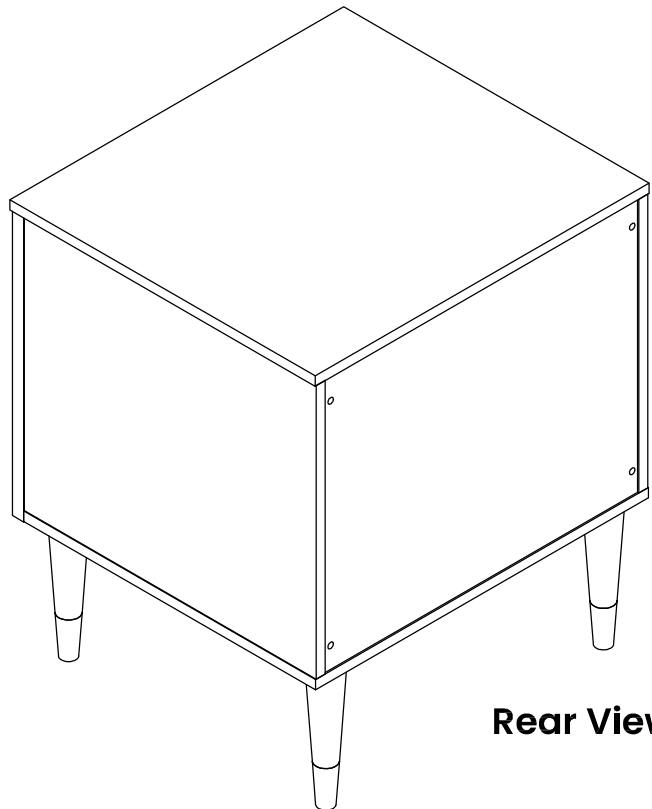
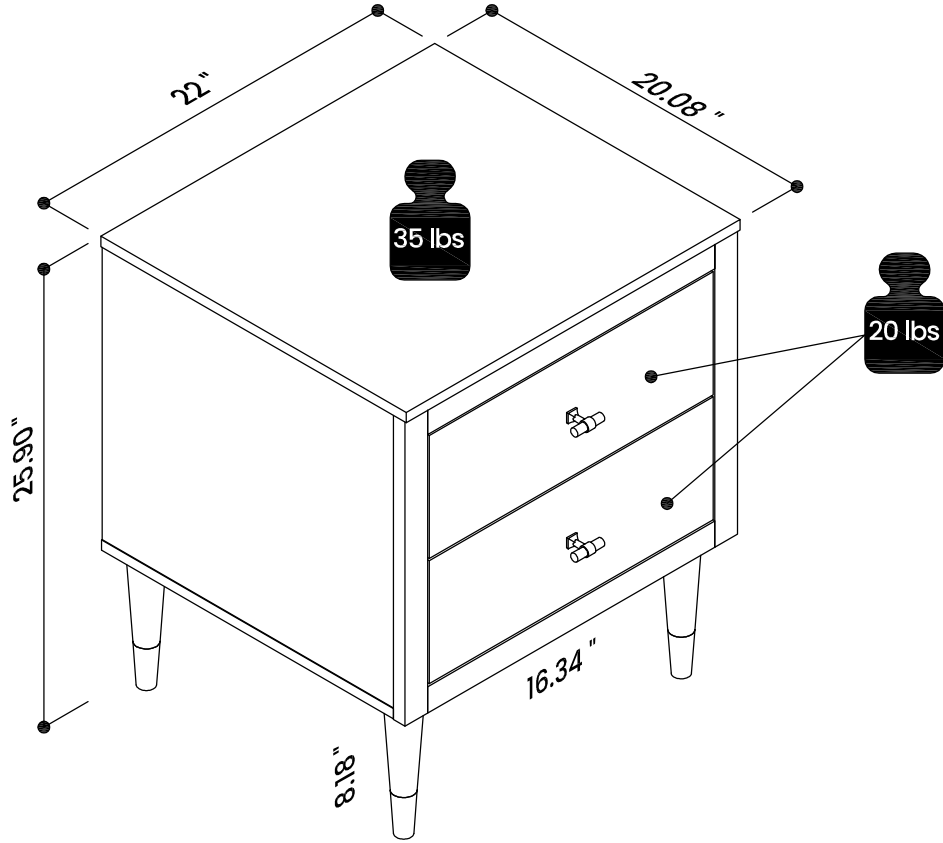
#4 x 2

WHERE TO FIND THE ITEMS:

Box 1

A	G	#1
B	H	#2
C	J	#3
D	K	#4
E	L	
F	M	

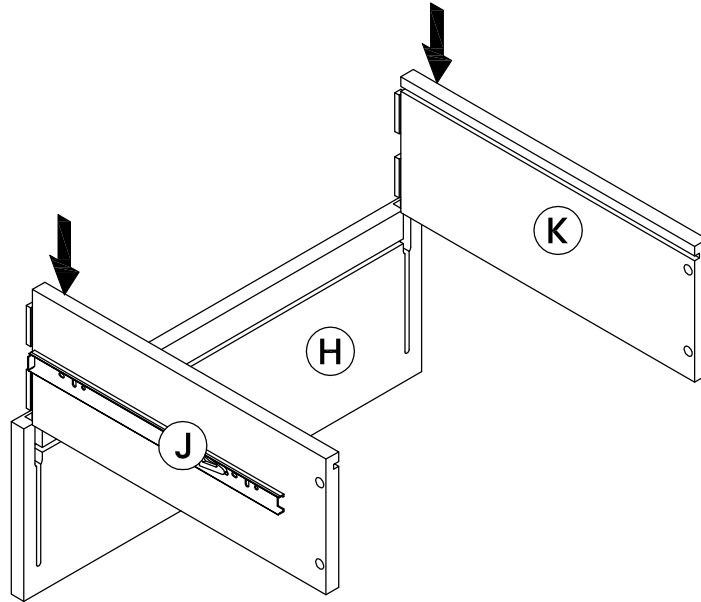
Weight capacity:



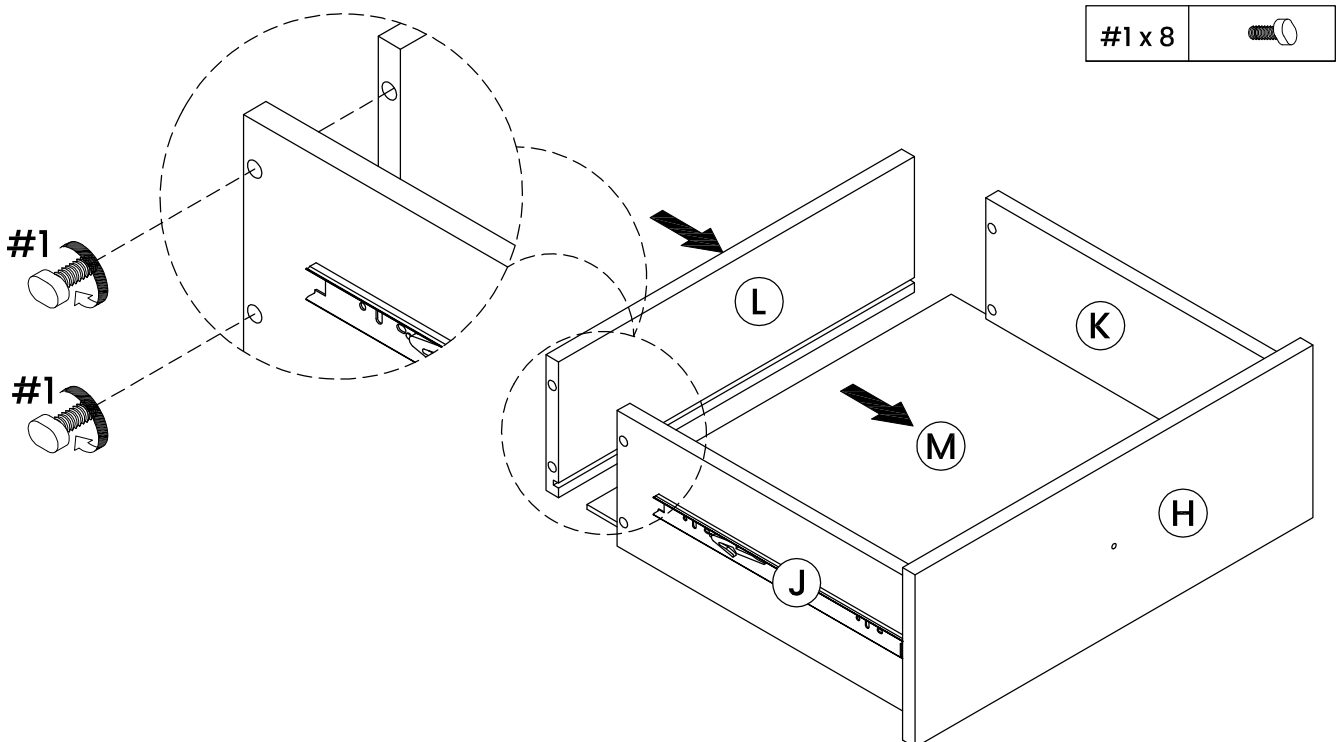
Rear View

STEP 1.

Turn over the drawer front panel, then align the hardware on the L/R Drawer Sides (Part J & K) with the hardware on the Drawer Front (Part H) making sure that the grooves on the drawer sides are facing in and at the bottom of the drawer. Also ensure the the drawer glides are facing out.

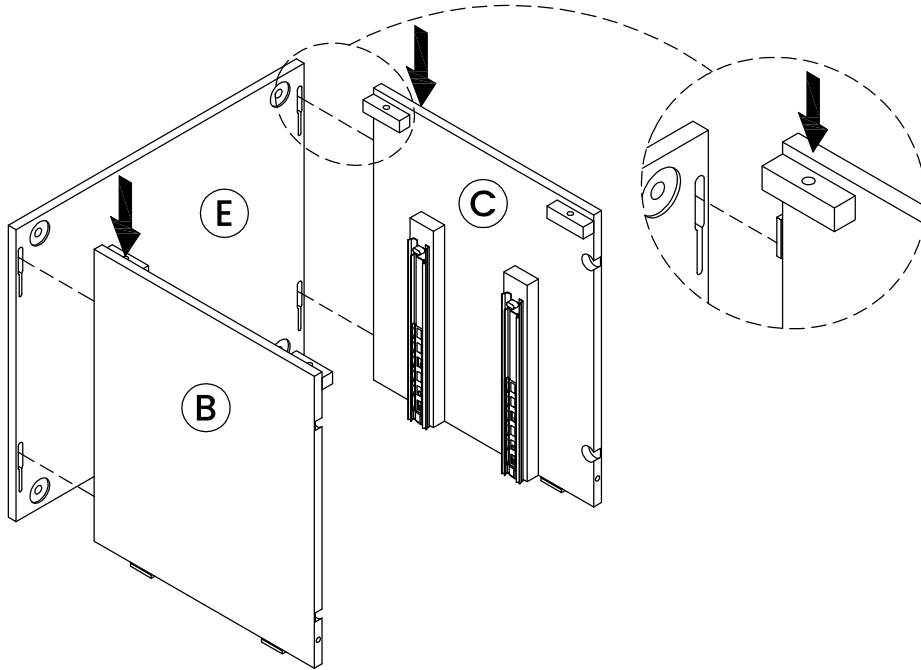
**STEP 2.**

Insert the Drawer Bottom (Part M) into the grooves in the side panels and press forward until the front edge goes completely into the groove in the drawer front. Add the Back Panel (Part L) making sure the bottom panel insert completely into the groove. Insert Bolts (#1) and turn clockwise to tighten completely.

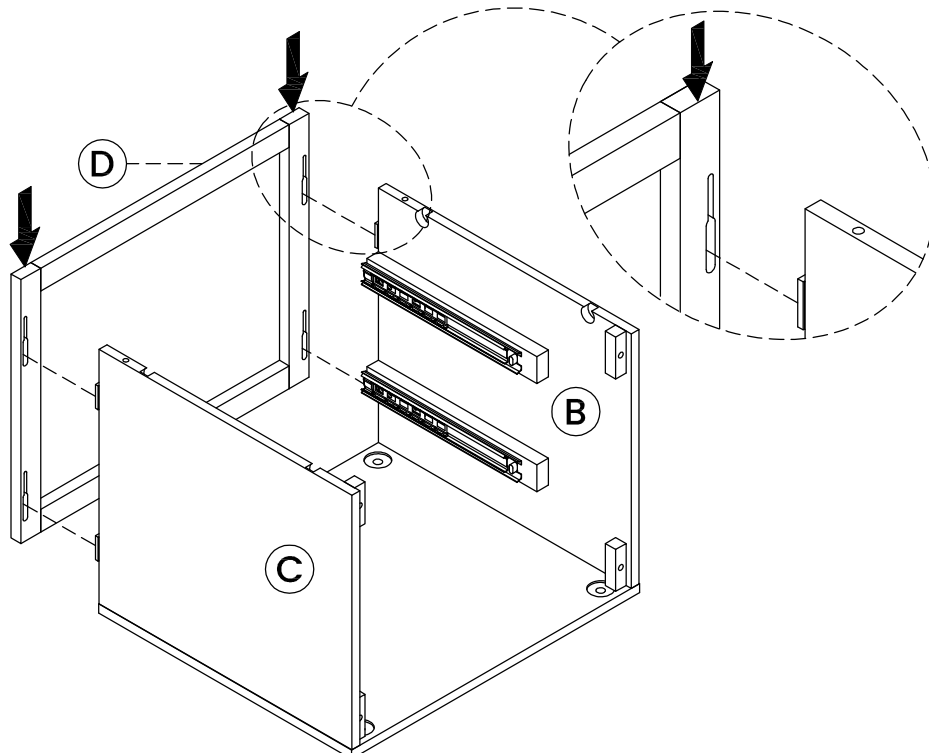


STEP 3.

Place the Bottom Panel (Part E) on a soft dry surface in vertical direction . With the grooves and hardware facing in, insert the Left & Right Side Frames (Parts B & C) into the bottom panel and slide forward to secure in place. For best results turn the cabinet forward onto its face and press down on the Side Panels (Parts B&C). Make sure that the grooves are all aligned.

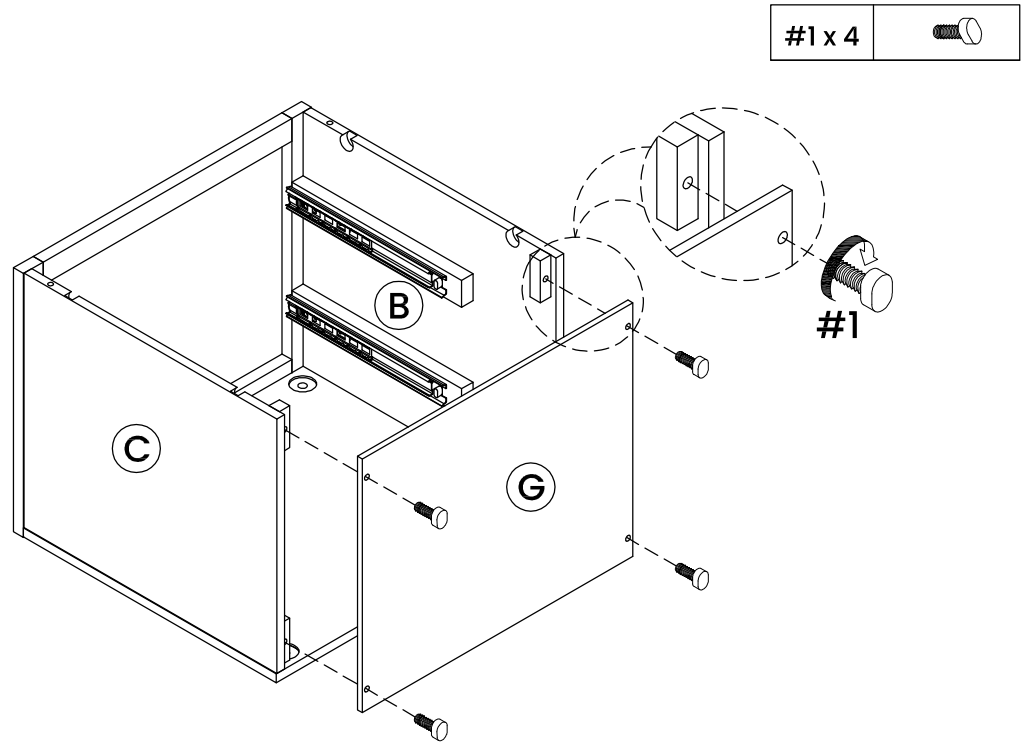
**STEP 4.**

Insert the Front Frame (Part D) into the L/R Side Panels (Parts B&C). For best results, press up on (Part D) Front Frame to secure them into place.

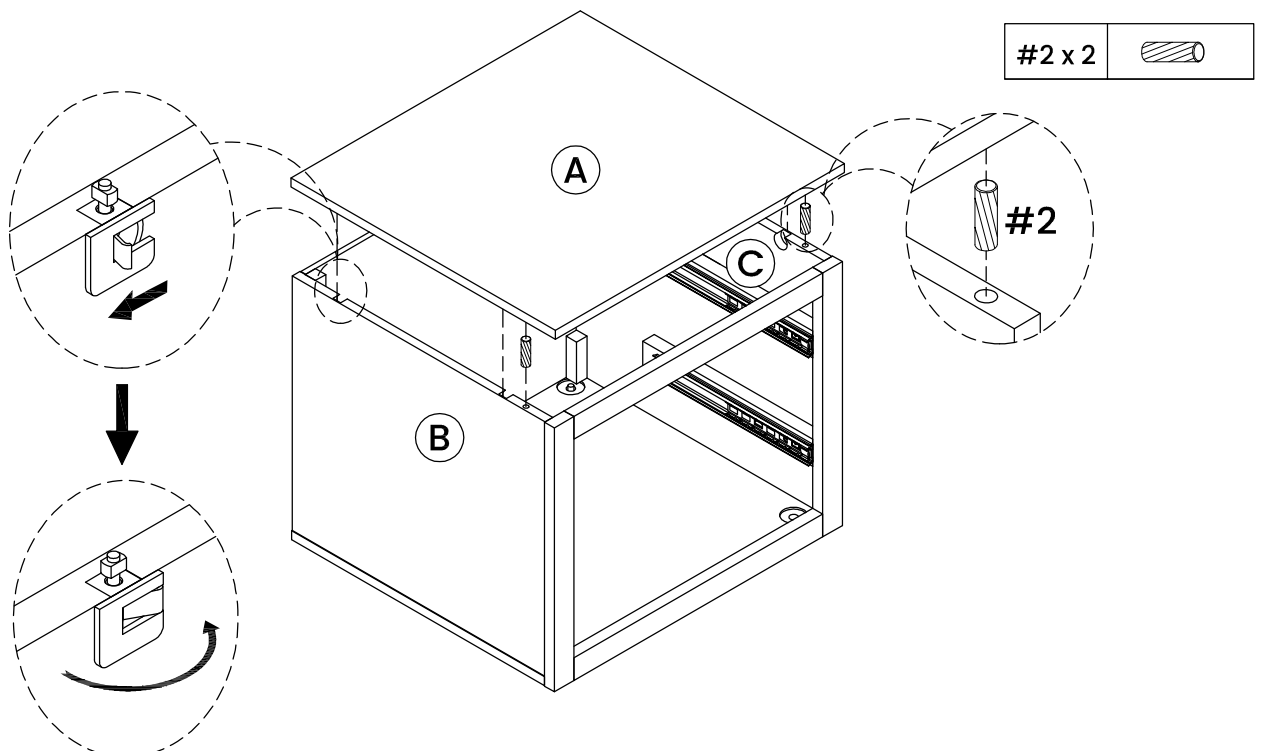


STEP 5.

Use the bolt(#1)to fix the back panel (Part G) to the side panel (Part C & B) in the clockwise direction.

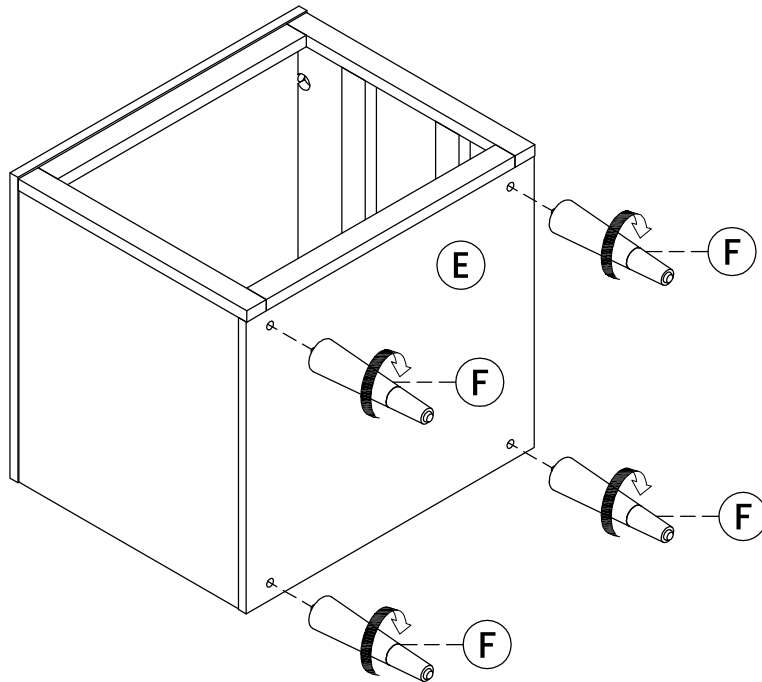
**STEP 6.**

Insert the dowel(#2) into the predrilled hole on the side panel . Make sure that the switch locking hardware in (Parts B & C) are in the open position as indicated by the straight arrow in the diagram below. Align the hardware in the Top Panel (Part A) with the switch hardware in the side and back panels and lower it into place. Making sure that the hardware is completely inserted into the top turn the switches to secure it into place as indicated by the curved arrow below.

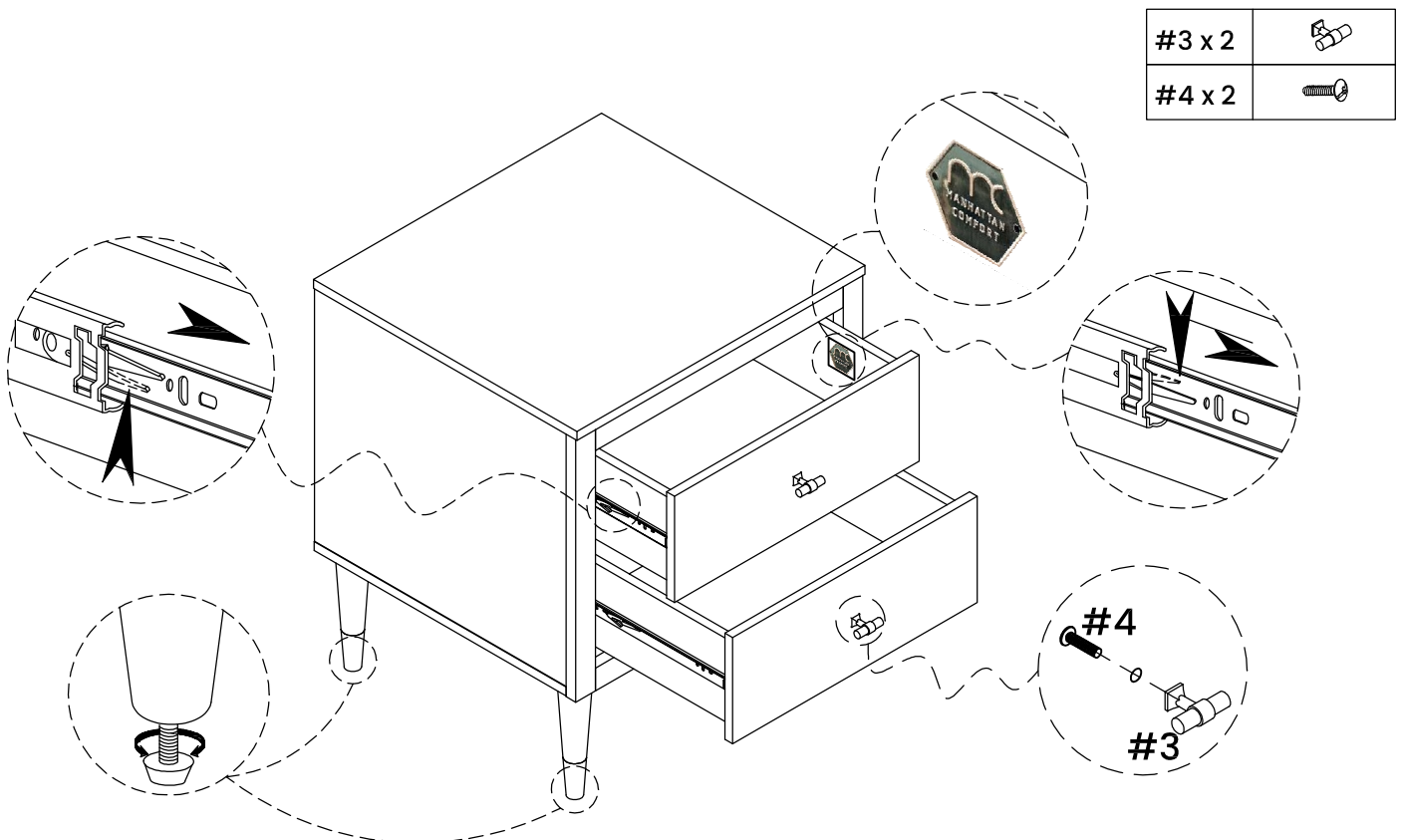


STEP 7.

Lay down the total frame on a soft floor, screw the 4 Legs (Part F) into the bottom of the frame in the clockwise direction.

**STEP 8.**

Insert the bolt (#4) into the hole from the back side of the drawer front. Add the Handle (#3). Use a Phillips head screwdriver to tighten the bolt by turning clockwise. do not turn the handle itself to tighten. you will scratch the drawer front if you do. Align the drawer glides with those in the cabinet and press forward. Open and close the drawer to get a smooth glide.





MANHATTAN
COMFORT

WARRANTY POLICY

All Manhattan Comfort furniture products are warranted, to the original purchaser at the time of purchase and for a period of 30 days thereafter.

Our warranty is limited to new products purchased in factory sealed cartons. This warranty is valid in the United States of America and Canada.

In order to provide you with timely assistance, please thoroughly inspect your furniture for missing or defective parts immediately after opening the carton.

Manhattan Comfort offers a 30-day parts replacement warranty on all items.

Our furniture products are not intended for outdoor use.

THE WARRANTY DOES NOT COVER:

- Defects/damages by improper assembly or disassembly.
- Defects/damages caused by shipping. Claims for damage during transit should be placed immediately to the transportation company.
- Defects/damages caused by inappropriate use of the furniture.



319 Ridge Rd. Dayton, NJ 08810

908-888-0818