



Silver Plus Series Slimline Parking Light

60w, 90w,
120w & 150w

DESCRIPTION:

Touch-Plate's Parking Lights were designed to offer better security, more lumens, and higher cost savings. Using up to 70% less power over traditional metal halide or high pressure sodium lighting, our LEDs are optimal for retrofit installations or new construction installations.

PRODUCT FEATURES:

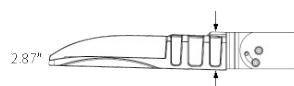
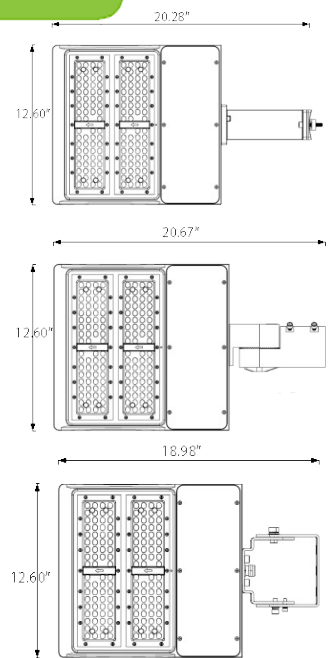
- Die - cast aluminum housing
- Cooling heatsink fins
- Multiple mounting options
- Lifetime of 50,000 hrs or greater
- UL Listed (E468128)
- DLC Listed
 - 60w (SNC-S60SST3)
 - 90w (SNC-S90SST3)
 - 120w (SNC-S120SST3)
 - 150w (SNC-S150SST3 - 120-277v) (SNC-S150HVT3 - 480v)
- 5 Year Limited Warranty

SPECIFICATIONS:

- Wattage: 60w, 90w, 120w & 150w
- Lumens: 8,700/13,000/16,000/19,400 (approx > 145lm/w)
- Equivalence: 100w, 200w, 300w & 400w HID/HPS/MH
- IP Rating: IP65
- LED Chips: Lumileds 3030
- PF: >0.90

PHYSICAL PARAMETERS:

- Direct Mount Dimensions
 - Length: 20.28"
- Slip Fit Dimensions
 - Length: 20.67"
- Trun [a] ? ag f Dimensions
 - Length: #* Zt *"
- Weight
 - #&P% lbs ((0w)
 - #&Z" lbs (+0w)
 - 14.90lb (120w)
 - 15.40lb (150w)



4822 Projects Drive Fort Wayne, IN 46825

P: 260.426.1565

E: ledsales@touchplate.com

www.ledlightingandcontrols.com



Silver Plus Series Slimline Parking Light

Ordering Guide

LED Type XXX-	Lumens - Wattage XXX-XXX-	CCT XX-	Voltage X-	Color X	Mounting Style X
<ul style="list-style-type: none"> PSL Parking Slim 	<ul style="list-style-type: none"> 087-060 8,700lm - 60w 130-090 13,000lm - 90w 160-120 16,000lm - 120w 194-150 19,400lm - 150w 	<ul style="list-style-type: none"> 30 3000k 40 4000k 50 5000k 	<ul style="list-style-type: none"> U 120-277v I 200-480v 	<ul style="list-style-type: none"> B Black Z Bronze G Gray W White 	<ul style="list-style-type: none"> D Direct Mount F Slip-Fit T Trunnion

Additional Ordering Options

(specified at time of order)

Beam Angle

- Type III (Standard)
- Type IV
- Type V

Accessories

(specified at time of order)

- Photocell Control (120-277v)
- Photocell Control (480v)
- Short Cap
- Surge Protection

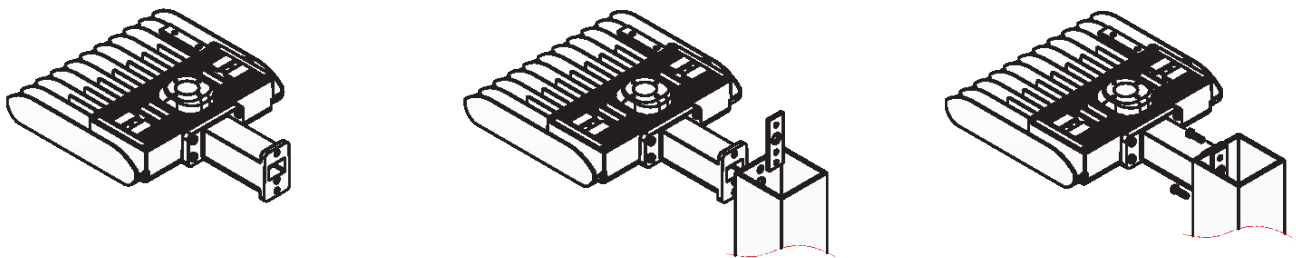
Silver Plus Series Slimline Parking Light

This product must be installed in accordance with National Electrical Code(NEC) and/or applicable local codes, by a qualified electrician.

DANGER - RISK OF SHOCK - DISCONNECT POWER BEFORE INSTALLATION

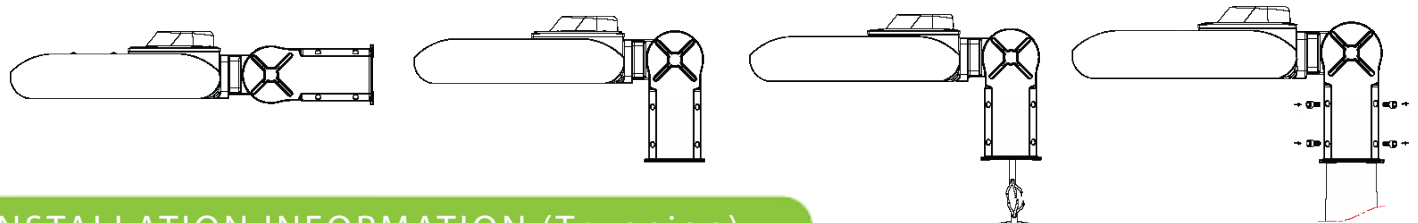
INSTALLATION INFORMATION (Direct)

- Line up the plate inside of the post with the LED fixture. Using the two screws, affix the fixture to the post.
- Make the wiring connections: Black/Brown (Line), White/Blue (Neutral), & Green/Yellow or Green (Ground).



INSTALLATION INFORMATION (Slip Fit)

- Turn the slip fit to a 90° angle.
- Make the wiring connections: Black/Brown (Line), White/Blue (Neutral), & Green/Yellow or Green (Ground).
- Slip the fixture onto the post and then secure the fixture with the 4 screws to the post.
- Turn the slip fit to the correct angle.
- Slip the fixture onto the post and then secure the fixture with the 4 screws to the post.



INSTALLATION INFORMATION (Trunnion)

- Place the screws from the wall out so the fixture can mount to them.
- Make the wiring connections: Black/Brown (Line), White/Blue (Neutral), & Green/Yellow or Green (Ground).
- Slip the fixture onto the screws and then secure the fixture with nuts.

