

GALASSIA 45 VAR

HEAVY DUTY 64 LITRE SPIRAL DOUGH MIXER (VARIABLE SPEED)

4IM4004



GALASSIA 45 VAR 45KG FIXED HEAD/FIXED BOWL DOUGH MIXER

The Galassia range of spiral kneading machines are exceptionally built and engineered. Since 1977, they have earned a reputation for their robust and simple design that exceeds the demands of the modern pizzeria and baker.

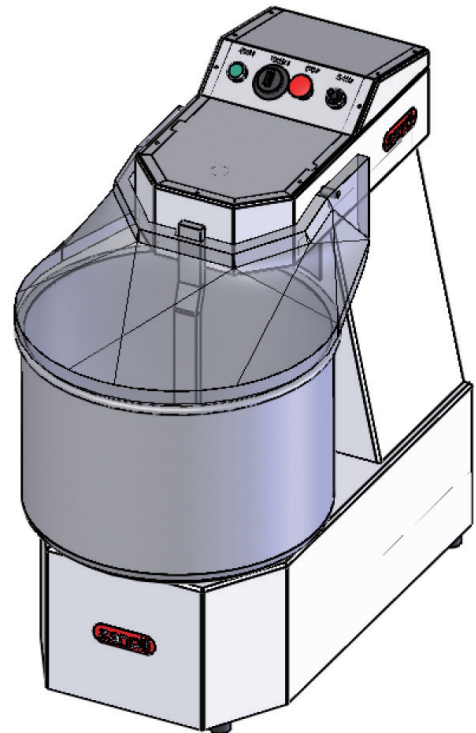
Fitted with a stainless steel spiral, resistant to even the most strenuous forces and a heavy gauge stainless steel rotating bowl, it powers through the toughest mixes to produce soft and oxygenated dough that prides the highest of traditions.

The Galassia 45 VAR is capable of kneading up to 45kg of dough at any given time. Given its variable speed operation and it can also effectively knead a wider range of doughs with precision and versatility.

Built with a superior chain transmission for a long lasting work life, it is also constructed with multiple reinforced spiral hook chain drives that guarantee superior performance and strength under resistance. The Galassia spiral dough mixer range are suitable for a working dough of 55% hydration.

MAIN CHARACTERISTICS

- Spiral in stainless steel, durable and resistant to even the most strenuous forces
- Reinforced Heavy gauge stainless steel kneading bowl absorbs kneading shocks easily.
- Chain drive transmission allows for a longer life and greater durability.
- Heavy duty painted steel chassis and welded structure finished with a stainless Steel top.
- Multiple reinforced chain drives operate the spiral kneading hook providing extra needed durability and strength during the toughest mixes.
- Easy adjustment of transmission belt tensions through user friendly adjustment controls ensuring easy serviceability and access.
- Heavy duty lockable castors
- Emergency Stop Button
- Timer controlled alongside user friendly electromechanical controls.
- Variable speed operation of both the bowl and hook for the ultimate versatility.
- Powerful inverter controlled 3 phase Motor utilising a standard 240V single phase plug and play connection.
- Fixed head and fixed bowl.
- Mobile guard in clear transparent ABS allowing perfect vision and monitoring of the mix at all times.



SPECIFICATIONS

Max Dry Flour capacity	29kg
Max Finished dough capacity	45kg
Hydration Water/Flour %	55%
Bowl capacity	64 litres
Dimensions of bowl	Ø 500 x 340 h
Voltage	single -phase, 230Vac 1N 50Hz, supplied with a 10 amp plug
Power	2.2kw
Bowl speed	variable speed from 6 rpm - 19rpm
Spiral tool speed	variable speed from 47 - 158 rpm
Liftable head	No
Removable Bowl	No
Net Weight / Packing	148kg
Noise level	<70 decibel
Color	White/Stainless Steel
Warranty	2 years parts and labour

DIMENSION

Dimensions WxDxH (mm) without wheels	528 X 884 X 926
Dimensions WxDxH (mm) with wheels	528 X 884 X 1011

OPTIONS

Galassia 45 S - two speed, 3 phase 400Vac 3 50Hz	4IM4003
--	---------



Phone: 1800 183 818 Email: support@thegoodlady.com.au
Website: www.thegoodlady.com.au

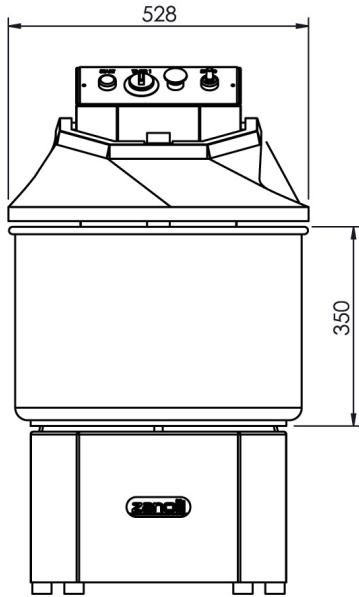
GALASSIA 45 VAR

HEAVY DUTY 64 LITRE SPIRAL DOUGH MIXER (VARIABLE SPEED)

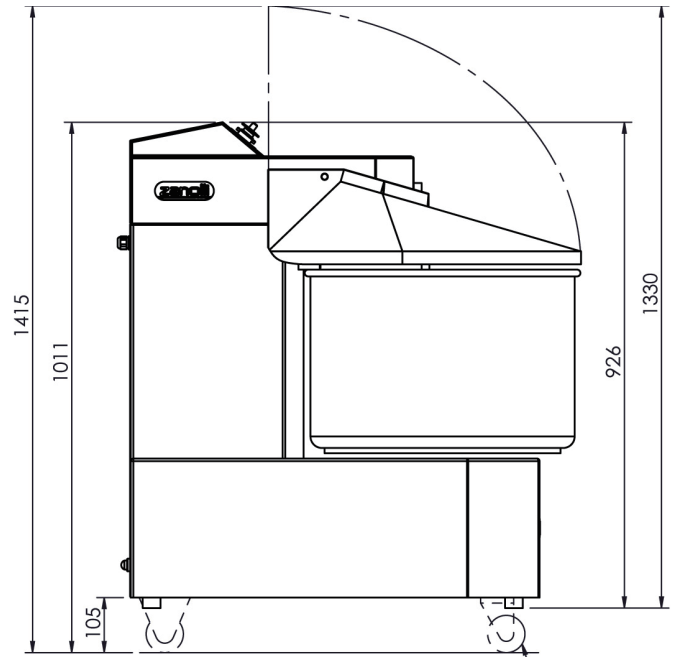
4IM4004



FRONT

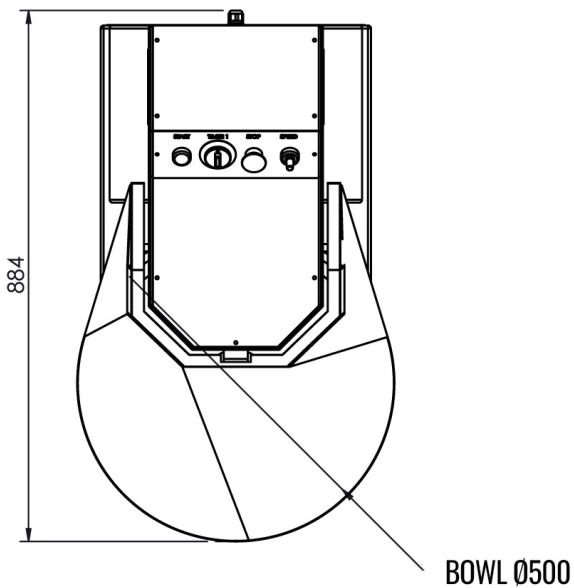


SIDE

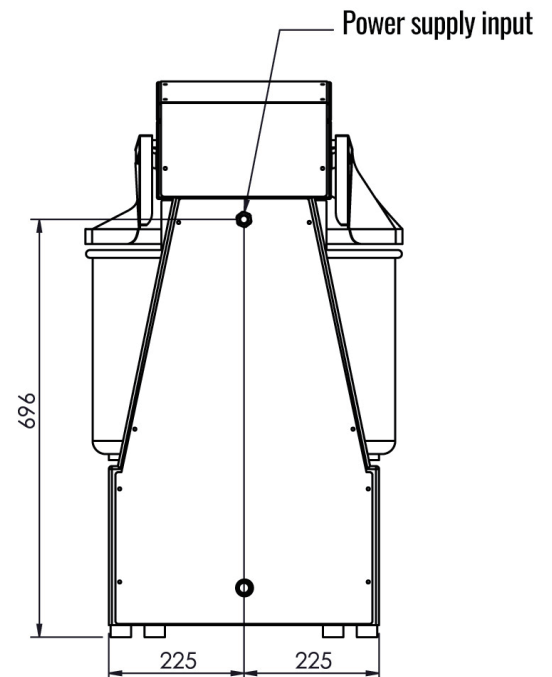


Wheel Kit: RIINT0019 (wheels without brake)

TOP



REAR



Phone: 1800 183 818 Email: support@thegoodlady.com.au
Website: www.thegoodlady.com.au