

# SYNTHESIS 11/65 ELECTRIC CONVEYOR OVEN

2SV4406A



## SPECIFICATIONS

Voltage	Trifase, 400 Vac 50-60 Hz	
	Current at 400V 3N~ 31.5 Amp	
Max Power	18500 Watts	
Weight	222 kg	
Plug Supplied	No, lead only	
Noise level	<70 Decibel	
Conveyor Width	26" 650mm	
Conveyor Length	1875mm	
Chamber Length	1100mm	
Chamber Height	100mm	
Cable Length	2m	
Time Range	2:20 minutes - 30 minutes(or complete halt)	
Thermostat	320°C	
Ambient Temp	0 - 40°C	
Max Humidity	95% Humidity without condensation	
Warranty	4 Year Warranty (2 yr Labour 4 yr Parts)	



## Main Features

- Made entirely from stainless steel
- Double glazed full width inspection door
- Easy access for thorough cleaning
- Cooling system for contact parts
- Omnidirectional wheels with breaks
- Conveyor belt with variable speed down to a complete halt
- 100 mm high cooking chamber
- Fine tuning of the ventilation flowJets of hot air completely wrap the product as it moves along the wire mesh conveyer giving an evenly cooked result time after time
- All Synthesis ovens are stackable so you can step up your productivity to meet peak demand
- Total control of Top heating % Power and Bottom Heating % Power allowing total control
- Management of 6 cooking programs: for each program you can set the cooking time, temperature and min/max adjustments to the power % of top / bottom Elements.
- Economy function keeps the oven at a lower temperature if it doesn't need to be operated at full working temperature
- Timer for programmed start, digital clock and self diagnostics

## DIMENSIONS

External Width	2000mm	Internal Width	1100mm
External Depth	1400mm	Internal Depth	650mm
External Height	550mm	Internal Height	100mm

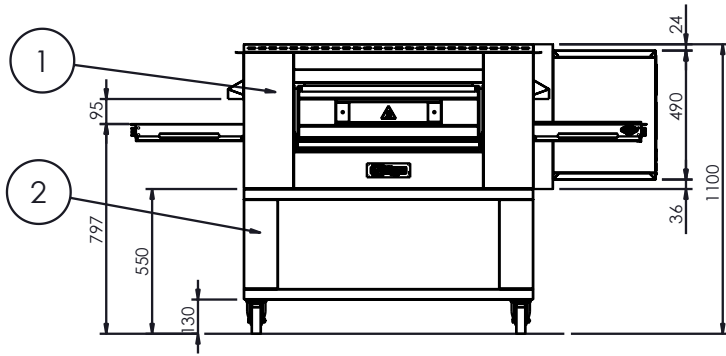


Phone: 1800 183 818 Email: support@thegoodlady.com.au  
Website: www.thegoodlady.com.au

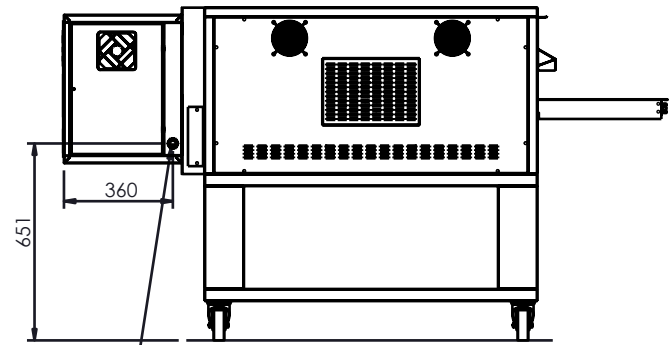
# SYNTHESIS 11/65 SINGLE STACK CONVEYOR



## FRONT



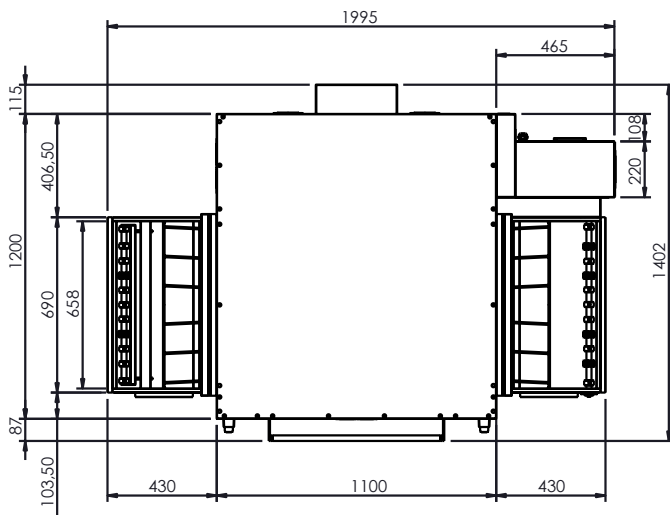
## SIDE



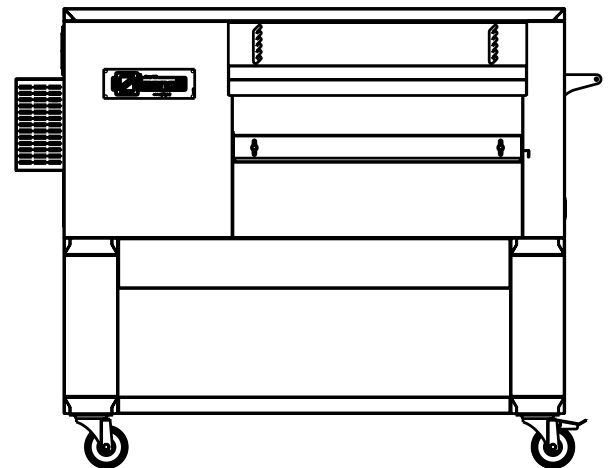
INGRESSO ALIMENTAZIONE ELETTRICA

Num. articolo	Quantità	Descrizione	Potenza
11		SYNTHESIS 11/65V EL.	18+0.81 kW
21		BASAMENTO H=550	-

## TOP



## REAR



We reserve the right to alter specifications without notice.



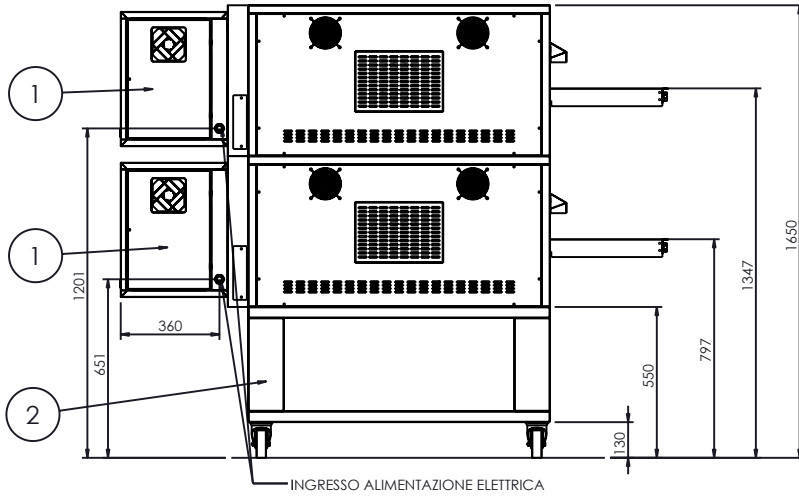
THE GOOD LADY

Phone: 1800 183 818 Email: support@thegoodlady.com.au  
Website: www.thegoodlady.com.au

# SYNTHESIS 11/65 DOUBLE STACK CONVEYOR

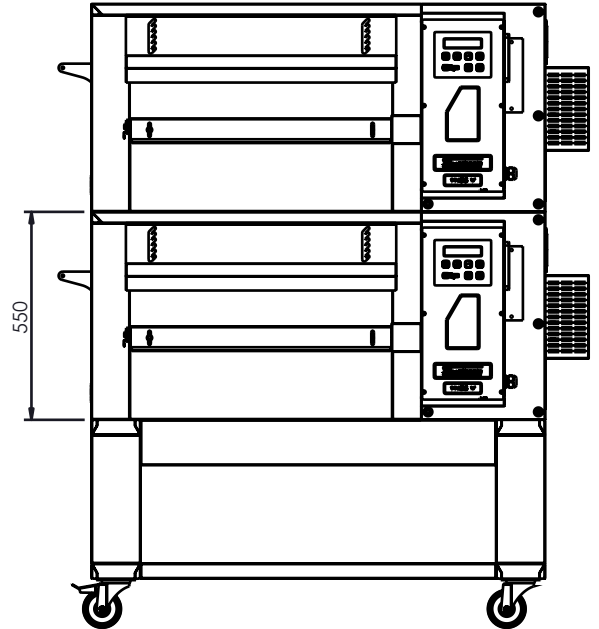


## FRONT

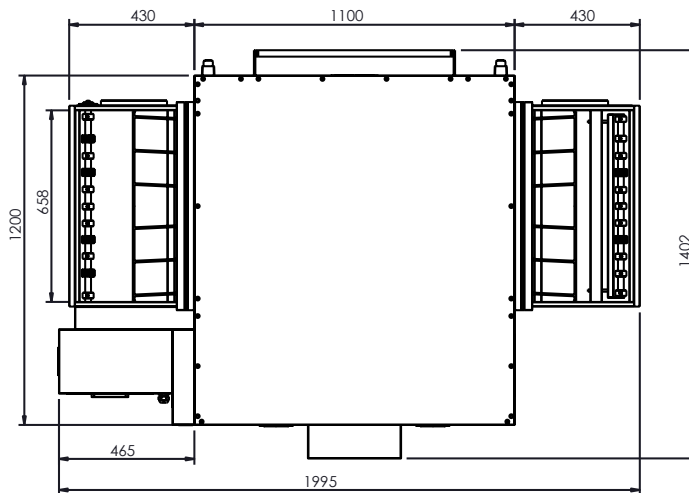


Num. articolo	Quantità	Descrizione	Potenza
12		SYNTHESIS 11/65V EL.	36+1.62 kW
21		BASAMENTO H=550	-

## SIDE



## TOP



We reserve the right to alter specifications without notice.

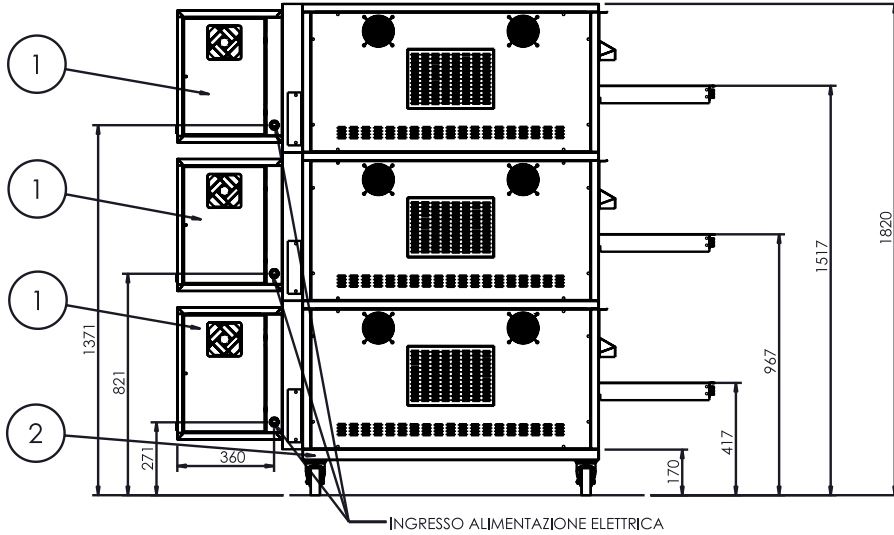


Phone: 1800 183 818 Email: [support@thegoodlady.com.au](mailto:support@thegoodlady.com.au)  
 Website: [www.thegoodlady.com.au](http://www.thegoodlady.com.au)

# SYNTHESIS 11/65 TRIPLE STACK CONVEYOR

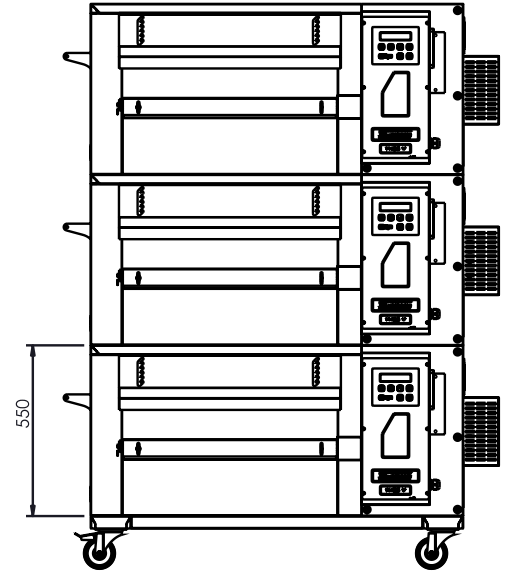


## FRONT

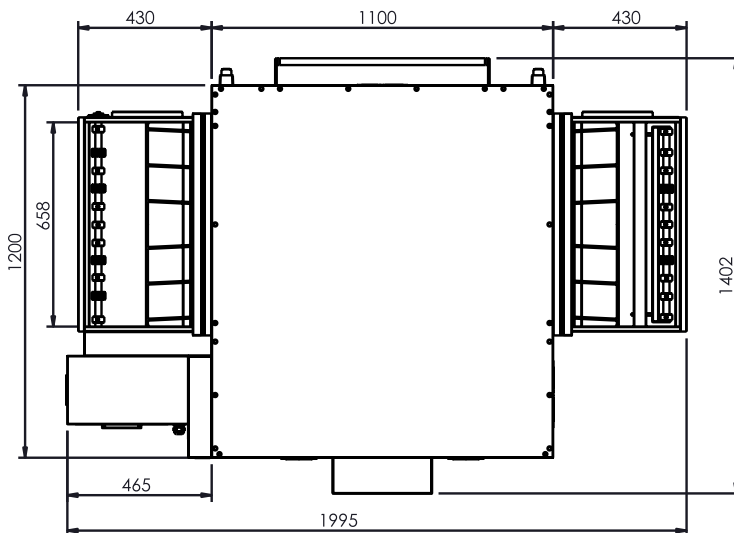


Num. articolo	Quantità	Descrizione	Potenza
1	3	SYNTHESIS 11/65V EL.	54+2.43 kW
2	1	BASAMENTO H=170	-

## SIDE



## TOP



We reserve the right to alter specifications without notice.



THE  
GOOD  
LADY

Phone: 1800 183 818 Email: support@thegoodlady.com.au  
Website: www.thegoodlady.com.au