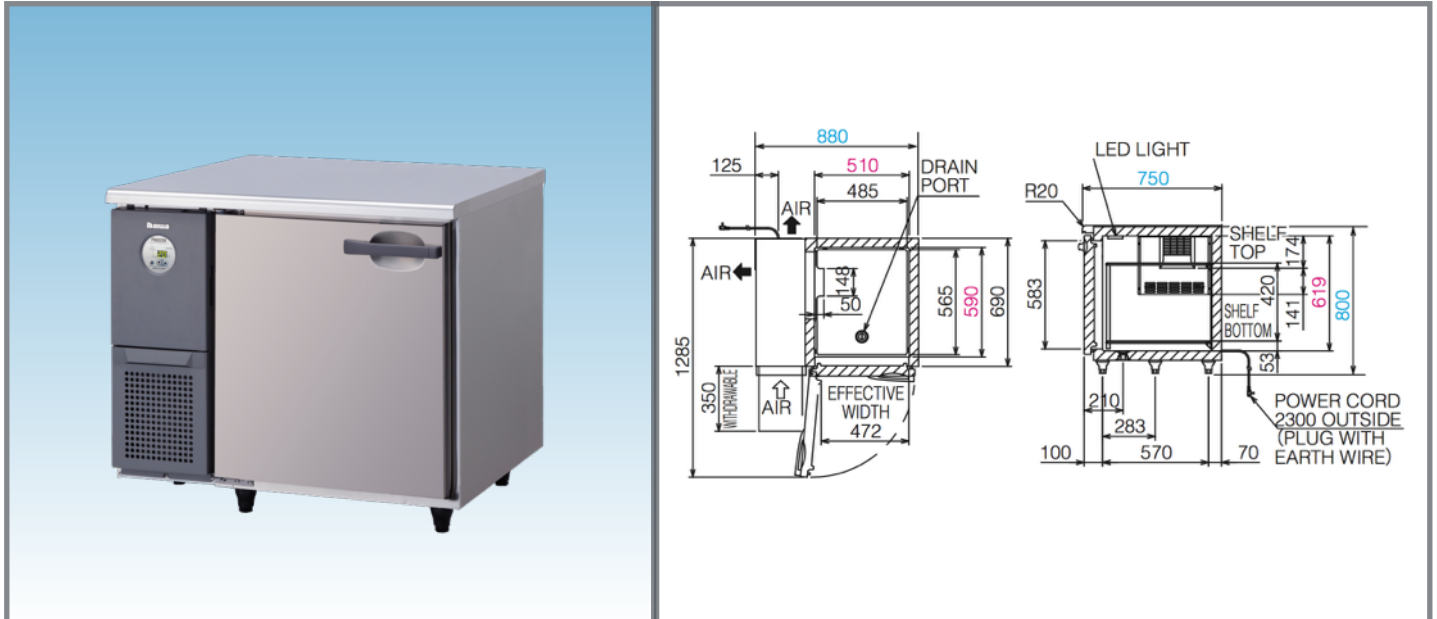


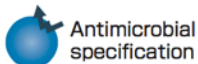
## STAINLESS STEEL UNDER COUNTER



MODEL	Volume (L)	Temperature	Dimension (mm)	Refrigerant	Power	Accessories
<b>DKR-096AH</b> (CHILLER)	153 57kg	-6 ~ +12°C	Ext: W880xD600xH800 Int: W510xD440xH619	R134a	<b>Cooling:</b> 220V / 185W (50/60Hz)	2 Shelves
<b>DKF-096AH</b> (FREEZER)	153 61kg	-25 ~ -7°C	Ext: W880xD600xH800 Int: W510xD440xH619	R404A	<b>Cooling:</b> 220V / 367W (50/60Hz)	2 Shelves
<b>DKR-097AH</b> (CHILLER)	201 62kg	-6 ~ +12°C	Ext: W880xD750xH800 Int: W510xD590xH619	R134a	<b>Cooling:</b> 220V / 185W (50/60Hz)	2 Shelves
<b>DKF-097AH</b> (FREEZER)	201 66kg	-25 ~ -7°C	Ext: W880xD750xH800 Int: W510xD590xH619	R404A	<b>Cooling:</b> 220V / 367W (50/60Hz)	2 Shelves



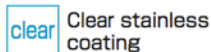
HFC Refrigerant



Antimicrobial specification



Non-Freon insulation



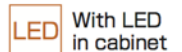
Clear stainless coating



Interior stainless



Microcomputer control and digital display



With LED in cabinet