

INDO RACK

NETWORK CABINET

www.indo-rack.com



EXCELLENT QUALITY

19" Network Cabinet Rack System

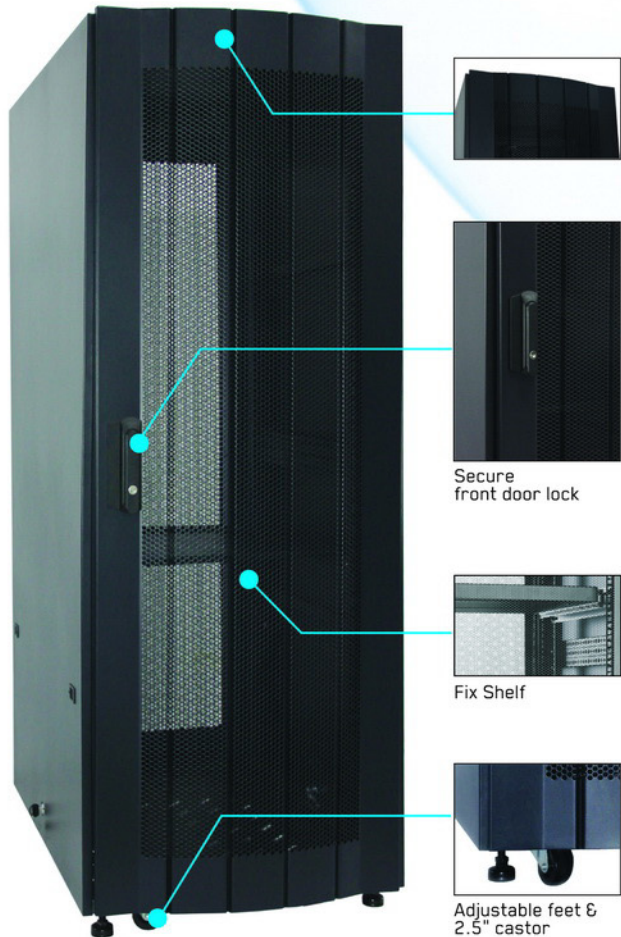
Stability and Reliability

EASY Accessibility

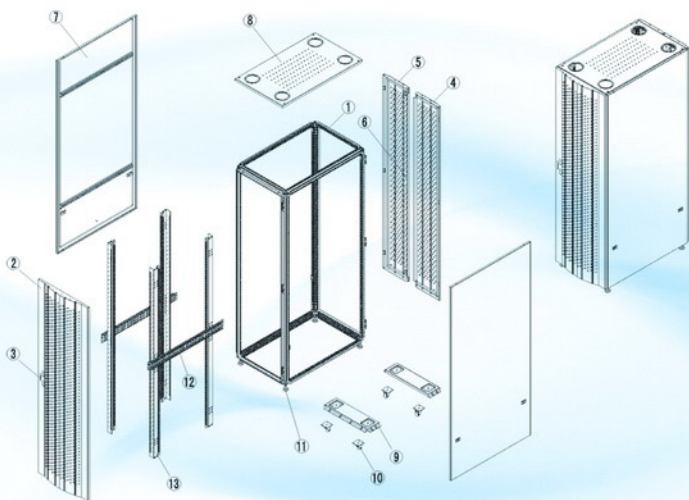
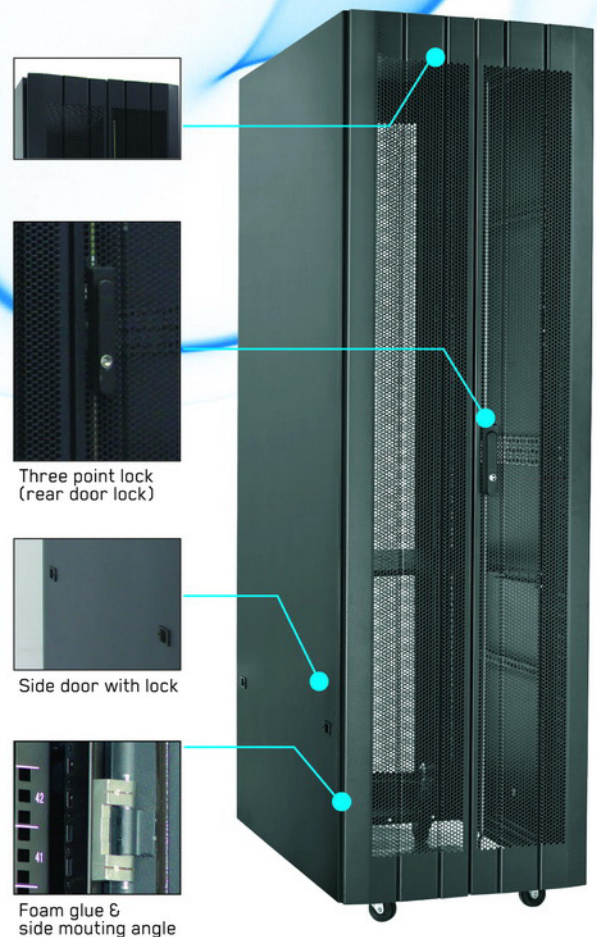
Attractive Appearance and Cost **Effectiveness**

Standing Heavy Duty CLOSE RACK

FRONT



BACK



Note :

- 1. Main Frame
- 2. Front Door
- 3. Front Door Lock
- 4. Left Rear Door
- 5. Right Rear Door
- 6. Rear Door Lock
- 7. Side Door
- 8. Top Cover
- 9. Castor Tray
- 10. Castor
- 11. Adjustable Feet
- 12. Mounting Angle
- 13. 19" Mounting Profile

1. Comply & compatible with 19" international standard, metric system & ETSI standard.
2. Frame is build up by double pipes profile & appropriate 3 tees joint for solid structure and static loading achieves to 1500kg.
3. High density vented hole front & rear door, meeting the ventilation requirements.
4. The side door easy to be installed & uninstalled quickly which make the working conveniently.
5. Included castor & adjustable feet which make the moving and fixing easily.
6. Front & rear door angle can open 130 degree with top cable entry hole with rubber cover.
7. Comfortable handle with safe lock & rear door 3-point handle lock system enlarges the security.

Standing Heavy Duty Close Rack 19" Perforated Door

Product ID	Size	Height (mm)	Width (mm)	Depth (mm)	Weight (kg)
PR09020	20U	1080	600	900	106
PR09032	32U	1690	600	900	126
PR09042	42U	2060	600	900	134
PR011520	20U	1080	600	1150	113
PR011532	32U	1690	600	1150	129
PR011542	42U	2060	600	1150	139
PR011545	45U	2200	600	1150	152

Standing CLOSE RACK 19"

GLASS DOOR

PERFORATED DOOR



1. Comply & compatible with 19" international standard, metric system & ETSI standard.
2. Reliable structure & static loading achieves up to 800kg.
3. High density vented hole front & rear door, for perforated series meeting the ventilation requirements, & international popular tempered glass front door for glass door series.
4. The side door easy to be installed and uninstalled quickly which make the working conveniently.
5. Included castor and adjustable feet which make the moving and fixing easily.
6. Comfortable handle with safe lock & rear door 3-point handle lock system enlarges the security.

Standing Close Rack 19"

Product ID	Size	Height (mm)	Width (mm)	Depth (mm)	Weight (kg)
IR9020G	20U	1080	600	900	106
IR9032G	32U	1620	600	900	126
IR9042G	42U	2070	600	900	134
IR11520G	20U	1080	600	1150	113
IR11532G	32U	1620	600	1150	129
IR11542G	42U	2070	600	1150	139
IR11545G	45U	2220	600	1150	152
IR9020P	20U	1080	600	900	106
IR9032P	32U	1620	600	900	126
IR9042P	42U	2070	600	900	134
IR11520P	20U	1080	600	1150	113
IR11532P	32U	1620	600	1150	129
IR11542P	42U	2070	600	1150	139

1U = 44.45mm

WALLMOUNT SERIES

SINGLE DOOR 19"



Type	Size	Height (mm)	Depth (mm)
WIR4508S	8U	460	450
WIR4512S	12U	660	450
WIR4515S	15U	780	450
WIR6008S	8U	460	600
WIR6012S	12U	660	600
WIR6015S	15U	780	600

Type	Size	Height (mm)	Depth (mm)
WIR5508D	8U	460	550
WIR5512D	12U	660	550
WIR5515D	15U	780	550

DOUBLE DOOR 19"



ACCESSORIES

Wire Management



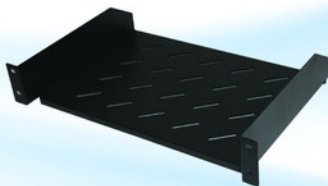
Type	H
WM01	1U
WM02	2U

Sliding Shelf



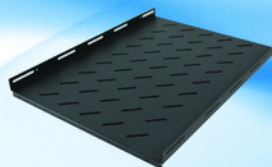
Type	H	D(mm)
SS90	1U	650
SS100	1U	760
SS90P	1U	650
SS100P	1U	760

Cantilever



Type	H	D(mm)
CS01	1U	350
CS02	2U	350
CS03	1U	550
CS04	2U	550

Fix Shelf



Type	H	D(mm)
FS90	1U	650
FS100	1U	760
FS90P	1U	650
FS100P	1U	760

PDU



Type	Outlets
PDU06GD	6
PDU06	6
PDU06E	6
PDU06M	6
PDU12G	12

Fan & Fan Plate



Type	Qty
F01	1 Fan
F02	2 Fan
F04	4 Fan

Castor & Adjustable Feet



Type	Qty
CS01	4pcs
AF01	4pcs

Screws & Cage Nuts



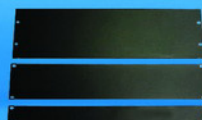
Type	Qty
M6	1 Set

Vertical Cable Management



Type	H
VWM01	20U
VWM02	32U
VWM03	42U
VWM04	45U

Blank Panel



Type	H
BP01	1U
BP02	2U
BP04	4U