

# ZANOLLI CITIZEN PW 6+6/MC EM

DOUBLE DECK ELECTRIC OVEN WITH STONE BASE, 12 X 34CM (6 + 6) CAPACITY

2CT3E09B



## ZANOLLI CITIZEN PW SERIES ELECTRIC DECK OVEN

The Zanolli citizen PW electric deck ovens are engineered to withstand the highest demands from the pizzeria without any compromise on consistent and desired cooking results. Its heavy gauge chassis along with its robust stainless steel construction ensures this oven will serve the test of time. The citizen is also completely modular so you can build up your oven according to your production needs with the possibility to stack up to 3 units. Based on your specialization, you can cook not only different kinds of pizza (round, on the shovel or in pan...) but also a wide range of gastronomy dishes made possible by the accurate and adjustable independent control of the top and bottom resistors. Utilising the maximum oven insulation along with its thick refractory stone floor(s), the citizen produces a stable and consistent cooking environment to produce perfect results and leading thermal efficiency.

### MAIN CHARACTERISTICS

- Athermic full length stainless steel handle
- Armoured stainless steel heating elements, optimized to compensate for heat loss due to door opening
- Independent lighting in each chamber
- Thick heat absorbent refractory ceramic oven floor
- Maximum insulation of the oven chambers for excellent consumption production ratio
- Made entirely of stainless steel
- Heavy duty spring mounted doors with large viewing window in double fireproof glass.
- Manual exhaust valve
- Accommodates 12 x 34cm Pizzas (6 + 6)
- Electromechanical control panel with digital display.
- Resistors at the top and bottom of each chamber, adjustable independently.
- Completely Modular - Stackable up to 3 units high



\*Picture shown with optional exhaust canopy and proving cabinet.

### DIMENSIONS

|  |                  |
|--|------------------|
| External dimensions WxDxH (mm)                         | 1420 X 960 X 960 |
| Internal dimensions (standard refractory) WxDxH (mm)   | 1080 X 700 X 155 |
| Internal dimensions (All refractory option) WxDxH (mm) | 1080 X 700 X 150 |

### OPTIONS

|  |          |
|--|----------|
| CITIZEN PW 6 / TP - Exhaust top with fitting for natural draft | OCT7M22  |
| Exhaust Motor kit top with forced suction (capacity 600 m3/h)  | ASSM2608 |
| Full refractory lining for baking chamber (per deck)           | ASSM1652 |
| Kit of enhanced heating elements (8.8kw to 13.2 kw) per deck   | ASSM2158 |
| CITIZEN PW 6 /BM 95 - Double stand - 1420 x 910 x 950          | OCT5A24  |
| CITIZEN PW 6 /BM 71 - Triple stand - 1420 x 910 x 710          | OCT5A25  |
| CITIZEN PW 6 /CL 95- Prover - 1420 x 910 x 950                 | OCT5C16  |

### SPECIFICATIONS

|  |   |
|--|---|
| Capacity (pizzas Ø34cm)                    | 12 (6 + 6)  |
| Voltage / Electrical Supply (three phase)  | three -phase 400Vac 3N 50Hz, supplied with no plug, lead only   |
| Current                                    | 26 amps at 400Vac 3-N 50Hz                                      |
| Voltage / Electrical Supply (single phase) | single -phase 230Vac 1-N 50Hz, supplied with no plug, lead only |
| Current                                    | 2 x 38.3 amps at 230Vac 1-N 50Hz                                |
| Total power                                | 17.6kw (8.8 + 8.8)  |
| Average Power                              | 9.2kw (4.6 + 4.6)   |
| Chambers                                   | 2   |
| Cooking Chamber light type                 | Halogen   |
| Cooking Chamber light power                | 50 watts  |
| Temp Control                               | Electronic thermostat   |
| Max temp                                   | 400 °C  |
| Power control                              | separate for oven roof and bedplate                             |
| Weight                                     | 260 kg  |
| Ambient Temperature                        | 0-40 °C   |
| Maximum humidity                           | 95% without condensation  |
| Warranty                                   | 4 year parts 2 years Labour                                     |



Phone: 1800 183 818 Email: support@thegoodlady.com.au  
Website: www.thegoodlady.com.au

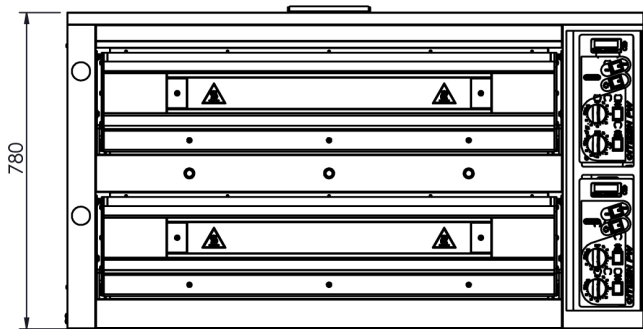
# ZANOLLI CITIZEN PW 6+6/MC EM

DOUBLE DECK ELECTRIC OVEN WITH STONE BASE, 12 X 34CM (6 + 6) CAPACITY

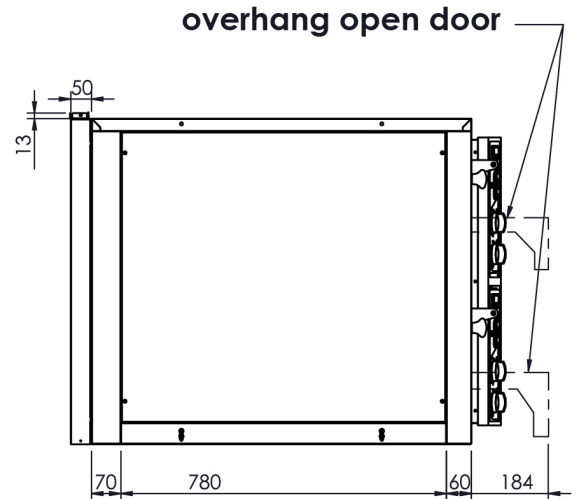
2CT3E09B



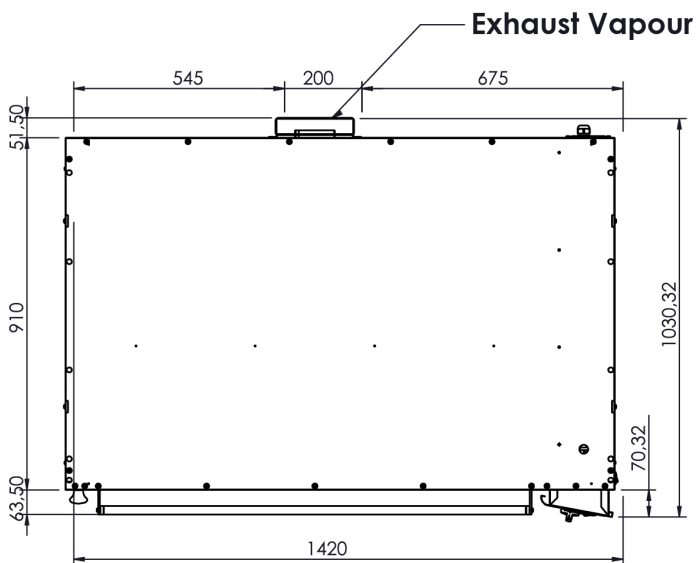
## FRONT



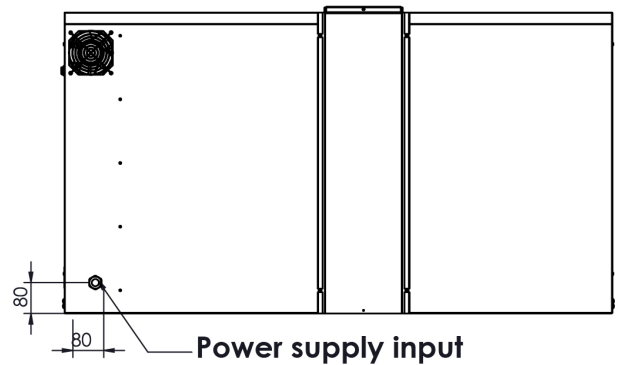
## SIDE



## TOP



## REAR



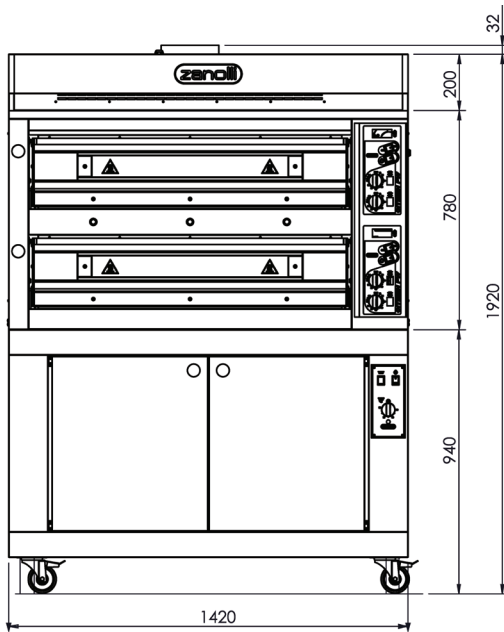
Phone: 1800 183 818 Email: [support@thegoodlady.com.au](mailto:support@thegoodlady.com.au)  
Website: [www.thegoodlady.com.au](http://www.thegoodlady.com.au)

# ZANOLLI CITIZEN PW 6+6/MC EM

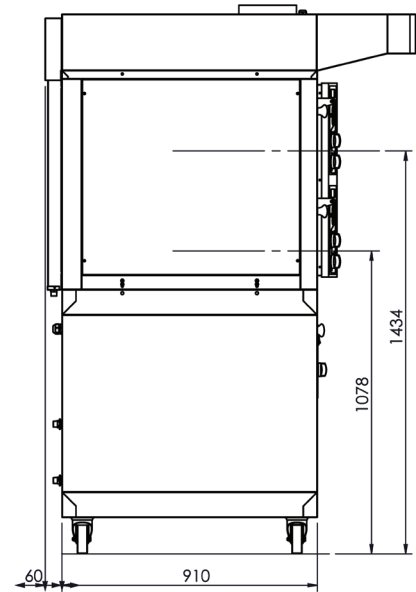
DOUBLE DECK ELECTRIC OVEN WITH STONE BASE, 12 X 34CM (6 + 6) CAPACITY  
LAYOUT WITH OPTIONAL PROVING CABINET AND EXHAUST CANOPY  
2CT3E09B



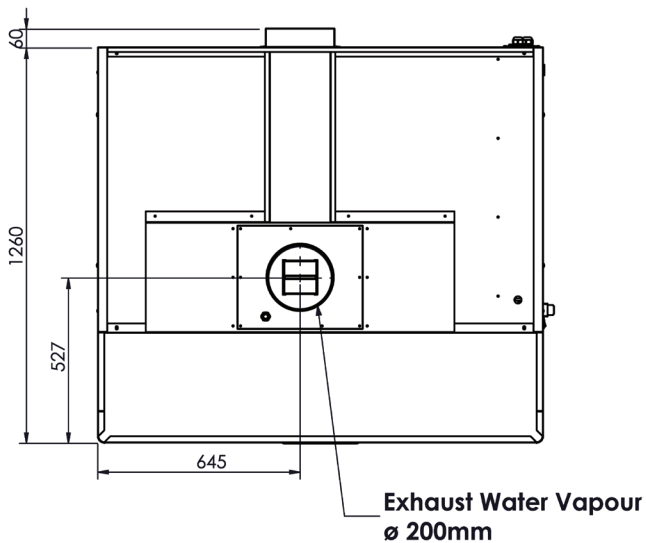
## FRONT



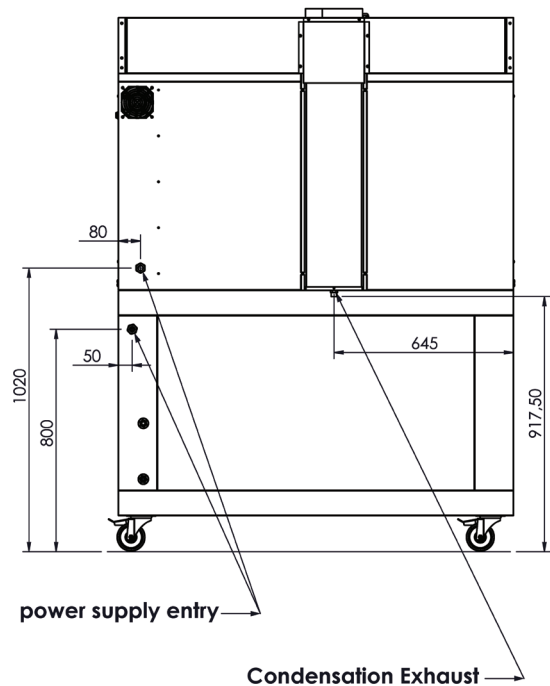
## SIDE



## TOP



## REAR



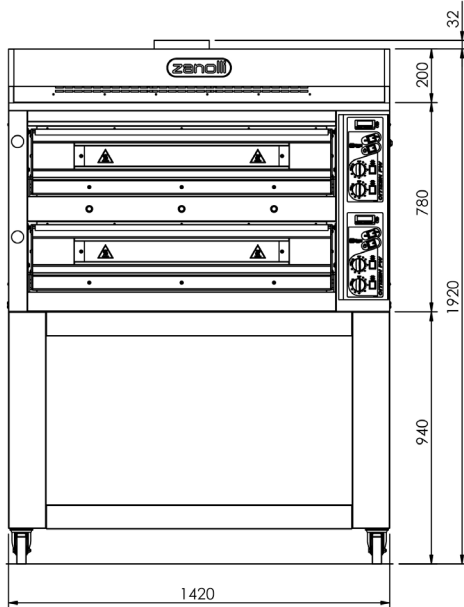
Phone: 1800 183 818 Email: [support@thegoodlady.com.au](mailto:support@thegoodlady.com.au)  
Website: [www.thegoodlady.com.au](http://www.thegoodlady.com.au)

# ZANOLLI CITIZEN PW 6+6/MC EM

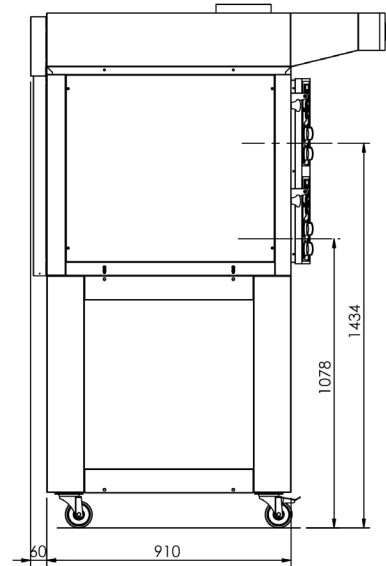
DOUBLE DECK ELECTRIC OVEN WITH STONE BASE, 12 X 34CM (6 + 6) CAPACITY  
LAYOUT WITH OPTIONAL SINGLE STAND AND EXHAUST CANOPY  
2CT3E09B



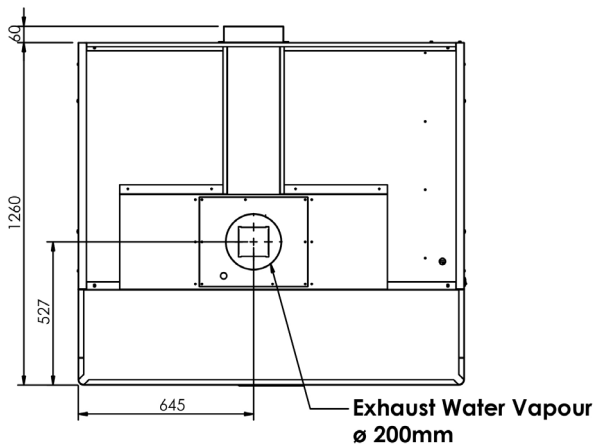
## FRONT



## SIDE



## TOP



## REAR

