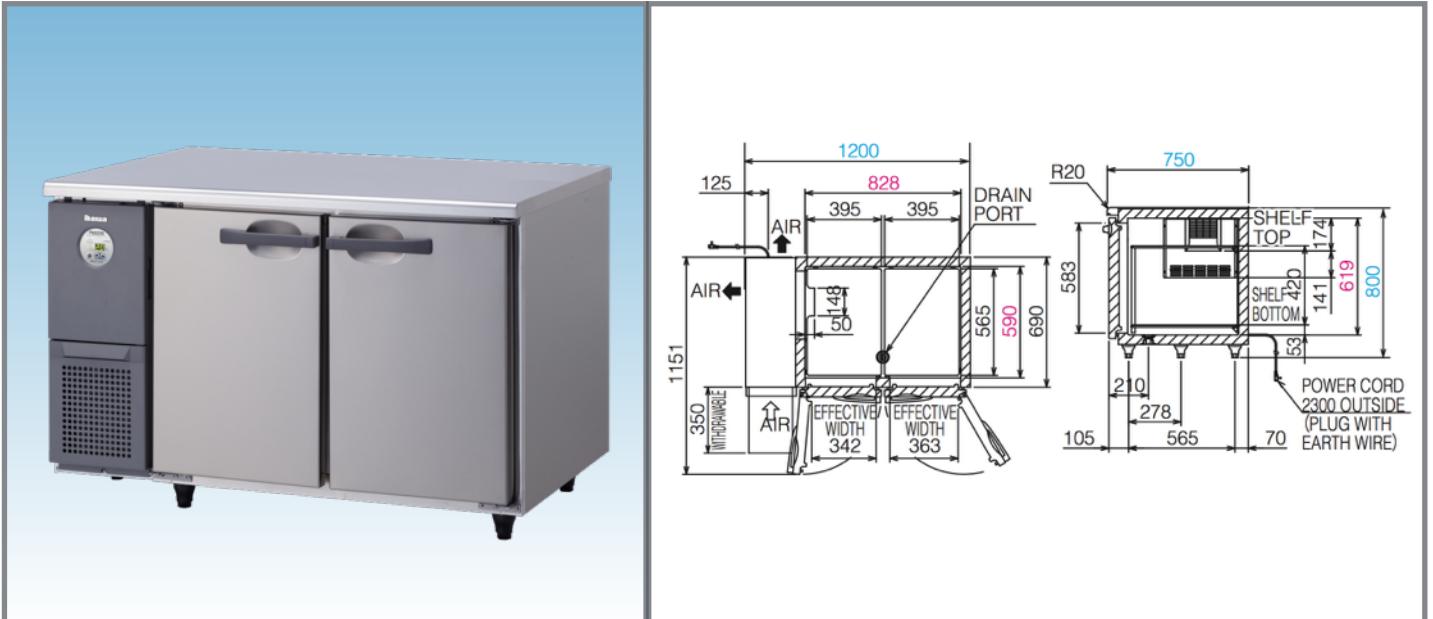


STAINLESS STEEL UNDER COUNTER



MODEL	Volume (L)	Temperature	Dimension (mm)	Refrigrant	Power	Accessories
DKR-126AH (CHILLER)	246 69kg	-6 ~ +12°C	Ext: W1200xD600xH800 Int: W828xD440xH619	R134a	Cooling: 220V / 195W (50/60Hz)	4 Shelves
DKF-126AH (FREEZER)	246 73kg	-25 ~ -7°C	Ext: W1200xD600xH800 Int: W828xD440xH619	R404A	Cooling: 220V / 382W (50/60Hz)	4 Shelves
DKR-127AH (CHILLER)	201 62kg	-6 ~ +12°C	Ext: W1200xD750xH800 Int: W828xD590xH619	R134a	Cooling: 220V / 195W (50/60Hz)	4 Shelves
DKF-127AH (FREEZER)	325 84kg	-25 ~ -7°C	Ext: W1200xD750xH800 Int: W828xD590xH619	R404A	Cooling: 220V / 382W (50/60Hz)	4 Shelves

