

TAE61P5

BAKERY COMBI / PASTRY DECK COMBINATIONS

zanolli
1952 · ITALY

Main Features

HOOD

Exhaust Hood with Optional 400 or 600 mc3 Suction capacity.

BAKING CHAMBER

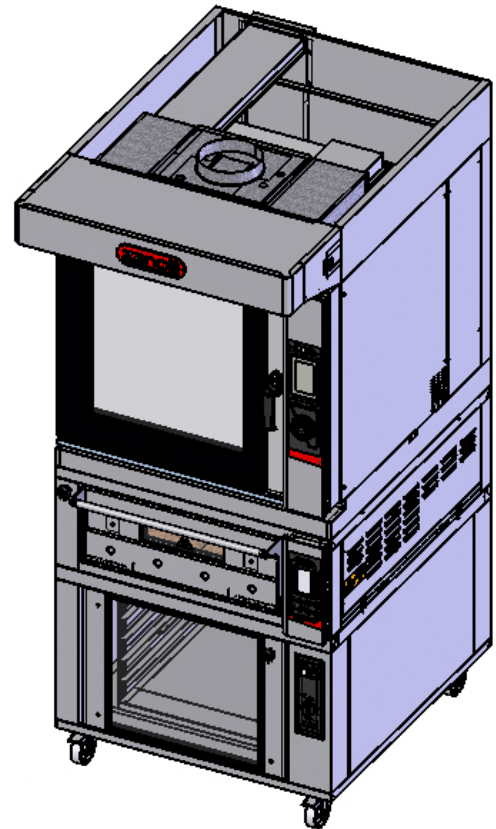
- 6 Trays Capacity (600 x 400)
- Large 80mm Tray Spacing
- Self cleaning
- Weekly Auto Start Up
- 147 Baking Programs
- 2 speed fan regulation
- Bi-directional reversing fan system
- Halogen light
- Convection Cooking
- Combination Cooking
- Steam Cooking
- Probe Cooking
- Touch Panel User Control
- Automatic Preheat
- 6 Cooking Cycles for each Program
- Digital Steam Exhaust Regulation
- Water injection regulation

DECK OVENS

- 1 x Teorema Polis Pastry Deck Ovens accommodating 2 x (600 x 400) Tray(s)
- Stone / or steel base options
- Optional steam Boiler

PROVER

- 5 Trays Capacity (600 x 400)
- Large 75mm Tray Spacing
- Proofer with pan-holder
- Optional humidifier
- Door made of tempered glass
- Castor wheels with brakes



SPECIFICATIONS

Voltage	400V 3 Phase
Power	17.9 kw
Weight	360 kg
Plug Supplied	No
Capacity	6 Trays (400 x 600) for Anemos Bakery Combi 2 Trays (400 x 600) for Teorema Polis Pastry Deck Oven 5 Trays (400 x 600) for Proving Cabinet
Thermostat	260°C Teorema Anemos bakery Combi 400°C Teorema Polis Bakery Deck
Warranty	4 Year Warranty (2 yr Labour 4 yr Parts)

COMPONENTS

1 X Ventilation Hood Top	1COM019A
1 X 6 Tray Teorema Anemos 6E/MC Touch Bakery Combi Oven	5FC0403
1 X Stacking Kit	1COM006A
1 X TPOLIS 2S 2 Tray Baking Deck Oven	2P02H05B
1 X 5 Tray Prover Cabinet with Humidifier	1COM008A

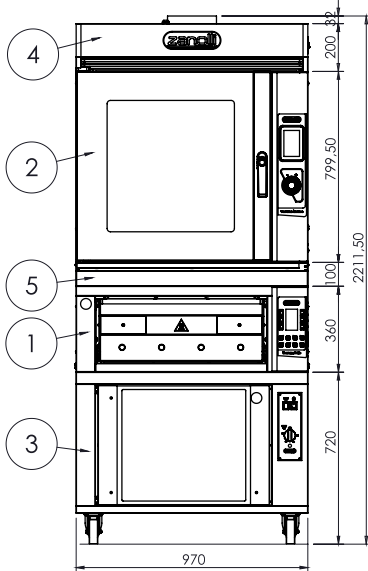
DIMENSIONS

External Width	970mm
External Depth	1351mm (including hood)
External Height	2211mm

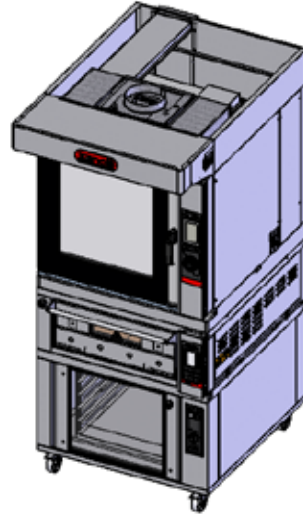
TAE61P5

EXHAUST HOOD STRUCTURE AND PROVISION

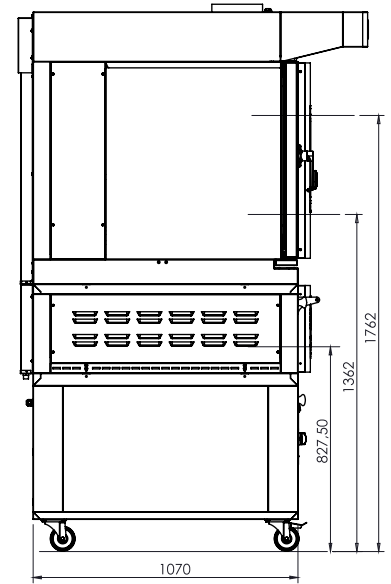
FRONT



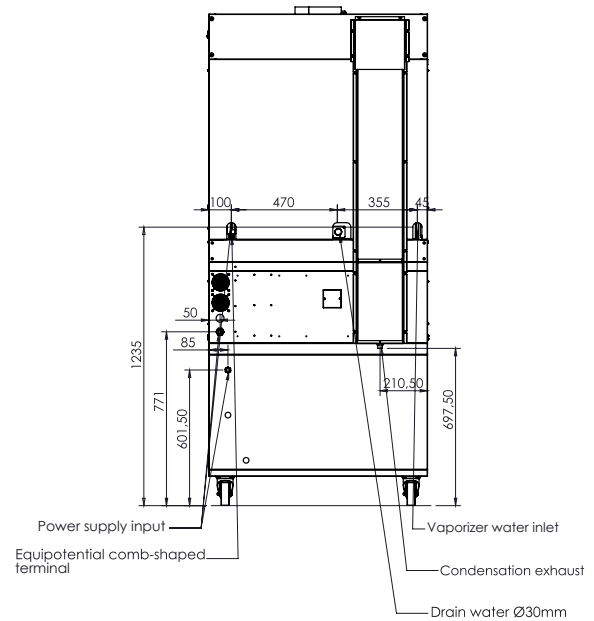
Item num.	Quantity	Description	Power	Trays	Distance between trays
1	1	T POLIS 2S	6,4 kW	n°2	
2	1	T ANEMOS &E TOUCH	10,5 kW	n°6	80mm
3	1	PROOFING CABINET	1 kW	n°10	75mm
4	1	EXHAUST HOOD	0,3 kW		
5	1	KIT COMBI			
Optional			Power		
HUMIDIFIER FOR PROVING CABNIT			1KW		
STEAM BOILER FOR DECK OVEN			2,8KW		



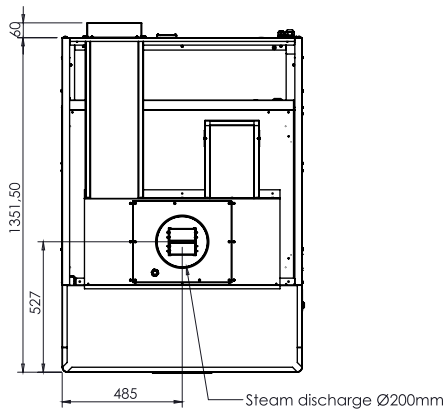
SIDE



REAR



TOP



We reserve the right to alter specifications without notice.

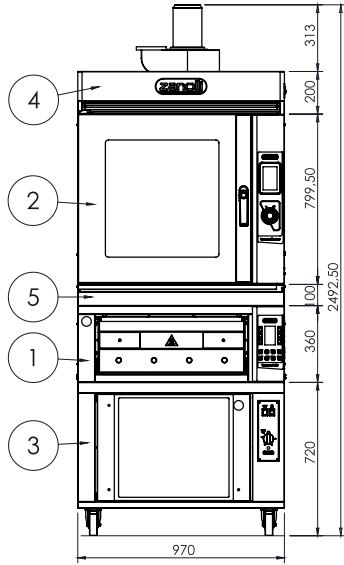


Phone: 1800 183 818 Email: support@thegoodlady.com.au
 Website: www.thegoodlady.com.au

TAE61P5

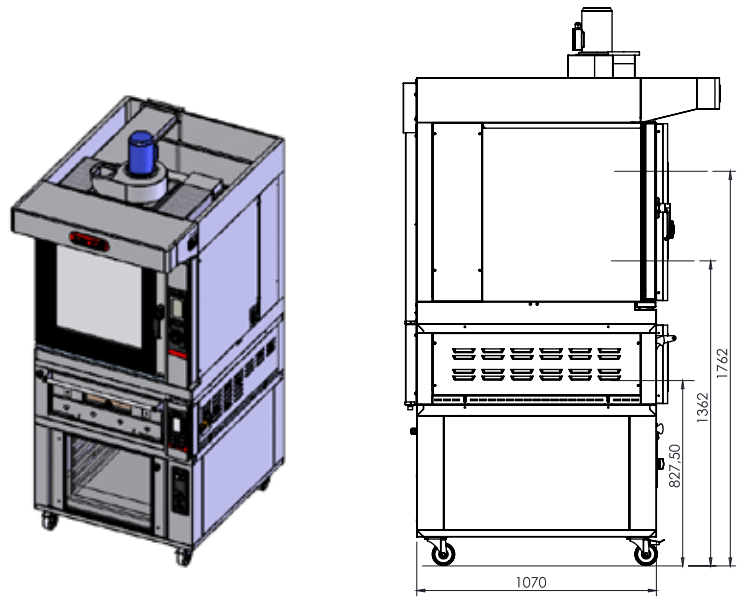
EXHAUST HOOD STRUCTURE, PROVISION & MOTOR (400M3/600M3 CAPACITY)

FRONT

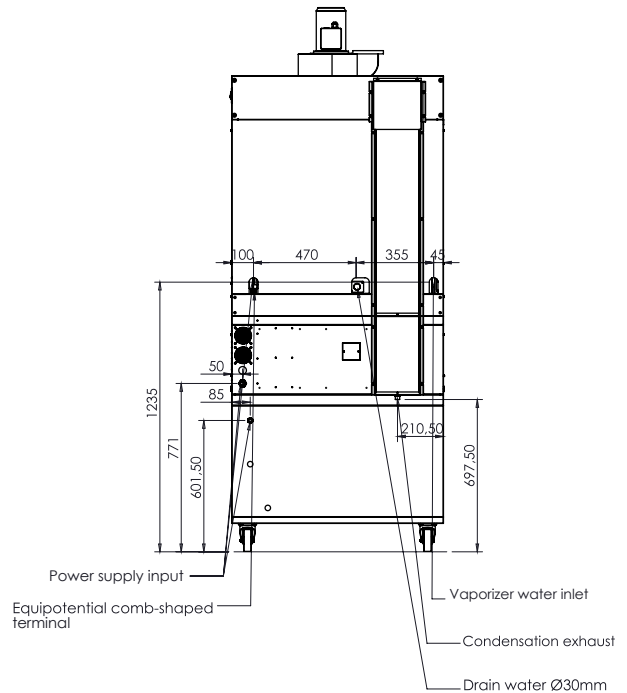


Item num.	Quantity	Description	Power	Trays	Distance between trays
1	1	T POLIS 2S	6.4 kW	n°2	
2	1	T ANEMOS 6E TOUCH	10.5 kW	n°6	80mm
3	1	PROOFING CABINET	1 kW	n°10	75mm
4	1	EXHAUST HOOD WITH MOTOR	0.25 kW		
5	1	KIT COMBI			
Optional		Power			
HUMIDIFIER FOR PROVING CABINET		1 KW			
STEAM BOILER FOR DECK OVEN		2.8KW			

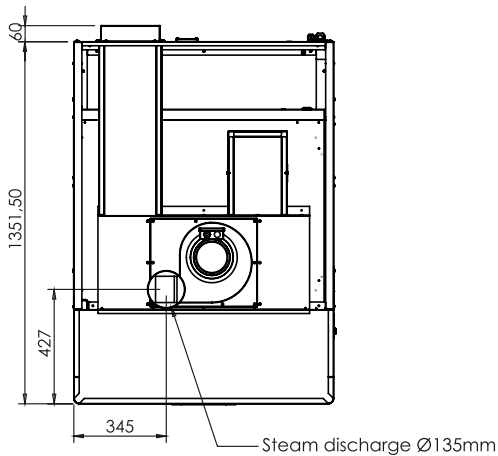
SIDE



REAR



TOP



We reserve the right to alter specifications without notice.

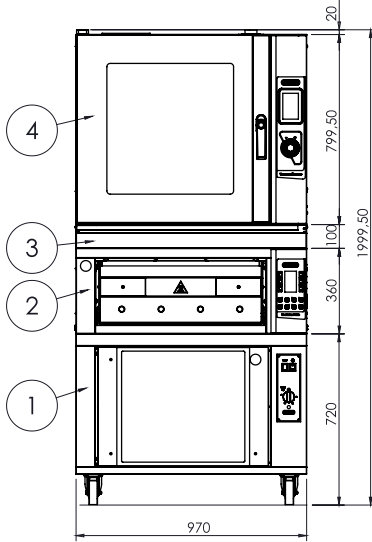


Phone: 1800 183 818 Email: support@thegoodlady.com.au
Website: www.thegoodlady.com.au

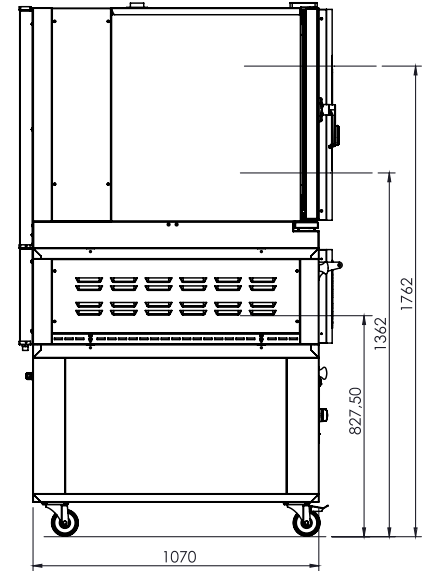
TAE61P5

NO EXHAUST PROVISION

FRONT

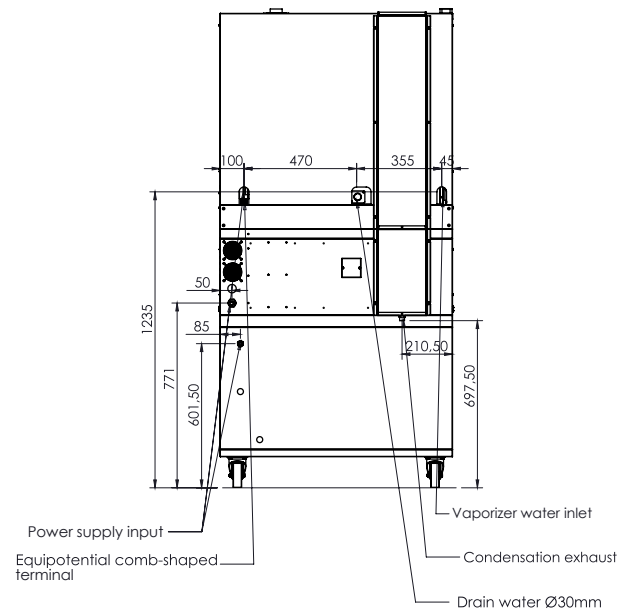


SIDE

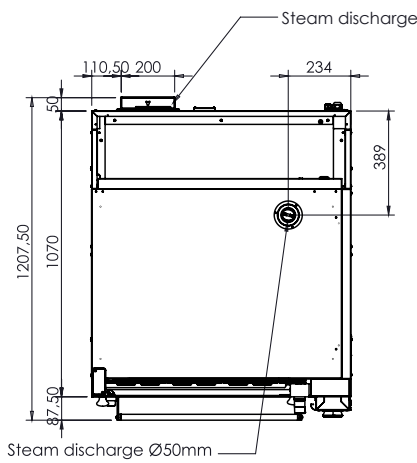


Item num.	Quantity	Description	Power	Trays	Distance between trays
1	1	PROOFING CABINET	1 kW	n°10	75mm
2	1	T POLIS 2S	6.4 kW	n°2	
3	1	KIT COMBI			
4	1	T ÀNEMOS 6E TOUCH	10.5 kW	n°6	80mm
Optional		Power			
HUMIDIFIER FOR PROVING CABINET		1KW			
STEAM BOILER FOR DECK OVEN		2.8KW			

REAR



TOP



We reserve the right to alter specifications without notice.



Phone: 1800 183 818 Email: support@thegoodlady.com.au
 Website: www.thegoodlady.com.au