

# Rockport Collection

15" x 18" Dualmount  
Granite Composite Bar/Prep Sink

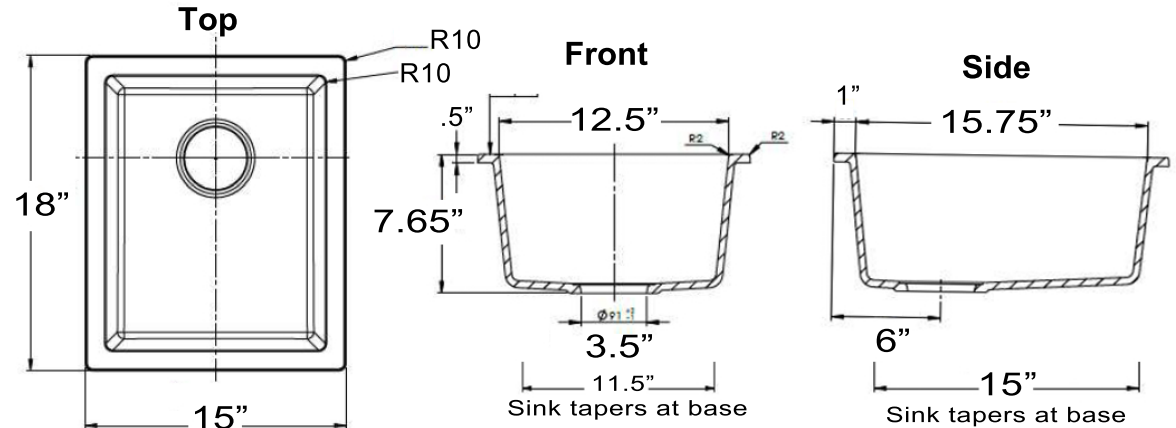
model:

**PR1815-TI**



**Nantucket**  
S I N K S

www.NantucketSinksUSA.com  
info@nantucketsinksusa.com



OVERALL DIMENSIONS	INTERIOR BOWL	EXTERIOR HEIGHT	INTERIOR DEPTH	DRAIN DIMENSIONS
15"W x 18"L Top 11.5"W x 15"L Base	12.5"W x 15.75"L	7.65"	7"	3.5"

## FEATURES:

- Premium granite composite kitchen sink
- 80% Stone/20% Resin
- Scratch resistant/Heat resistant to over 560°degrees Fahrenheit
- Hygienic non-porous surface
- Limited manufacturer's warranty
- Made in Europe
- Material is sound absorbing and stain-resistant
- Without overflow
- Fits a 24" cabinet base minimum (No Template)
- Undermount Clips Included

Project Name: \_\_\_\_\_

Architect / Contractor: \_\_\_\_\_

Job Notes: \_\_\_\_\_

\_\_\_\_\_

\_\_\_\_\_