

 touch-plate®
LED LIGHTING & CONTROLS
Silver Lite Series

Slimline Parking Light
250w & 300w



DESCRIPTION:

Touch-Plate's Parking Lights were designed to offer better security, more lumens, and higher cost savings. Our Parking Lights can offer energy savings of 70% or greater over traditional metal halide or high pressure sodium lighting, our LEDs are optimal for retrofit installations or new construction installations.

PRODUCT FEATURES:

- Die - cast aluminum housing
- Eco-friendly, no mercury
- Multiple mounting options
- Surge Protection
- Lifetime of 50,000 hrs or greater
- DLC Listed
 - 250w (SBL250HV)
 - 300w (SLB300HV)
- 5 Year Limited Warranty

SPECIFICATIONS:

- Wattage: 250w & 300w
- Lumens: 32,500 & 39,000 (approx > 130lm/w)
- Equivalence: 800w & 1000w HID/HPS/MH
- CRI: >70
- IP Rating: IP65
- LED Chips: LUMILEDS 3030
- PF: >0.90

PHYSICAL PARAMETERS:

- Direct Dimensions
 - Length: 29.63"
 - Width: 12.6"
 - Depth: 3.3"
- Slip Fit Dimensions
 - Inside Diameter: 2.38"
 - Length: 30.25"
 - Width: 12.6"
 - Depth: 3.3"
- Trunnion Dimensions
 - Length: 26.93"
 - Width: 12.6"
- Weight
 - 17.10lbs (250w)
 - 18.05lbs (300w)

4822 Projects Drive Fort Wayne, IN 46825

P: 260.426.1565

E: ledsales@touchplate.com

www.ledlightingandcontrols.com



Silver Lite Series Slimline Parking Light

ORDERING GUIDE

LED Type XXX-	Lumens - Wattage XXX-XXX-	CCT XX	Voltage X-	Color X	Mounting Style X
<ul style="list-style-type: none"> PSL Parking Slim 	<ul style="list-style-type: none"> 325-250 32,500lm - 250w 390-300 39,000lm - 300w 	<ul style="list-style-type: none"> 35 3500k 40 4000k 45 4500k 50 5000k 57 5700k 	<ul style="list-style-type: none"> U 120-277v I 200-480v 	<ul style="list-style-type: none"> B Black Z Bronze G Gray W White 	<ul style="list-style-type: none"> R Direct Round S Direct Square F Slip-Fit T Trunnion

ADDITIONAL ORDERING OPTIONS

(specified at time of order)

Beam Angle

- Type III (Standard)
- Type IV
- Type V

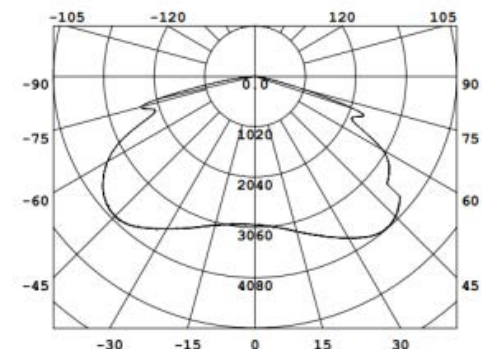
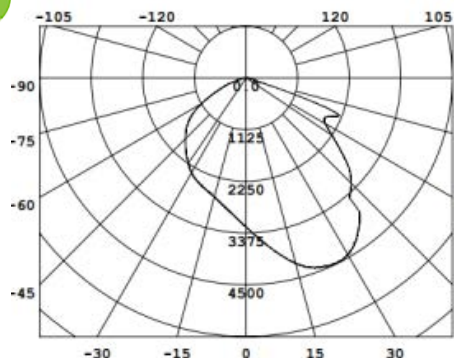
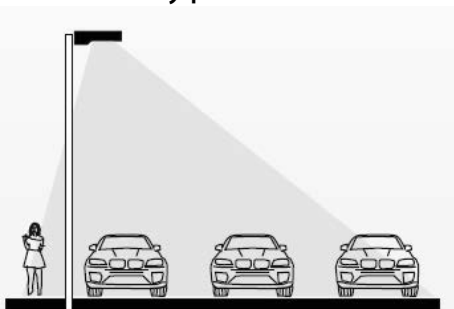
ACCESSORIES

(specified at time of order)

- Photocell Control (120-277v)
- Photocell Control (480v)
- Short Cap
- Surge Protection

PHOTOMETRICS

Type III



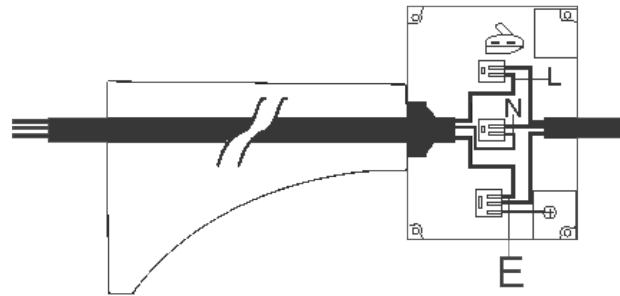
Silver Lite Series Slimline Parking Light

INSTALLATION INFORMATION (WIRING)

This product must be installed in accordance with National Electrical Code(NEC) and/or applicable local codes, by a qualified electrician.

DANGER - RISK OF SHOCK - DISCONNECT POWER BEFORE INSTALLATION

- Make the wiring connections: Black/Brown (Line), White/Blue (Neutral), & Green/Yellow-Green (Ground).

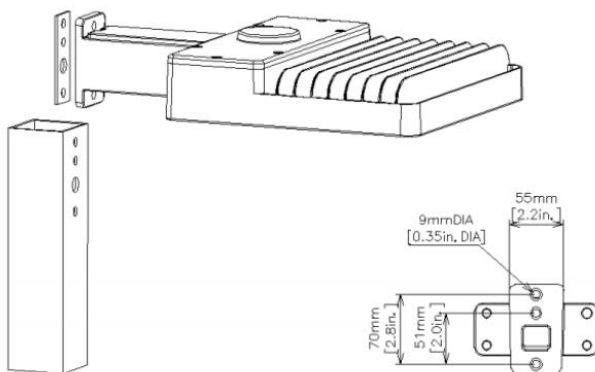


INSTALLATION INFORMATION

This product must be installed in accordance with National Electrical Code(NEC) and/or applicable local codes, by a qualified electrician.

Direct Mount

- Remove the side cover of the fixture.
- Affix the LED fixture with screws from the inside of the fixture to the pole.



Slip-Fit Mount

- Turn the slip fit to the correct angle.
- Slip the fixture onto the post and then secure the fixture with the 4 screws to the post.

