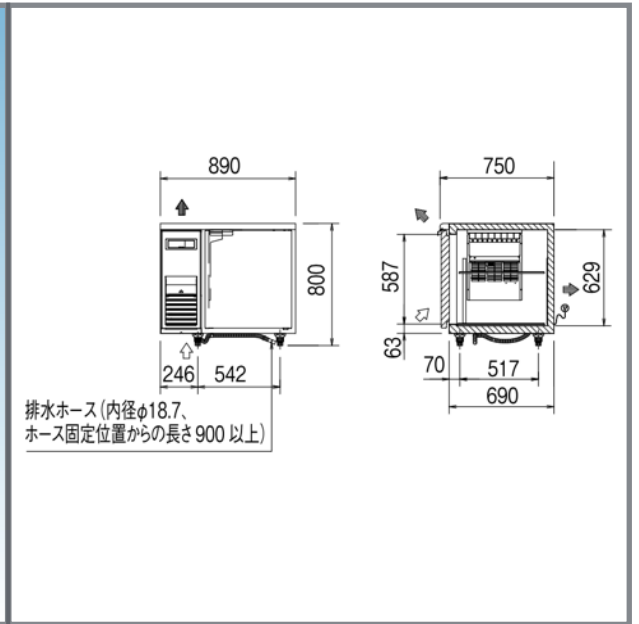




Panasonic

BUSINESS

Refrigerator and Freezer STAINLESS STEEL UNDER COUNTER



Model	Temperature	Dimension	Volume	Weight	Refrigerant	Power
SUF-K961A (FREEZER)	-20°C	Ext: W890xD600xH800 Int: W520xD497xH629	156 L	60kg	R134a	Cooling: 100V / 116/116W (50/60Hz) Defrosting: 100V / 250/250W (50/60Hz)
SUF-K971A (FREEZER)	-20°C	Ext: W890xD750xH800 Int: W520xD647xH629	205 L	64kg	R134a	Cooling: 100V / 116/116W (50/60Hz) Defrosting: 100V / 250/250W (50/60Hz)

High energy saving performance

- Inverter compressor
- Automatic frame heater duty optimization
- Automatic condensing fan speed control

ECONAVI

