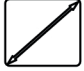





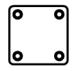



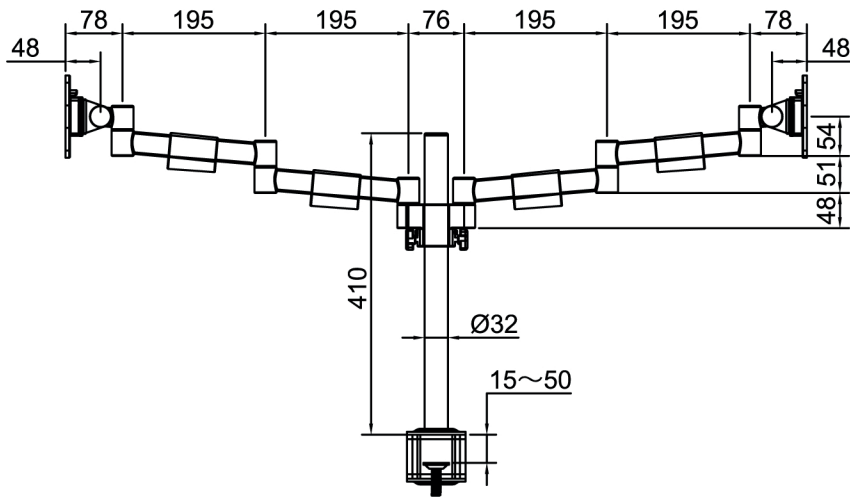


**Product Features**

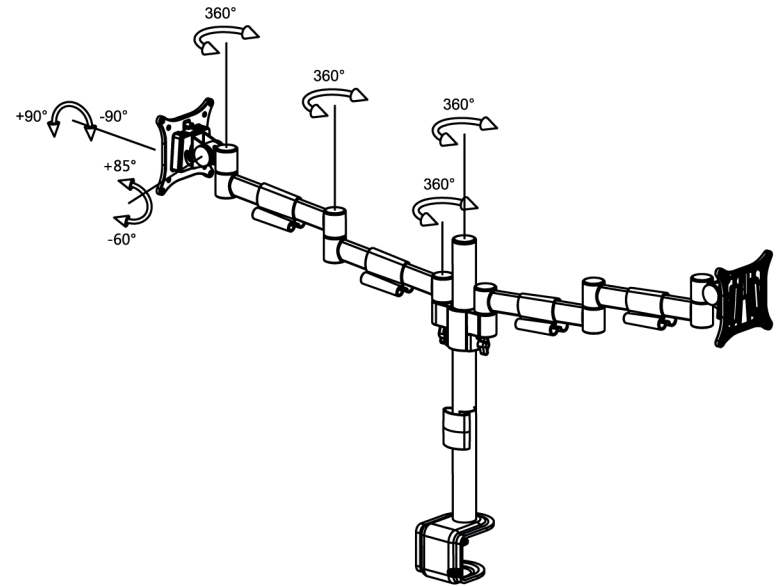
**Technical parameter**

Concise appearance ,smart design ,easy installtion .  
Multiple combination ,widly used in commercial office  
and home area.

										<b>Desk thickness application (mm)</b>	
LCD Size	Wt.Capacity (kg)	Post Height (mm)	Tilt	Swivel	Pivot	VESA	Packing size (mm)	NW (kg)	GW (kg)	Thru desk	desk clamp
≤30"	≤8	400	+85°~-60°	360°	±90°	75*75 100*100	Inner : 570*340*120 outer : 585*355*375 inner/outer : 3/1	Inner : 3.9 outer : 11.7	Inner : 4.8 outer : 16.2	10~50	15~50



Product Dimensions



Multifunctional adjustment figure