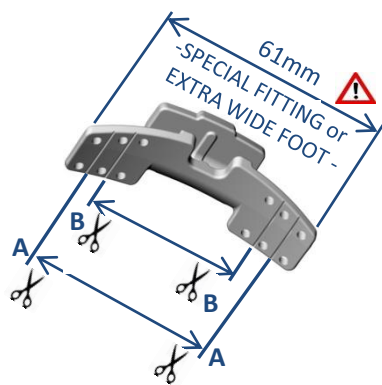




GRIND SMOOTH ALL CORNERS AFTER CUTTING

SEE COMMON LACE CLIP FITTING p.6
SEE COMPLETE LACE CLIP INSTALLATION FITTING INSTRUCTION DOCUMENT (DOWNLOAD SECTION WEBSITE)



FS3000 PEDI KIT - LACE CLIP CUTTING CHART														
SHOE SIZE	US-Kids	10Y	10.5Y	11Y	12.5Y	13Y	1	1.5	2	2.5	3	3.5	4	4.5
CUTTING POSITION	B	B	B	B	B	B	B	A	A	A	A	A	A	A

SUGGESTED WIDTH TO BE VALIDATED ON FOOTWEAR
DO NOT CUT UNTIL FINAL FITTING ON FOOTWEAR

EASY FITTING SHOES FOR FIRST TRIAL...

Regular Sneaker, Tennis Shoe:

(A) Enough eyelets to attach front of the brace

(B) Bulky sole+Ridges for rear friction grip fixation

(C) Robust fabric: We recommend stable shoes with firm heelcap, robust fabric and fitted with ridges on sole contour to hold the orthotic in place. **Avoid Minimalist shoes with very light fabric and thin sole**



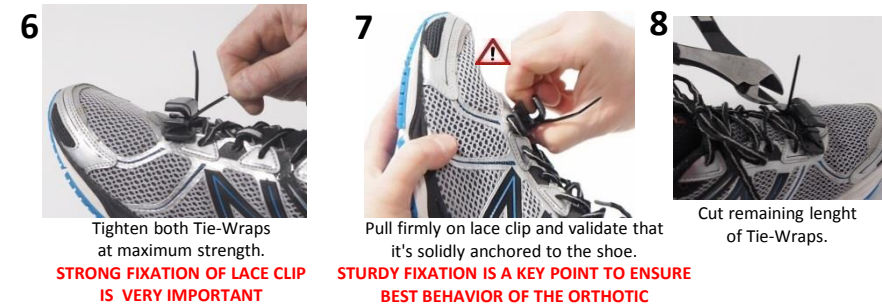
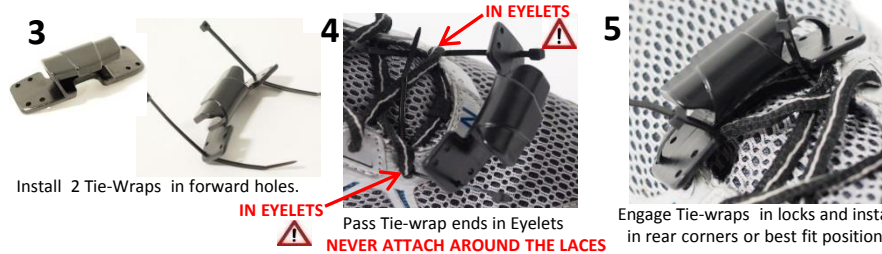
ALL DETAILED TECHNICAL INFORMATION IS AVAILABLE IN DOWNLOAD SECTION OF WEBSITE: ASSEMBLY, SIZING, SHOE FITTING, DONNING DOFFING, THERMOFORMING DOCUMENTS
www.turbomedorthotics.com

TurboMed ORTHOTICS LACE CLIP FITTING FS3000 FOOT DROP ORTHOTIC

We recommend stable shoes with firm heelcap, robust fabric and fitted with ridges on sole contour to hold the orthotic in place.

Avoid Minimalist shoes with very light fabric and thin sole!

Keep in mind that the orthotic uses the shoe to lift and stabilize the foot. Poor shoe sturdiness will impair and diminish brace behavior. (NB, Asics, Brooks, Mizuno, Merrel, Salomon, Keen, Timberland and many other brand are perfect for the brace)



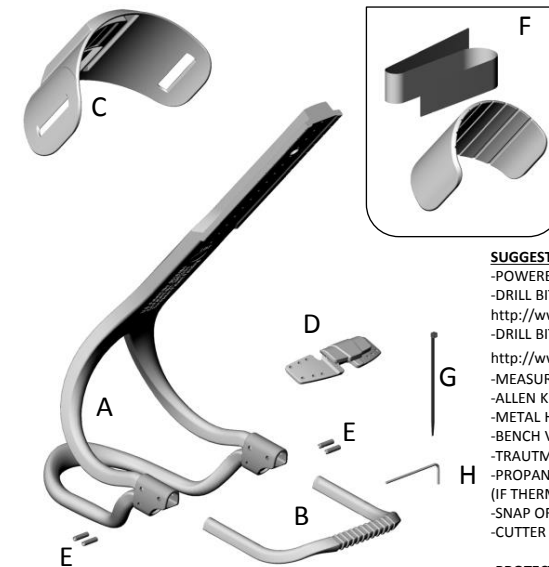
TurboMed ORTHOTICS

ASSEMBLY INSTRUCTIONS (FS3000-SA-P)

FS3000 FOOT DROP ORTHOTIC KIT
SEMI-ASSEMBLED KIT - SIZE PEDIATRIC
(SHOE SIZE 10 US-Y -> 4.5 US Kids)



2017-02-09 - FS3000-SA-P ASSEMBLY V1.5 (LEGAL)



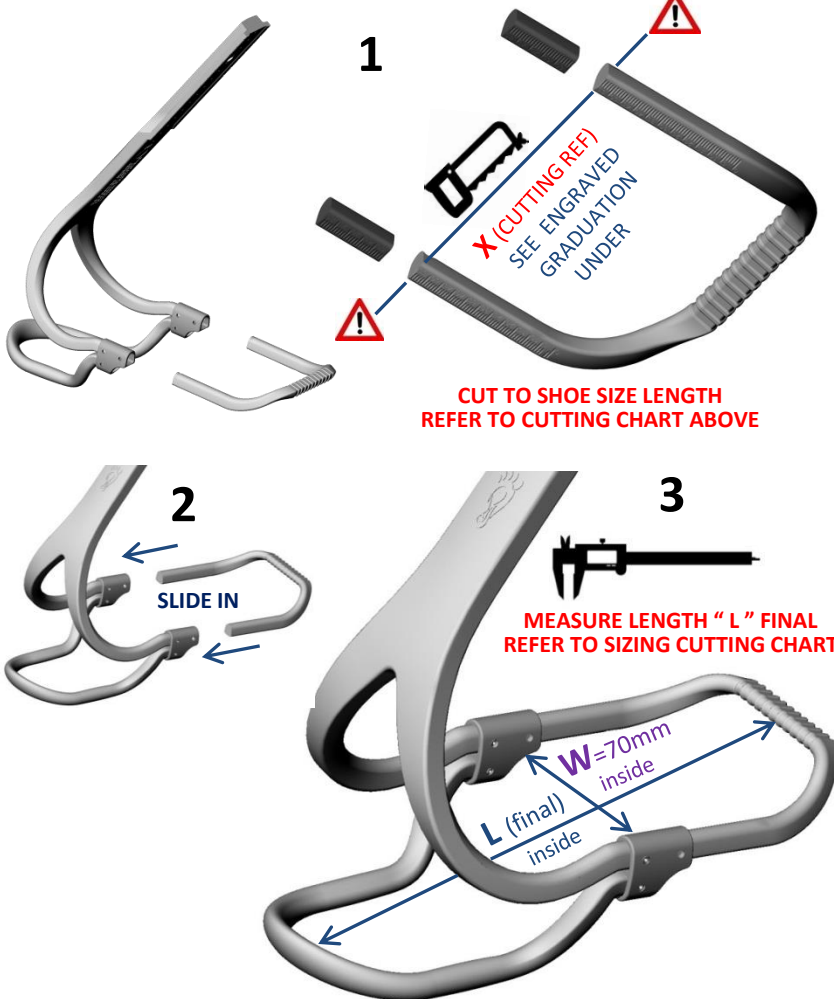
- SUGGESTED USEFULL TOOLS**
- POWERED DRILL (VARIABLE SPEED)
 - DRILL BIT 2.6MM (7/64")
 - http://www.mcmaster.com/#30565A245
 - DRILL BIT 5.6MM (7/32")
 - http://www.mcmaster.com/#30565A278
 - MEASURING CALIPER 300MM OR MEASURING TAPE
 - ALLEN KEY 1.5MM (INCLUDED)
 - METAL HAND SAW
 - BENCH VISE WITH SOFT PAD JAW (PLASTIC OR LEATHER)
 - TRAUTMAN SANDER AND CARVER
 - PROPANE BLOW TORCH OR HEAT GUN (IF THERMOFORMING REQUIRED)
 - SNAP OFF BLADE KNIFE (OLFA, X-ACTO)
 - CUTTER PLIER

PROTECTIVE SAFETY GEAR:
SAFETY GOGGLES, GLOVES, DUST MASK & ALL OTHER PROTECTION REQUIRED BY YOUR HEALTH & SAFETY WORK POLICY)

PARTS LIST - ORTHOTIC KIT, SIZE PEDIATRIC (FS3000-SA-P)			
Item	Qty	Product Code	Description
A	1	FS3000-SA-P	ASSEMBLED BRACE BODY, SIZE PEDIATRIC
B	1	FS3000-U00-P	FRONT SHOE SECTION «U» SHAPE, SIZE PEDIATRIC
C	1	FS3000-C00-P	CALF SECTION, SIZE PEDIATRIC
D	5	FS3000-L00-P	LACE CLIP ATTACHMENT, SIZE PEDIATRIC
E	4	FS3000-SET-10	M3X10 SET SCREW 18-8 STAINLESS STEEL, 10MM LG
F	1	FS3000-K00-P	COMPLETE STRAP & CUSHIONS KIT
G	20	FS3000-ZZZ-001	TIE-WRAP BLACK 18 LBS/4"LONG
H	1	FS3000-ZZZ-002	HIGH-TORQUE HEX-L KEY 1.5MM FOR M3 SET SCREW

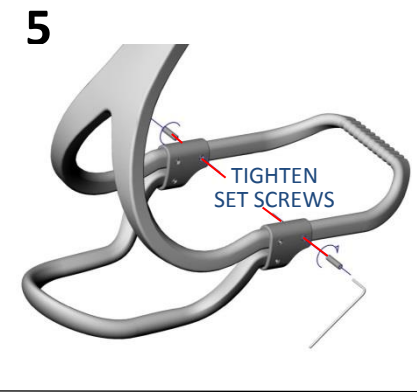
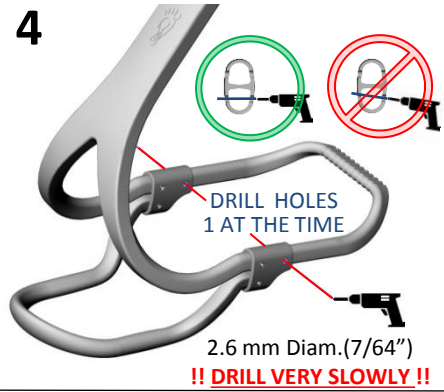
FS3000 PEDI KIT - LENGTH ADJUSTMENT CUTTING CHART															
SHOE SIZE	US-Kids	10Y	10.5Y	11Y	12Y	12.5Y	13Y	1	1.5	2	2.5	3	3.5	4	4.5
FINAL LENGTH	L (mm)	128	133	137	141	145	149	153	156	158	160	163	168	171	175
CUTTING REF	X	-3	2	6	11	15	20	24	27	29	32	35	40	43	47

"X" ACCURATE FOR W=70mm (ORIGINAL BRACE & ASSESSMENT TOOL WIDTH)
 ADD 2-4 mm TO ENLARGE BRACE WIDTH ("W")
 SUBTRACT 2-4 mm TO REDUCE BRACE WIDTH ("W")



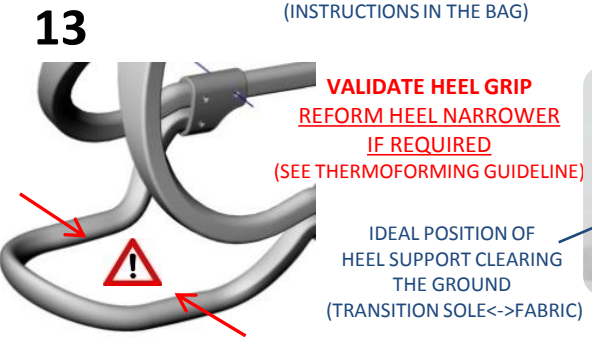
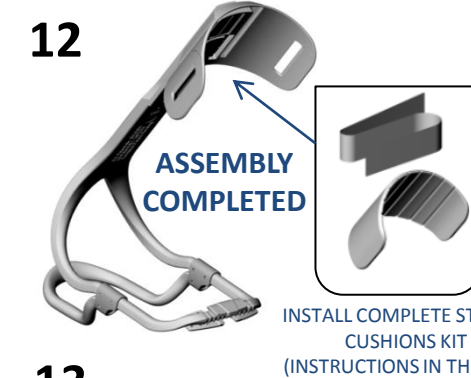
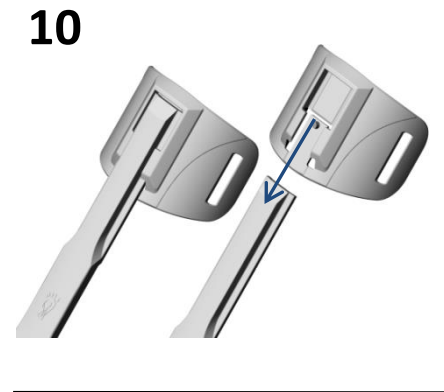
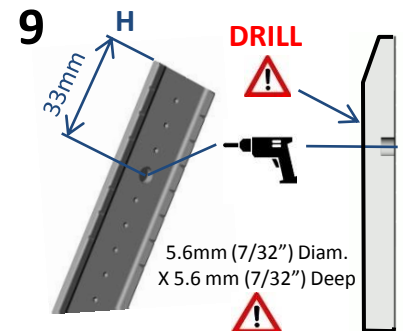
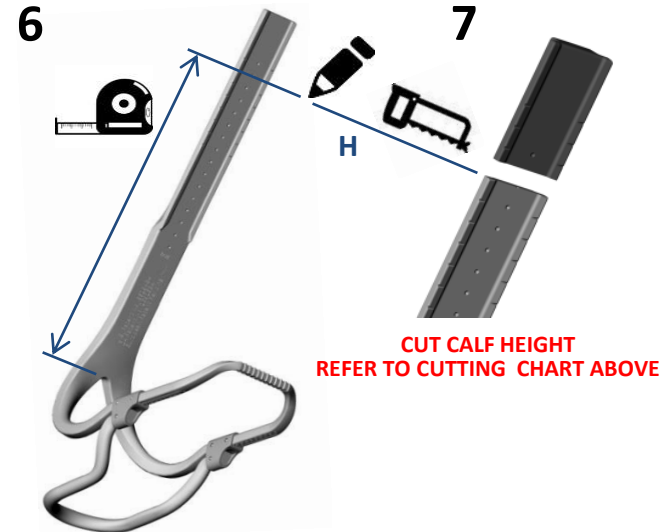
BASIC ORIGINAL BRACE WIDTH "W" = 70mm
 WE SUGGEST TO REFORM "W" & HEEL SUPPORT WIDTH SLIGHTLY WIDER FOR
 SHOE SIZE LARGER THAN 2.5 US-M (SEE * & "W" CHART BELOW)
SEE THERMOFORMING GUIDELINE IF REQUIRED

FS3000 PEDIATRIC KIT - SUGGESTED BRACE WIDTH															
SHOE SIZE	US-Kids	10Y	10.5Y	11Y	12Y	12.5Y	13Y	1	1.5	2	2.5	3	3.5	4	4.5
WIDTH	W(mm)	68	68	68	70	70	70	70	70	72	74	76	76	78	80
										*	*	*	*	*	*



FS3000 PEDIT KIT - CALF SUPPORT ADJUSTMENT CHART															
SHOE SIZE	US-Kids	10Y	10.5Y	11Y	12Y	12.5Y	13Y	1	1.5	2	2.5	3	3.5	4	4.5
CALF HEIGHT	H (mm)	150	155	160	165	170	175	180	185	190	195	200	205	210	215

SUGGESTED HEIGHT (Y) PROPORTIONAL TO SHOE SIZE - WE SUGGEST TO TAKE MEASUREMENTS ON PATIENT



NOTE: