

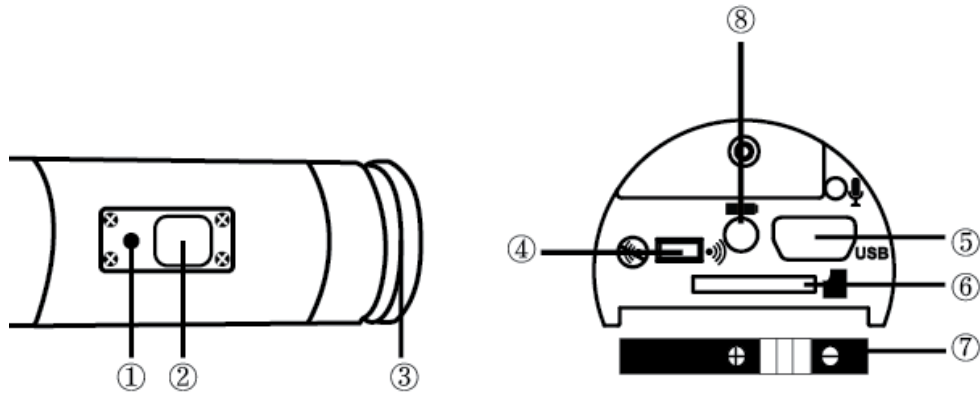


FIRE CAM
FIRE AND POLICE CAMERAS
WWW.FIRECAM.COM



Fire Cam® 4K

User Manual



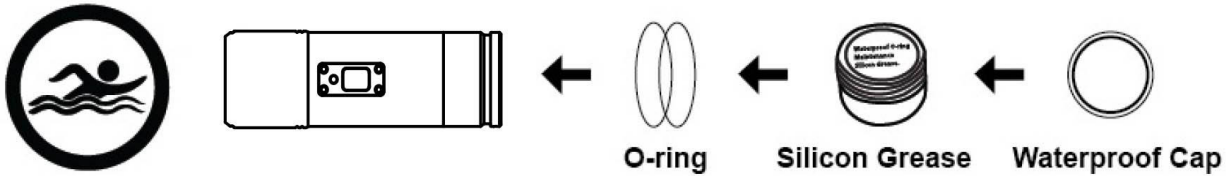
- ① LED ② Power / Shutter ③ Rear Cap ④ WiFi Off / WiFi On
 ⑤ USB ⑥ MicroSD Card Slot ⑦ Battery ⑧ Battery Charging LED

INITIAL SET UP

1. Make sure the Fire Cam 4K is OFF before adding or removing the memory card.
2. Unscrew the rear cap located at the back of the Fire Cam 4K.
3. A CLASS 6 OR 10 MICRO SDHC SD CARD IS REQUIRED. Install the SD memory card (max up to 64GB [Fat32 format]) into the rear slot.
 To insert the micro SD card, slide the micro SD card into the card slot on the back of the Fire Cam 4K with the card label facing down. The micro SD card will click into place once it is inserted. Then replace the rear cap.
4. If no micro SD memory is inserted in the Fire Cam 4K, the LED on top of the camera will blink fast.
5. When using a micro SD memory card in the Fire Cam 4K, there should be no data from other devices on the card. If you are using a micro SD memory card for the first time in the Fire Cam 4K, first you should format the card in your computer (FAT32 FORMAT). An easy way to format on a PC or MAC is to download the FREE SD Formatter at:
https://www.sdcard.org/downloads/formatter_4/

WATER RESISTANT AUDIO CAP (WITH HOLE) is used for standard firefighting conditions and enables the camera to be water resistant but NOT waterproof underwater. The hole allows audio to enter the unit for recording.

WATERPROOF CAP (WITH NO HOLE / NO AUDIO) is used for heavy water conditions which can submerge the camera. You will need to use 2 O-Rings and add some silicon grease from time to time, especially before using underwater. Make sure the rear WATERPROOF CAP (no hole) is firmly closed.



Caution!

Using BulletHD for Water Sports

Reminder: Be sure to re-apply silicon grease to the rubber O-ring each time before using underwater. Make sure the rear cap ③ is closed tight.

Charging the battery

Unscrew the rear cap located at the rear of the camera and Plug the USB charger into the camera. The charging LED is on while charging and will turn off when the battery is fully charged. On the first use, charge the battery 2~3 hours before use.

Wi-Fi Built In

This WiFi camera allows you to connect to the smartphone via the Fire Cam App.

Wi-Fi ON	<p>Make sure the WIFI switch is on in the back of the camera and press the power button to turn on the camera. The camera will automatically start recording. Stop recording by pressing the button once. The BLUE LED will flash on and off. Now go to your smartphone settings, turn on the WIFI network and select "FIRE-CAM". Password: 00000000. Click CONNECT at the top of the app. You will now be connected to the camera with your smartphone and your cameras BLUE LED will remain solid.</p>
----------	--

The App lets you control your camera remotely using a smartphone. Features include full camera control of all settings, live video preview, streaming video, download and playback. The App is available for free at the Apple App Store and Google Play. See what your camera sees by viewing it on your smartphones screen.

Take Video with Fire Cam 4K (WIFI - ON)

Turn on the Fire Cam 4K by pressing the Power/Shutter button once. The GREEN LED will be on. The camera will beep and vibrate and start recording. The RED LED will flash during recording. To stop recording, press the button once. Then the unit will save the file and stop recording. To turn off the camera, HOLD the button down until the camera beeps 6 times and turns off. You can also launch the App and remotely start video recording by pressing the red icon at the center bottom of the screen.

Taking Still Pictures

Connect the Fire Cam 4K to your smartphone via WiFi. Use the APP to set to Photo Mode by pressing the camera icon in the lower right of the screen. Press the center red icon to start taking photos. Photos will be taken automatically every 3 seconds. To stop photo mode, press the red icon on the App or press the button on the camera.

Empty Micro SD Card Slot

If there is no Micro SD card in the Fire Cam 4K, the red and blue LED will flash for 30 seconds, then the camera will switch off automatically.

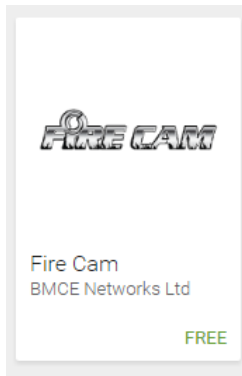
Video Resolution	4K@24fps
	1080P@60fps (default)
	1080P@30fps
	720P@60fps
	720P@30fps
Time Lapse	Off (default)
	1 frame per second
	1 frame per 2 seconds
	1 frame per 5 Seconds
	1 frame per 10 Seconds
	1 frame per 30 Seconds
	1 frame per 60 Seconds
Loop Record	Off (default)
	ON
Video Time	5 Min
	10 Min
	15 Min
Audio Record	Off
	On (default)
Date Stamp	Off

	On (default)
Image Size	12M 4032x3024
	5M 2592x1944 (default)
Quality	Fine (default)
	Good
	Normal
Frequency	50hz
	60hz
Default Setting	OK
	Cancel
Format	OK
	Cancel
Auto Power Off	Off
	3 Min (default)
	5 Min
	10 Min
Wi-Fi Name	-
Reset Password	-
Version	-

Storage Chart										
Mode	Photo(5M)					Video				
	8GB	16GB	32GB	64GB (FAT32)	128GB (FAT32)	8GB	16GB	32GB	64GB (FAT32)	128GB (FAT32)
4K @24fps	5800	11600	23200	46400	92800	45 mins	90 mins	180 mins	360 mins	720 mins
1080P @60fps						50 mins	100 mins	200 mins	400 mins	800 mins
1080P @30fps						70 mins	140 mins	280 mins	560 mins	1120 mins
720P @60fps						90 mins	180 mins	360 mins	720 mins	1440 mins
720P @30fps						110 mins	220 mins	440 mins	880 mins	1760 mins

Fire Cam APP

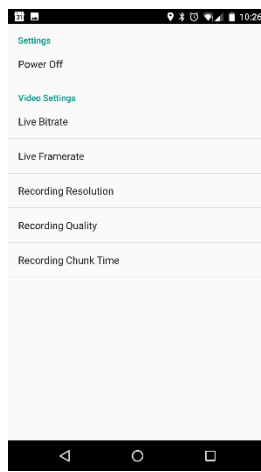
The Fire Cam app is provided free for Fire Cam owners can be found in the Google Play or Apple App stores titled: "Fire Cam" by BMCE networks.



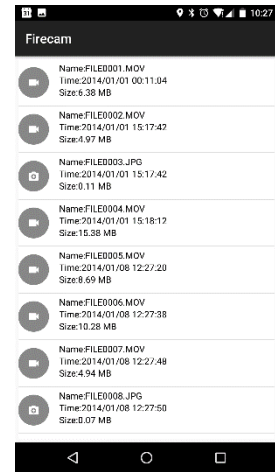
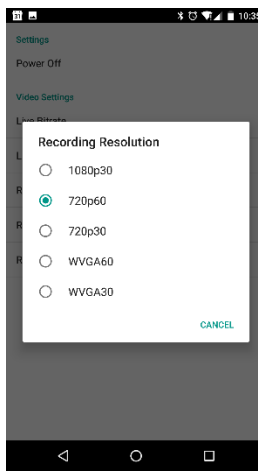
Basic App Controls



Live View and Controls



Camera Settings



Files on Camera

The app will allow control of the following features on your camera:

- Start / Stop Recording
- Preview the live video
- Change Video Resolution
- Time Lapse Option
- Loop Record Option
- Change Video Segment Time
- Select Audio ON/OFF
- Select Date Time Stamp ON/OFF
- Select Image Size 12MP or 5MP
- Select Auto Power ON/OFF
- Format SD card

Basic Settings Via SETTINGS.TXT File

You can also change the settings via the SETTINGS.TXT file. Make sure you click SAVE and the file will be created automatically on the micro SD card after the camera is turned ON. It is highly recommended that you use the smartphone App instead.

```
#####
#system setting
# CAUTION: TO PREVENT SERIOUS SYSTEM CRASH, ONLY ENGLISH ALPHA-NUMERICS CAN BE USED FOR BELOW
PARAMETERS AND CAMERA NAME
#####
VERSION          = PW20161212V01          # DO NOT CHANGE
WIFI_NAME        = FIRE-CAM              # wifi name,length 1-24 (a-z, A-Z, 0-9)
WIFI_PASSWORD    = 00000000              # wifi password, length 8-24 (a-z, A-Z, 0-9)
RESOLUTION       = 1                      #
(0=4K@24,1=1080p@60,2=1080p@30,3=720p@60,4=720p@30)
VIDEO_TIME       = 1                      # (0==3mins,1=5mins,2=10mins)recording interval
time
QUALITY          = 0                      # (0=fine, 1=good, 2=normal)
LOOP_RECORD      = 0                      # (0=off, 1=on)
DATE_STAMP       = 0                      # (0=off, 1=on)
G-SENSOR         = 1                      # (0=off, 1=low, 2=mid, 0=high)
PHOTO_SIZE       = 1                      # (0=12M, 1=5M)
TIMELAPSE        = 0                      # (0=off, 1=1s, 2=5s, 3=10s, 4=30s, 5=60s)
AUDIO_RECORD     = 1                      # (0=off, 1=on)
AUTO_RECORD      = 1                      # (0=off, 1=on)
AUTO_POWER_OFF   = 1                      # (0=off, 1=3min, 2=5min, 3=10min)
TIME_SET         = N2016.01.01.00:00:00  # (Y=change N=No change
DEFAULT_SETTING  = 0                      # (0=false, 1=true) when set to 1, the camera
will ignore other settings, set to system default and write the default settings in this file
#####
#end
#####
```

Playback On Your Computer

Plug the USB cable into your camera and then into your computer. Press the power button on your camera. The camera will turn on and your computer will recognize the device. Go to “My Computer” and click on the camera drive. Now you can access the videos inside of the folders. You can move the videos to your computer or delete them. Please eject the camera before turning off and unplugging from the computer. **DO NOT REMOVE USB CABLE DURING DATA TRANSFER OR FILES COULD BE LOST.**

IMPORTANT TIP FOR MAC USERS

When deleting files from your MicroSD card you must empty the trash before removing the Fire Cam 4K from your computer. If you do not empty your trash the photos and videos files will not be completely erased from your card.

LED Status

Status Table	WiFi LED(Blue)	Work LED(Red)	Power LED(Blue)	Charge LED	Buzzer	Vibrate
Power On	Off	Flashing	On	Off	3 times	2 seconds
Standby	Off	Off	On	Off	Off	Off
Battery Charging	Off	Off	On	On	Off	Off
Taking Video	Off	Flashing	On	Off	1 times	0.5 seconds
Taking Photo	Off	Flashing	On	Off	1 times	0.5 seconds
Stop Video	Off	Off	On	Off	2 times	0.5 seconds
Stop Photo	Off	Off	On	Off	2 times	0.5 seconds
Card Slot Empty	Off	Flashing	On	Off	Off	Off
Micro SD card full	Off	Flashing	On	Off	4 times	2 seconds
Date Transfer	Off	Flashing	On	Off	Off	Off
WiFi Connecting	Flashing	Off	On	Off	Off	Off
WiFi Connected	On	Off	On	Off	Off	Off
Low Battery	Off	Flashing	On	Off	2 seconds	2 seconds

Technical Specifications

Optics:

- WIDE ANGLE view
- f/2.0, fixed focus glass lens

Video:

- Resolution Settings: 4K: 3840x2160 @ 24fps
- Full HD Resolution Settings: 1080p: 1920x 1080 @ 60/30fps
- HD Resolution Settings: 720p: 1280 x 720 @60/30fps
- Sensor Type: 1 / 3" HD CMOS
- Light Sensitivity: 1.4 V/lux-sec (550nm)
- Video Format: MJPG codec, .MOV file format
- Exposure Control : Auto
- White Balance: Auto

Audio:

- Built-in microphone

Photo:

- Resolution: 2592 x 1944
- Camera: 5.0 Mega Pixels
- Format: JPEG
- Capture mode: Auto snap shot every 3 seconds

Storage:

- Memory: Micro SD card, up to 128GB capacity (no included)
(recommended Class 6 or above)
- Avg. Record Time: 10~15min/GB

Product size: 104 x 32 x 32 mm

Weight: 104g

Operating System (for USB drive):

Win ME, 2000, XP, Vista, Win 7, Win 8; Mac OS X 10.6+

Mounting the Fire Cam BlackJack Holder

With set screws loose, fit the BlackJack mount on the right or left brim of the fire helmet. It can be installed above the brim or below the brim depending on the view from your camera. Snug the 2 set screws on the brim **BEING CAREFUL NOT TO OVER TIGHTEN**. Place the camera inside of the BlackJack mount making sure the button is on the top and camera is level. Tighten down the set screw to hold the camera **BEING CAREFUL NOT TO OVER TIGHTEN**. If the set screw starts to make marks on the camera, this will not damage the integrity of the unit. A small piece of black tape can help limit the marks.

WARRANTY / DISCLAIMER:

Abuse of Camera IS NOT covered under warranty. Fire Cam warrants its products against defects in material or workmanship for 12 months from date of purchase unless otherwise specified. This warranty also includes the "Fire Cam Damage" warranty. If the cameras components get damaged in a fire, you are covered for one free replacement. The Fire Cam 4K Fire Helmet Camera's warranty is limited to the replacement or repair of the defective item at no charge if we determine the item to be defective. This warranty shall not apply to any item subject to misuse including such as failure by buyer to follow instructions, product modification, normal wear and tear, negligent or improper operation. Abuse of camera, cable or accessories IS NOT covered under the warranty. Fire Cam products are not recommended for concrete training towers or flashover chambers where it could sustain high temps for long periods of time. Electronic damage due to over-voltage, incorrect polarity from product power supplies, or incorrect MAINS voltage is not covered under the warranty. **DO NOT USE ANY AFTERMARKET CHARGERS FOR YOUR CAMERAS.** Fire Cam chargers are designed specifically for Fire Cam's only. Modification, repair, or attempted repair by anyone other than Fire Cam or without the written permission of Fire Cam will void this warranty. This warranty covers the cost of factory repair, labor and parts on eligible equipment which is returned. Equipment, which is repaired under this warranty will be returned freight prepaid. If it is determined that the Fire Cam does not need repair, the purchaser shall pay for return shipping charges. Disclaimer: Fire Cam does not assume any responsibility for any accidents or injuries incurred to the user of the Fire Cam Fire Helmet Camera.

WARNING!

Firefighting is a dangerous activity and should only be performed by a trained professional. The end user of Fire Cam products assumes all responsibility connected with the use of this product including but not limited to continuing education, and activity that conforms to local Standard Operating Procedures. Neither the manufacturer nor any distributor assumes any liability for injuries sustained while using Fire Cam products. The Fire Cam® Fire Helmet Cameras TM are manufactured of anodized aluminum, and may retain heat for several minutes after being exposed to a heated environment such as a structure re or training re so it needs to be handled with care. The end user is responsible for installation consistent with the mounting instructions, as well as regular safety inspections of the BlackJack Holder and Fire Cam Fire Helmet Cameras. For further questions, please go to www.FireCam.com under the "contact us" page.

SHIPPING AND RETURNS:

Orders within the United States are shipped by ground which takes 3-5 business days depending on your location in the US. We will make all efforts to ship your order within 2-3 business days of receipt. We do not ship on Saturdays and Sundays. All orders placed on Saturday and Sunday will be processed that following Monday. During the holidays and Sundays, our order processing time may increase. Fire Cam charges sales tax for orders shipped to Illinois. Recipients of orders shipped to other states are responsible for complying with state and local tax laws. You will receive an emailed confirmation, if you provided it with your order. Fire Cam ships to PO boxes via USPS.

International Shipping:

We ship to the United States and most other Countries. For orders shipped outside of the United States, your order will be shipped via USPS standard mail. Delivery times vary by destination, most orders should arrive within 21 days of shipment. All payments are made in US Dollars. The order total does not include customs duties or international taxes. The customer is responsible for any non-US taxes or import duties which may be levied by local authorities.

Please check your countries import and taxation policies before ordering. **Returns:**

3 REASONS FOR RETURNS:

1. Defective item.
2. Wrong item received.
3. Departmental policy that prevents use of the camera.

*All returns must be authorized. *

To receive authorization for a return, you must contact customer service at www.FireCam.com under the Contact Us page to obtain a Return Authorization number known as an RA #. Upon approval, an RA form will be emailed which must be completed in full and returned with item(s). All returns that are not exchanged for another item can be refunded only within 14 days of the original purchase date and refund is subject to a 15% restocking fee and the item MUST be UNUSED / NOT DAMAGED and in the ORIGINAL box. If the requested items are not in stock by the time we process your RA, your credit card will be refunded for the value of the items returned to our warehouse to avoid further delay on your request. (in which case the 15% restocking fee will be waived).

Once you receive your RA #, you must ship the item(s) back within 7 business days to receive an exchange or the RA # will become null and void. You will be responsible for the return shipping costs. We do not refund shipping costs on returns and or exchanges.

Pack your item(s) in the original shipping box if possible and insure your package for the full value of merchandise and return it to us using the delivery service of your choice. We are not responsible for lost or damaged return packages. We will notify you via e-mail once your return has been processed.

Depending on where you purchased your Fire Cam®, some cameras may be covered under the "Fire Cam Damage" warranty throughout the warranty period. If your cameras components accidentally get damaged in a fire, you are covered for one FREE replacement. This warranty ONLY applies to customers who purchase directly from Fire Cam unless a distributor of Fire Cam otherwise specifies. Fire Cam products are not recommended for concrete training towers or flashover chambers where it could sustain high temps for long periods of time and this warranty will not apply to repeated abuse of the product. We are the ONLY Fire Helmet Camera™ manufacturer and the ONLY company that offers this type of warranty. Please go to www.FireCam.com for more information.