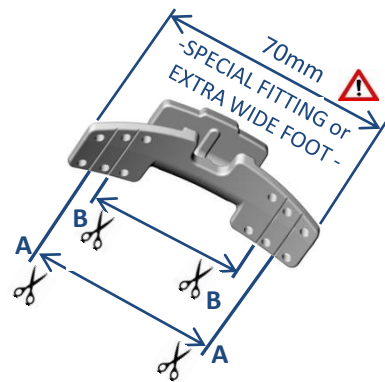




GRIND SMOOTH ALL CORNERS AFTER CUTTING

SEE COMMON LACE CLIP FITTING p.6
SEE COMPLETE LACE CLIP INSTALLATION FITTING INSTRUCTION DOCUMENT (DOWNLOAD SECTION WEBSITE)



FS3000 SMALL KIT - LACE CLIP CUTTING CHART															
SHOE SIZE	US-M	2.5	3	3.5	4	4.5	5	5.5	6	6.5	7	7.5	8	8.5	9
SHOE SIZE	US-W	3.5	4	4.5	5	5.5	6	6.5	7	7.5	8	8.5	9	9.5	10
CUTTING POSITION		B	B	B	B	B	B	B	A	A	A	A	A	A	A

****SUGGESTED WIDTH TO BE VALIDATED ON FOOTWEAR****
****DO NOT CUT UNTIL FINAL FITTING ON FOOTWEAR****

EASY FITTING SHOES FOR FIRST TRIAL...

Regular Sneaker, Tennis Shoe:

(A) Enough eyelets to attach front of the brace

(B) Bulky sole+Ridges for rear friction grip fixation

(C) Robust fabric: We recommend stable shoes with firm heelcap, robust fabric and fitted with ridges on sole contour to hold the orthotic in place. **Avoid Minimalist shoes with very light fabric and thin sole**



ALL DETAILED TECHNICAL INFORMATIONS ARE AVAILABLE IN DOWNLOAD SECTION OF WEBSITE: ASSEMBLY, SIZING, SHOE FITTING, DONNING DOFFING, THERMOFORMING DOCUMENTS
www.turbomedorthotics.com

TurboMed ORTHOTICS FS3000 FOOT DROP ORTHOTIC

We recommend stable shoes with firm heelcap, robust fabric and fitted with ridges on sole contour to hold the orthotic in place.

Avoid Minimalist shoes with very light fabric and thin sole!

Keep in mind that the orthotic uses the shoe to lift and stabilize the foot. Poor shoe sturdiness will impair and diminish brace behavior. (NB, Asics, Brooks, Mizuno, Merrel, Salomon, Keen, Timberland and many other brand are perfect for the brace)



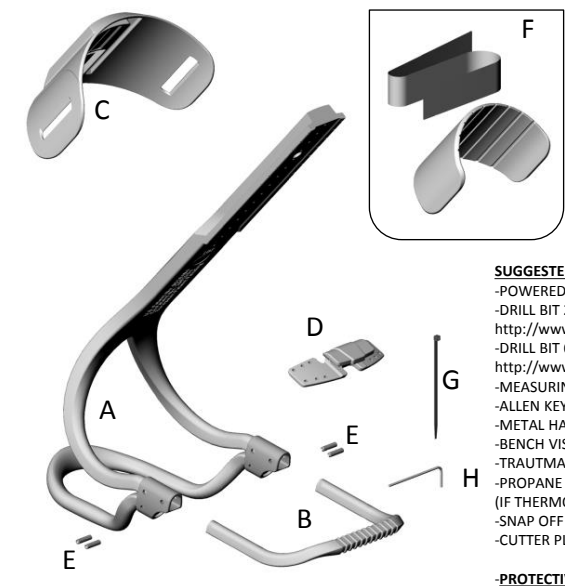
TurboMed ORTHOTICS

ASSEMBLY INSTRUCTIONS (FS3000-SA-S)

FS3000 FOOT DROP ORTHOTIC KIT
SEMI-ASSEMBLED KIT - SIZE SMALL
(SHOE SIZE 3 US -> 9 US Men)



2017-02-09 - FS3000-SA-S ASSEMBLY V1.5 (LEGAL)



- SUGGESTED USEFULL TOOLS**
- POWERED DRILL (VARIABLE SPEED)
 - DRILL BIT 2.6MM (7/64")
 - http://www.mcmaster.com/#30565A245
 - DRILL BIT 6.5MM (1/4")
 - http://www.mcmaster.com/#30565A288
 - MEASURING CALIPER 300MM OR MEASURING TAPE
 - ALLEN KEY 1.5MM (INCLUDED)
 - METAL HAND SAW
 - BENCH VISE WITH SOFT PAD JAW (PLASTIC OR LEATHER)
 - TRAUTMAN SANDER AND CARVER
 - PROPANE BLOW TORCH OR HEAT GUN (IF THERMOFORMING REQUIRED)
 - SNAP OFF BLADE KNIFE (OLFA, X-ACTO)
 - CUTTER PLIER
- PROTECTIVE SAFETY GEAR:**
SAFETY GOGGLES, GLOVES, DUST MASK & ALL OTHER PROTECTION REQUIRED BY YOUR HEALTH & SAFETY WORK POLICY)

PARTS LIST - ORTHOTIC KIT, SIZE SMALL (FS3000-SA-S)			
Item	Qty	PRODUCT CODE	DESCRIPTION
A	1	FS3000-SA-S	ASSEMBLED BRACE BODY, SIZE SMALL
B	1	FS3000-U00-S	FRONT SHOE SECTION «U» SHAPE, SIZE SMALL
C	1	FS3000-C00-S	CALF SECTION, SIZE SMALL
D	5	FS3000-L00-S	LACE CLIP ATTACHMENT, SIZE SMALL
E	6	FS3000-SET-12	M3X12 SET SCREW 18-8 STAINLESS STEEL, 12MM LG
F	1	FS3000-K00-SML	COMPLETE STRAP & CUSHIONS KIT
G	20	FS3000-ZZZ-001	TIE-WRAP BLACK 18 LBS/4" LONG
H	1	FS3000-ZZZ-002	HIGH-TORQUE HEX-L-KEY 1.5MM FOR M3 SET SCREW

FS3000 SMALL KIT - LENGTH ADJUSTMENT CUTTING CHART															
SHOE SIZE	US-M	2.5	3	3.5	4	4.5	5	5.5	6	6.5	7	7.5	8	8.5	9
SHOE SIZE	US-W	3.5	4	4.5	5	5.5	6	6.5	7	7.5	8	8.5	9	9.5	10
FINAL LENGTH	L (mm)	160	164	168	171	175	180	183	187	190	193	196	199	203	205
CUTTING REF	X	14	18	22	25	30	34	38	42	46	49	52	55	58	61

"X" ACCURATE FOR W= 80mm (ORIGINAL BRACE & ASSESSMENT TOOL WIDTH)
 ADD 2-4 mm TO ENLARGE BRACE WIDTH ("W")
 SUBSTRACT 2-4 mm TO REDUCE BRACE WIDTH ("W")

BASIC ORIGINAL BRACE WIDTH "W" = 80mm
 WE SUGGEST TO REFORM "W" & HEEL SUPPORT WIDTH SLIGHTLY WIDER FOR SHOE SIZE LARGER THAN 6.5 US-M (SEE * & "W" CHART BELOW)
SEE THERMOFORMING GUIDELINE IF REQUIRED

FS3000 SMALL KIT - SUGGESTED BRACE WIDTH															
SHOE SIZE	US-M	2.5	3	3.5	4	4.5	5	5.5	6	6.5	7	7.5	8	8.5	9
WIDTH	W(mm)	78	78	80	80	80	80	82	82	84	84	84	86	88	88
										*	*	*	*	*	*

4

2.6 mm Diam.(7/64")
!! DRILL VERY SLOWLY !!

5

FS3000 SMALL KIT - CALF SUPPORT ADJUSTMENT CHART															
SHOE SIZE	US-M	2.5	3	3.5	4	4.5	5	5.5	6	6.5	7	7.5	8	8.5	9
SHOE SIZE	US-W	3.5	4	4.5	5	5.5	6	6.5	7	7.5	8	8.5	9	9.5	10
CALF HEIGHT	H (mm)	240	240	240	245	245	250	250	255	255	260	265	265	275	275

****SUGGESTED HEIGHT (Y) PROPORTIONAL TO SHOE SIZE - WE SUGGEST TO TAKE MEASUREMENTS ON PATIENT ****

6

7

8

9

10

11

12

CALF REMOVAL (IF REQUIRED)

13

APPLY SLIGHT FORCE DOWN

NOTE: