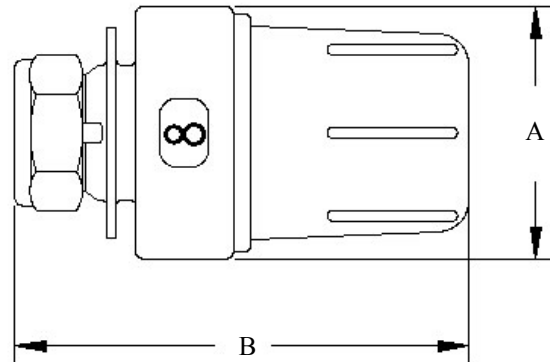


Description

The Macon MTW-SS thermostatic operator will help you balance your heating system. The MTW-SS operator has one of the most accurate sensors for individual radiator temperature control. The problem of overheating, under-heating and wide temperature swings can now be controlled.

The MTW-SS thermostatic operator by Macon Controls conserves energy by regulating temperature. Fuel costs can be reduced up to 30%!

The MTW-SS is a self-acting adjustable non-electric thermostatic operator. It has anti-freeze position, adjustable max./min. temperature, selected temperature locking feature and can be shutoff completely if required. Each MTW-SS thermostatic operator is individually calibrated and conforms to ASHRAE standardization rules for temperature regulation. The MTW-SS's smooth shape and narrow air gaps gives a nice operation and makes it easy to keep clean. Can be mounted on all Macon NT series valves. Millions are in use throughout the world.



TECHNICAL DATA					
Temperature Setting Range	46°F to 82°F	Material	Engineered heat resistant thermoplastic (PBT,POM)		
Maximum Storage & Ambient Temp.	122°F			Nut	Low Lead Brass
Maximum Water Temp.	250°F			Fingers	Stainless Steel 303
Maximum Steam Pressure	15 psig			Weight	5.4 oz.
Maximum Differential Pressure	20 psi			Color	White
Suggested Differential Pressure	0.5 to 2.9 psi			Width (A)	2.05"
Max. Movement	0.125"			Height (B)	3.66"
Nominal Opening	0.018 (3.6°F)				
Long Term Test	5000 Cycles (1.3°F)				



Maximum & Minimum Setting

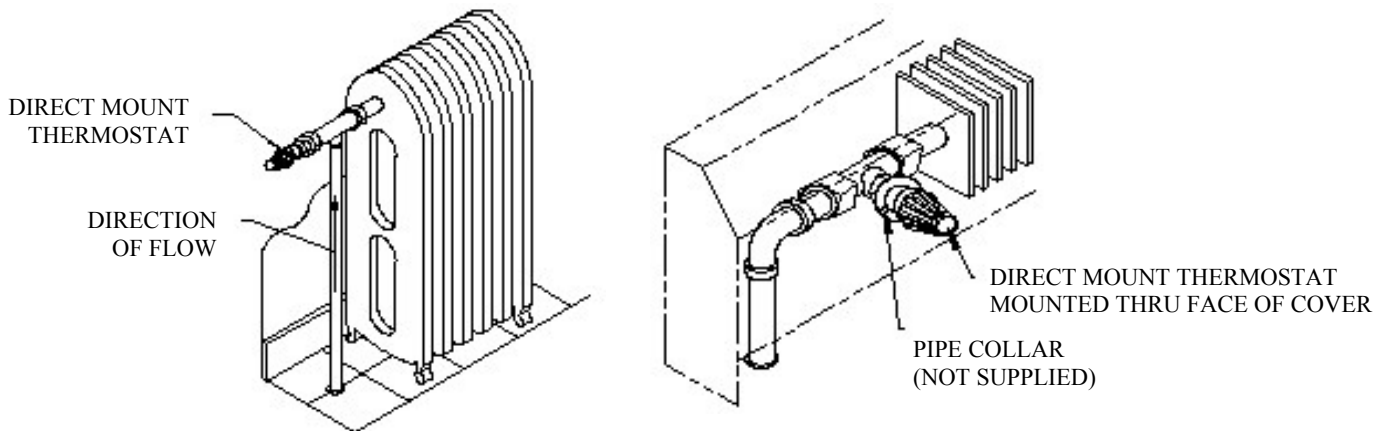
NON-ELECTRIC OPERATORS

Maximum setting

1. Turn the wheel to maximum and a red mark will occur in the indicating window (located opposite the dial setting window).
2. Push the mark in while turning the wheel to desired temperature according to below chart.
3. When reached desired temperature let go of the mark and the maximum temperature limit is set.

Minimum setting

1. Turn the wheel to minimum and a blue mark will occur in the indicating window (located opposite the dial setting window).
2. Push the mark in while turning the wheel to desired temperature according to below chart.
3. When reached desired temperature let go of the mark and the minimum temperature limit is set.



DIAL SETTINGS								
0	*	1	3	5	6	7	8	9
Off	46	54	61	68	72	76	80	82
	Frost Protection							

