

# **(P) 8782A ASSEMBLY DRAWINGS**

**Remove this section for easy reference during assembly.**

---

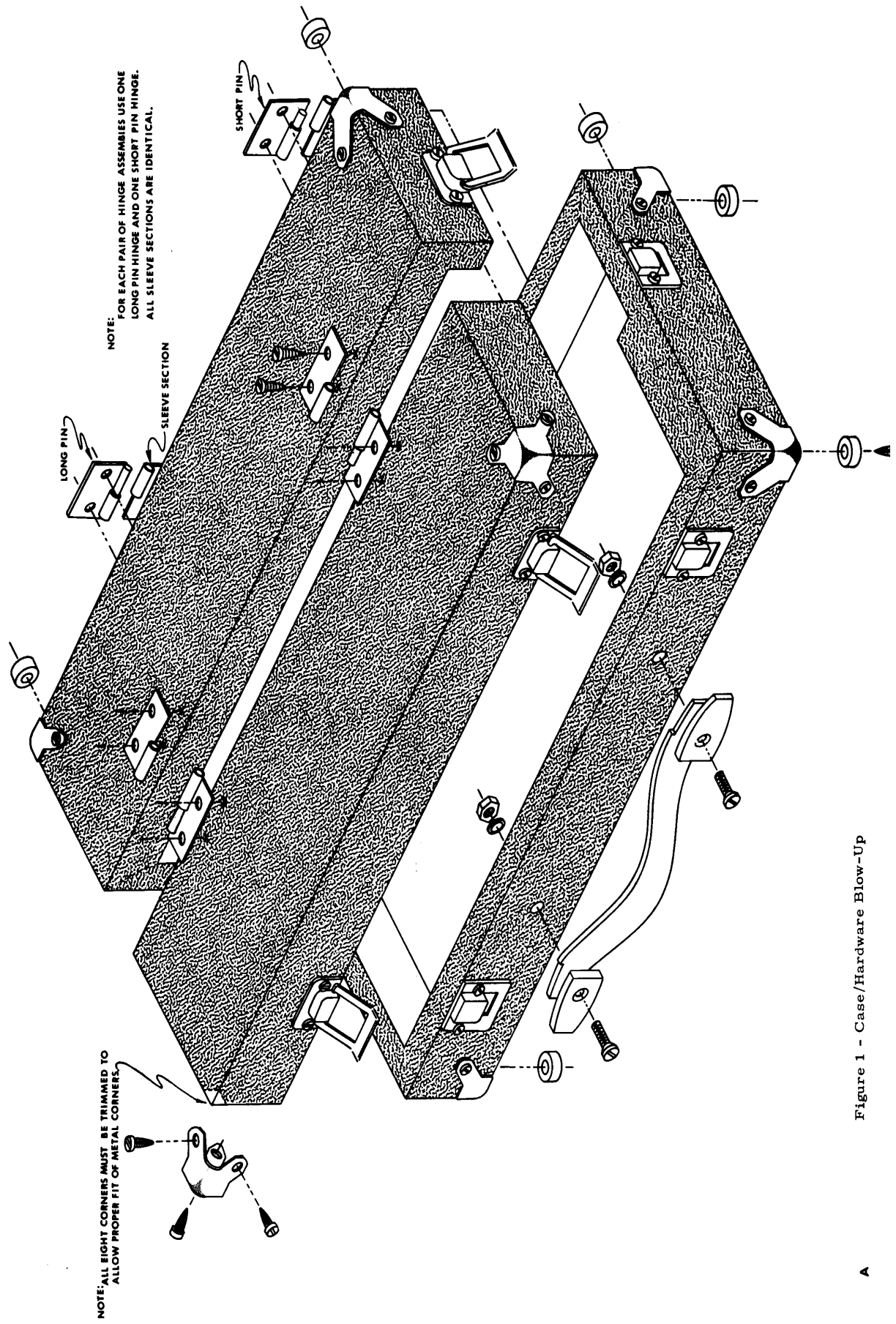


Figure 1 - Case/Hardware Blow-Up

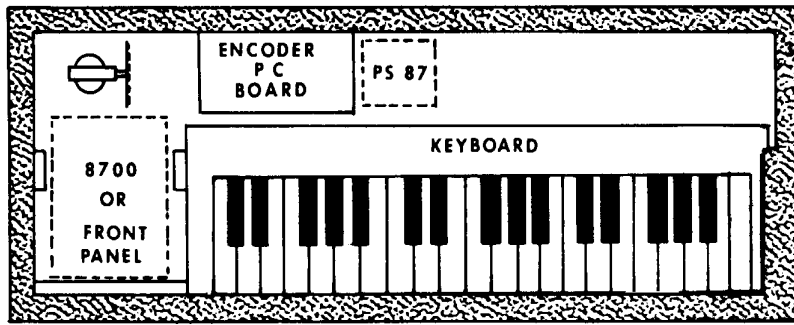


Figure 6

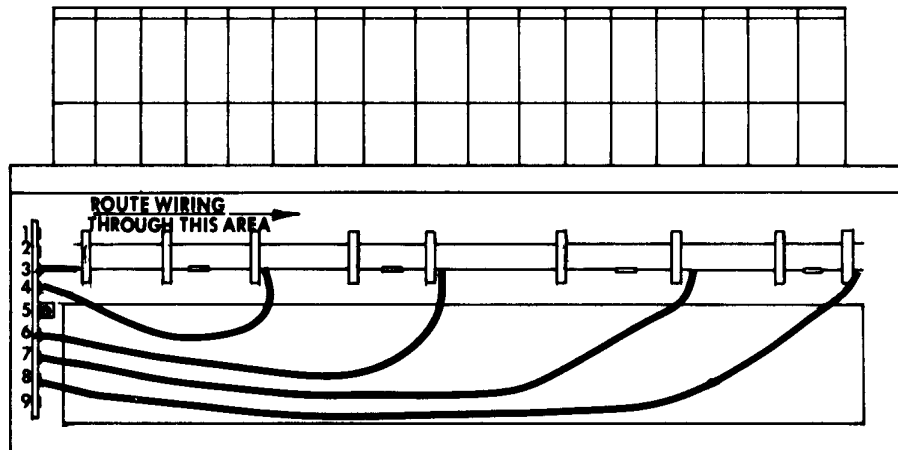


Figure 7



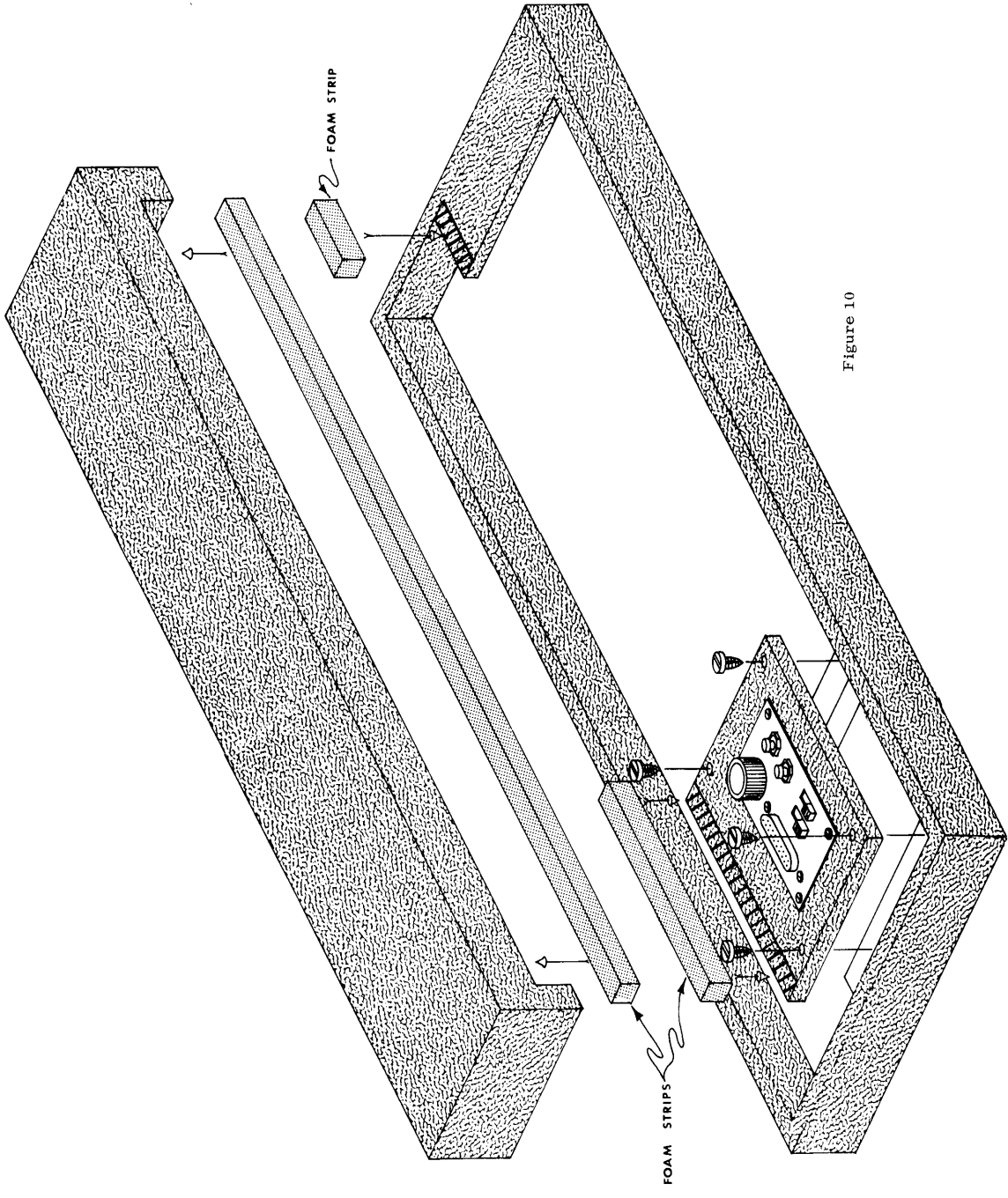
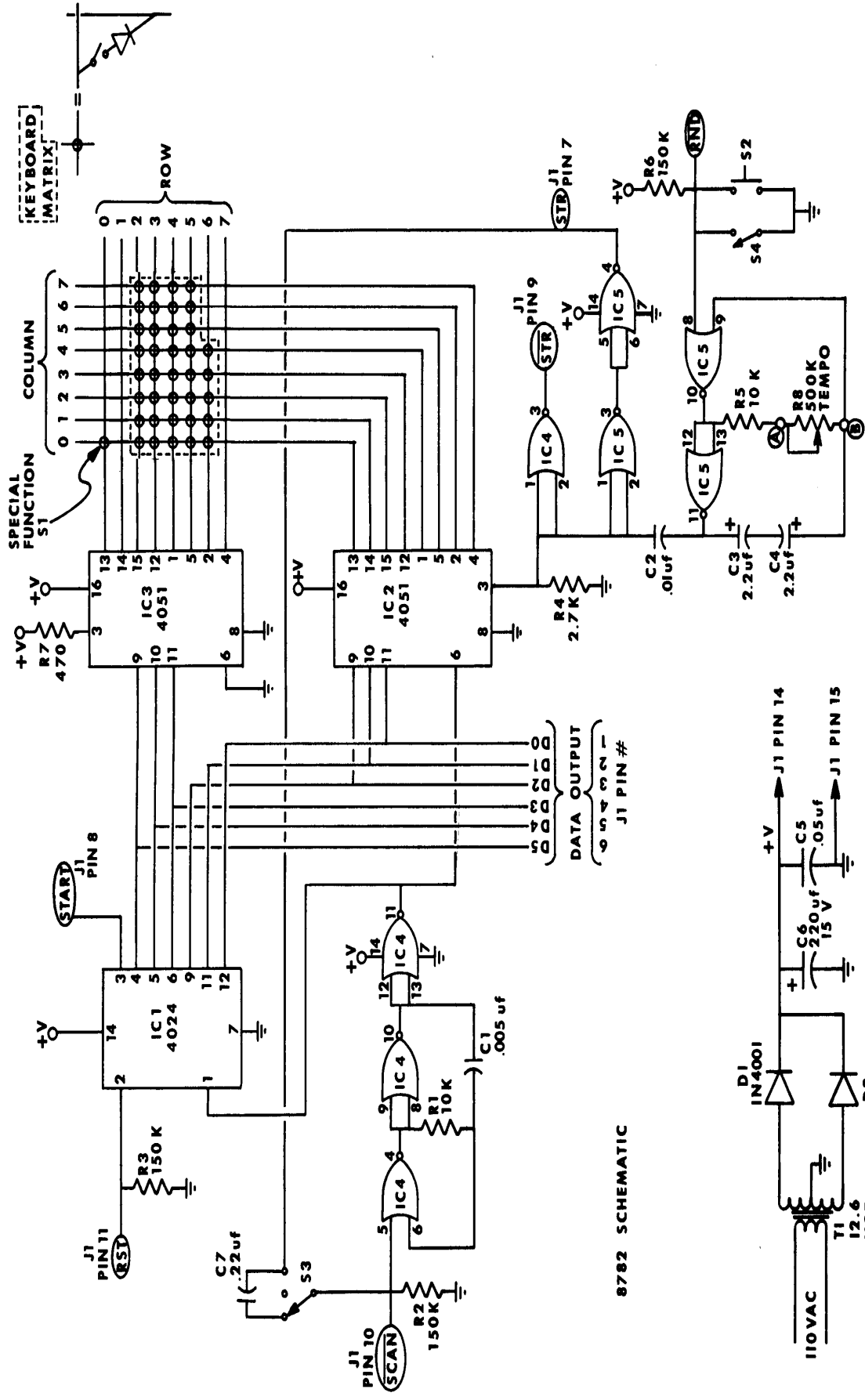


Figure 10



8782 SCHEMATIC

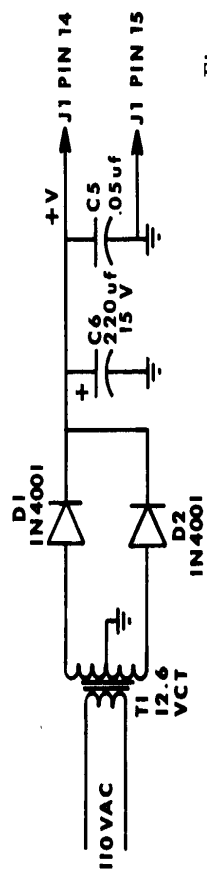


Figure 16